

# SM01,AUS=W/ES1 Security fitting 672 with cylinder cover - mushroom knob/handle

Door fittings

Security fittings with cylinder cover



IKON provides a broad selection of security fittings and escutcheons, with or without cylinder covers. The wide range of IKON fittings is suitable for house and apartment doors, interior and exterior doors and doors made of all conventional materials. It encompasses a variety of handle fittings, a broad range of anodised finishes and colours and a quality spectrum ranging from solid aluminium fittings to premium security steel fittings. Solid steel with drilling protection and internal screw fittings with high tensile resistance form a practically impervious shield for locking cylinders.

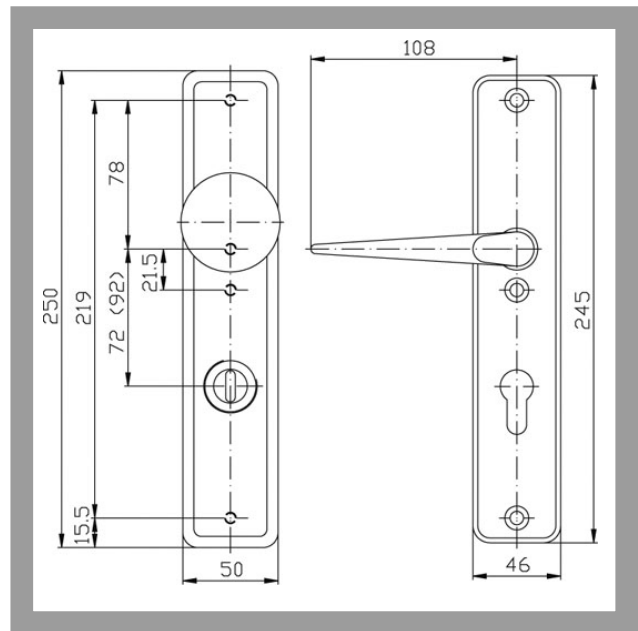
## Area of Application

IKON security fittings with profile locking cylinder cut-out and a cylinder cover ensure that mortise locks and locking cylinders are securely mounted on house and apartment entrance doors. They effectively resist intrusion attempts involving drilling, break-in and extraction of the cylinder.

  
ASSA ABLOY

ASSA ABLOY, the global leader  
in door opening solutions

# SM01,AUS=W/ES1 Security fitting 672 with cylinder cover - mushroom knob/handle



## Product description

- A locking cylinder completely imbedded in the fitting protects against intrusion attempts
- The solid internal steel plate provides effective drilling protection for the mortise lock
- Cylinder cover can be adjusted with thread for cylinder projection from 12 to 16mm
- External backplate thickness 18mm - Internal backplate thickness 7mm
- Distance 72mm with 8mm spindle for apartment entrance doors (ABM=72/8)
- Distance 92mm with 10mm spindle for main entrance doors (ABM=92/10)
- Triple screwed joint
- Standard finish nickel silver (FB=F2)
- Alternative colours: silver (FB=F1) gold (FB=F3), Meta Colour 1003 coated (FB=MC), white RAL 9016 coated (FB=WS)
- Available for standard internal door thicknesses 38-45mm (TS=38-45) and standard external door thicknesses 48-55mm (TS=48-55), prepared for profile cylinder
- Material: aluminium

## Accessories/Individual parts

- A-half spindle with M6-thread ZH 8 A 1M54
- Socket screw ZH 50 1M67

## Compatible ASSA ABLOY products

- Double cylinder .551
- Double cylinder .531

## Scope of delivery

- 1 Set with fixing material



SM01,AUS=W/ES1 Security  
fitting 672 with cylinder  
cover - mushroom  
knob/handle

Article-No.	FB=	TS=	ABM=
SM01 41101	F2	38-45	72/8
SM01 46352	F2	48-55	92/10
SM01 41103	F1	38-45	72/8
SM01 46351	F1	48-55	92/10
SM01 46338	F3	38-45	72/8
SM01 46353	F3	48-55	92/10
SM01 46339	MC	38-45	72/8
SM01 46354	MC	48-55	92/10
SM01 46340	WS	38-45	72/8
SM01 46355	WS	48-55	92/10



ASSA ABLOY  
Sicherheitstechnik GmbH  
Goerzallee 299  
14167 Berlin  
berlin@assaabloy.de  
Tel. +4930 8106-0  
Fax +4930 8106-26 00  
www.assaabloy.de

ASSA ABLOY, the global leader  
in door opening solutions