

HHM Series

HOUSING MOUNTS

The new Honeywell Video Systems HHM Series line of housing mounts are designed to mount the HHC12 environmental camera housings to walls, ceilings and poles. The mounts can support up to 30 lb of loading and are constructed of die-cast aluminum with an epoxy powder coating making them corrosion resistant.

The HHMW13 wall mount features an integrated ball joint that allows easy positioning of the HHC12 environmental housing. The HHMW13 can be mounted to a standard pole using the HHMPMA pole mount adapter or mounted to the outside corner of a building using the HHMCMA corner mount adapter. The HHMC21J ceiling mount is "J" shaped and features an integrated adjustable platform that allows easy positioning of HHC12 environmental housing.

Market Opportunities

The Honeywell HHM Series of camera mounts are designed for mounting the HHC12 Series of environmental housings to a variety of surfaces and structures including ceilings, hollow walls, and concrete surfaces. The attractive design and rugged construction make these mounts suitable for a wide range of indoor and outdoor applications including: parking lots, lobbies, building entranceways, atriums, driveways, loading docks and foyers.

Features

- Aluminum construction
- Support HHC12 Series housings with up to 30 lb of loading
- Integrated friction-controlled adjustable platform
- Contemporary design
- Epoxy powder coated for corrosion resistance
- Indoor and outdoor installations



HHMW13
Wall Mount

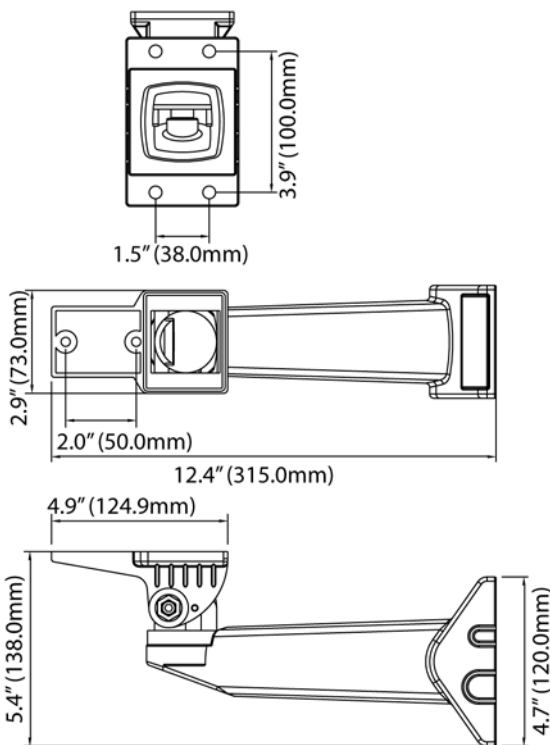


HHMC21J
Ceiling Mount

SPECIFICATIONS

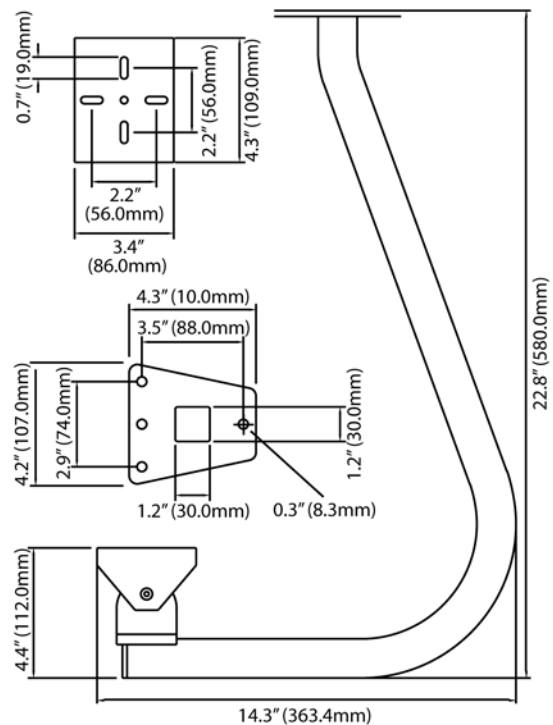
HHMW13 Wall Mount

Mechanical	
Pan	360°
Tilt	70°
Locking Method	Friction pad with through tightening Allen bolt
Enclosure Mounting	1/4"-20 Phillips bolts (hardware provided)
Maximum Load	30 lb (13.6 kg)
Dimensions	See drawings
Weight	1.4 lb (0.6 kg)
General	
Construction	Die-cast aluminum
Finish	Gray, epoxy powder coating



HHMC21J Ceiling Mount

Mechanical	
Pan	360°
Tilt	90°
Locking Method	Friction pad with through tightening Allen bolt
Enclosure Mounting	HEX bolts (hardware provided)
Maximum Load	30 lb (13.6 kg)
Dimensions	See drawings
Weight	4.3 lb (1.95 kg)
General	
Construction	Steel, aluminum mounting plate
Finish	Gray, epoxy powder coating



Ordering

HHMW13	Wall Mount, 13" L, 30 lb. (13.5 kg) max load, gray
HHMC21J	Ceiling "J" mount, enclosure, 23" H, 30 lbs. (13.5 kg) max load, gray

NOTE: Honeywell reserves the right, without notification, to make changes in product design or specifications.

Honeywell Security

Honeywell Video Systems
 2700 Blankenbaker Pkwy, Suite 150
 Louisville, KY 40299
 1.800.796.CCTV
 www.honeywell.com

HV05281
 L/HHMMNT1/D
 January 2006
 ©2006 Honeywell International Inc.