

IQ8Control C Fire Alarm Panel

- **State-of-the-art processor technology**
- **Maximum cable length for esserbus®: 3,500m**
- **Graphics supported, high performance programming tool**
- **Innovative alarm signalling by means of new IQ8Quad detector generation**
- **Supports IQ8Wireless Radio Technology and IQ8Quad detectors with alarm devices**
- **A maximum of 31 control panels can be networked via essernet (500k baud)**
- **Up to two esserbus loops, which can be extended by spurs**
- **Micro modules compatible both for System 8000 and IQ8Control**
- **Modular space saving design**



compact, flexible and future-proof

The IQ8Control C fire alarm panel complies with the highest security requirements for complex detection purposes and reliable technology standards. As an all-rounder within the market segment for automatic fire protection in small and medium-size premises, the control panel is provided with multiple features such as compact dimensions, a broad functional range and multiple expansion options as well as an excellent cost/performance ratio.

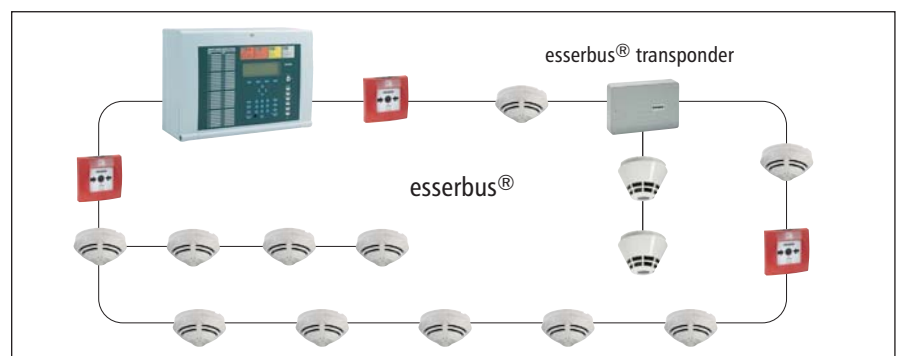
The IQ8Control C is completely compatible to the fire alarm system 8000 control panels. The modular design allows flexible and user friendly integration of various modules, which together from one unit. Each system extension and the emergency power supply can be adjusted to suit advanced require

The economic fire detection solution:

ments by adding one or more modules. Both features ensure individual planning and guarantee a future-proof solution in the domain of fire alarm technology. If required, the control panel software can be replaced by an upgrade version via PC.

Professional loop technology ensures economic efficiency even for small applications

The IQ8Control C fire alarm panel is designed in compliance with high performance loop technology. The esserbus is a short and open circuit resilient loop, offering highest operational reliability as well as cost saving installation options on account of reduced wiring through combined loop and spur topologies. All single-criterion and multi-criteria detectors can be connected via the esserbus - this includes everything from Series 9000 standard fire detectors to Series 9200 intelligent fire detectors and IQ8Quad detectors.



IQ8Control C Fire Alarm Panel

Flexibility and reliability within the loop structure

The esserbus® allows a combined loop and spur structure with a maximum length of 3.5km. Up to 127 bus devices can be divided in up to 127 detector zones, which guarantees a high degree of planning and application flexibility. Each IQ8Quad detector is supplied with isolators, while other bus devices can be optionally provided with isolators. Thus, each bus device remains operative in case of wire break or short circuit. Only the corresponding part of the loop located between the affected bus devices with isolators is replaced

The esserbus® transponders are bus devices with freely programmable inputs and outputs for controlling and monitoring external devices or for connecting special detectors. Sensors integrated in single detectors within the esserbus system are subject to manual or time-related activation /deactivation. The esserbus® is suitable for transmitting alarm, fault and maintenance signals. In addition, each detector's position within the bus system can be allocated when viewing the corresponding text display.

Logged security

Each event is logged by the IQ8Control C fire alarm panel in second intervals. A maximum of 10,000 events can be verified at any time and subsequently read out via an optional printer connection within the control panel or via the tools 8000 programming software. The information can then be stored on a data carrier if required.

essernet

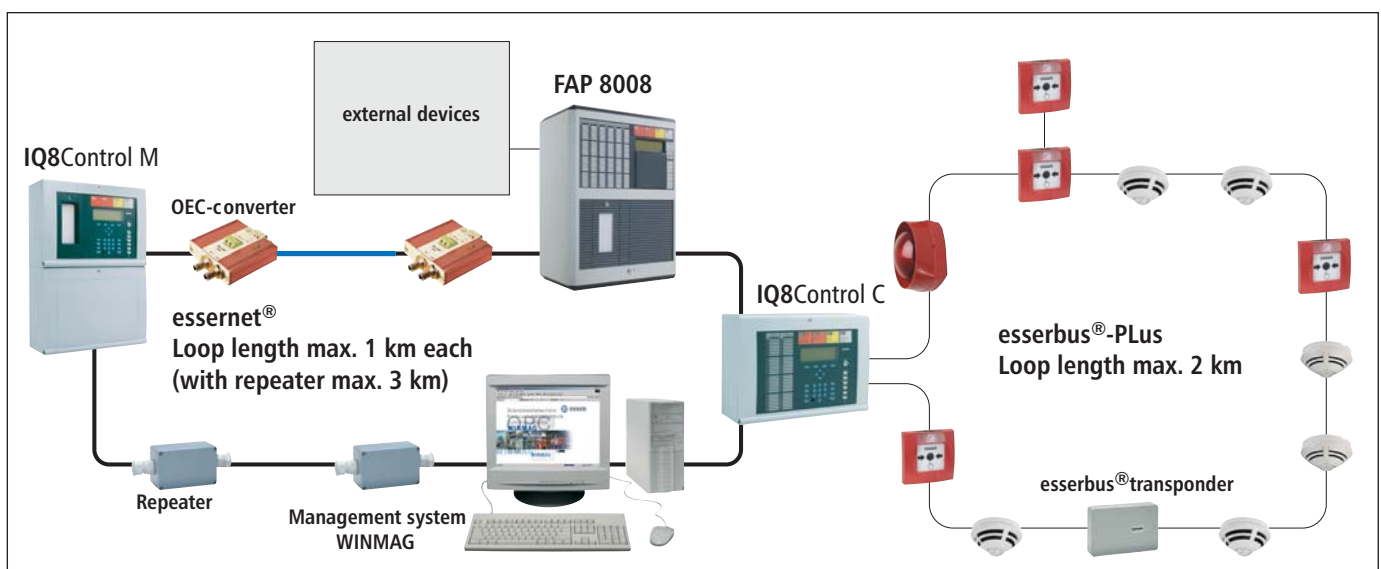
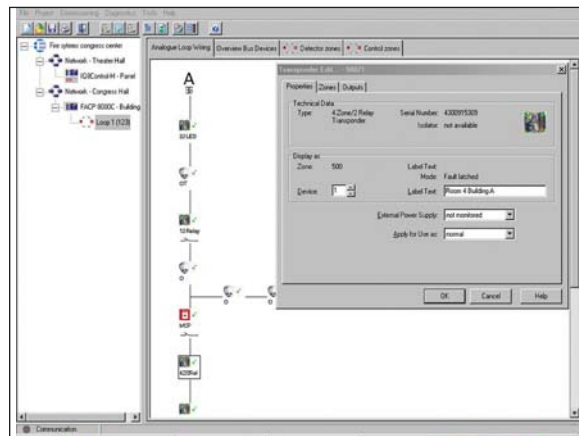
Within the essernet® system up to 31 devices such as control panels, indicating and operating panels, gateways as well as user file depositories can be networked irrespective of hierarchical levels. Events and reports are available for all devices when connected to the essernet.

Easy installation and operation

The tools 8000 service and programming software package guarantees fast and simple commissioning. The settings are programmed directly at the control panel via a PC / laptop.

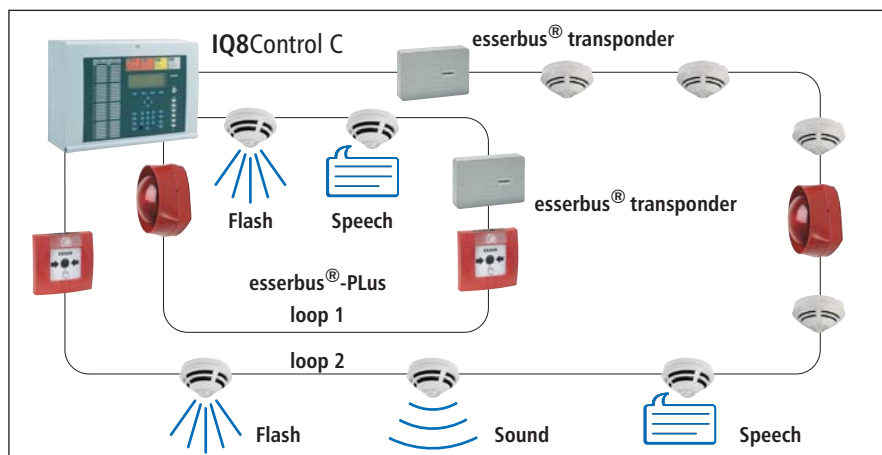
Only essential information is displayed, which considerably facilitates system operations. When connected to the essernet®, decentralised operation is also possible. Optionally, alarm and status information can be displayed via single zone indicators at the control panel, via decentralised graphic layout panels or plain text displays.

It might as well be printed out using remote printers or the printer integrated in the control panel.



Innovative alarm signalling and evacuation

Innovative integration for optical and acoustic signalling devices, which are consistently installed via the powered loop network, is ensured by bus supplied alarm signalling devices and the IQ8Control C fire alarm panel. Thus, the IQ8Control C fire alarm panel and the IQ8Quad fire detectors provide an economic solution by means of minimised installation expenses.



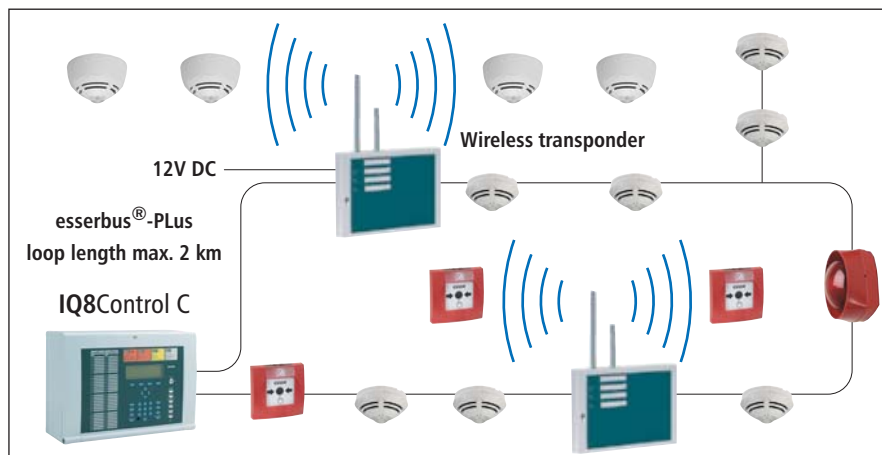
All addressable alarm signalling devices comply with EN 54-3. They support alarm tones in compliance with DIN 33404-3 and another 18 international alarm tones with a standard sound pressures of up to 96 dB (A).

Trouble-free radio technology integration

When connecting radio communication devices to the IQ8Control C fire alarm control panel, all devices remain individually addressable as usual and the whole functional range is maintained while each radio communication device is allocated only one address. For planning purposes and commissioning, the tools 8000 programming software package is implemented. When using the software solution, the respective field strength can be measured. Automatically generated frequency modifications secure trouble-free communication between the radio communication devices. In terms of system expansion, the radio communication devices serve as an ideal solution for maintaining unrestricted functionality of all previous installations and further features can be added to the functional range.

The IQ8Quad detector with integrated alarm signalling devices and its key features:

- an external power supply unit for the signalling devices is not required
- flasher, sounder and speech alarm device can be individually controlled
- each device with the whole functional range
- alarm signalling devices are automatically synchronised



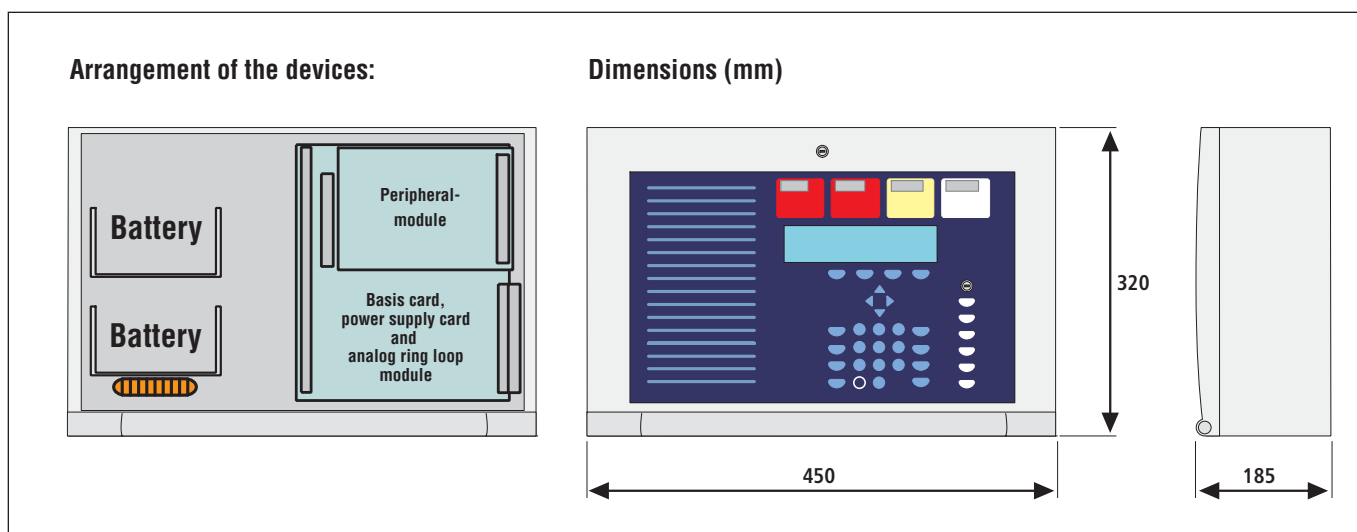
A variety of operating panel fronts: optimum solution for providers and fire services

The wide range of operating panel fronts offers the an optimum solution for all requirements set up by the providers and fire services. Therefore, it



perfectly bridges the gap between man and technology.

The operating panel fronts are available in various languages. Each text is displayed in the respective language on the standard display or the 1/4-VGA graphics display.



Specifications

Mains voltage:	230V AC
Mains frequency	50 to 60Hz
Rated voltage:	12V DC
Quiescent current:	300mA without operating panel
Rated current:	0.7 A
Emergency power supply:	2 x 12Ah, (max. 2 x 24Ah, in 789300 extension housing)
Current drain for external users:	max. 2.0 A
Ambient temperature:	-5°C to +45°C
Storage temperature:	-5°C to +50°C
Room climate:	class 3K5 as per IEC 721-3-3: 1994
Class of protection:	I in compliance with DIN EN 60950
Type of protection:	IP 30
Housing:	ABS, 10% glass fibre reinforced., V-0
Colour:	grey, similar to Pantone 538
Weight (without battery):	6.5kg
Dimensions (W x H x D):	450mm x 320mm x 185mm
VdS approval:	G 299044

Order Informations:

	Item No.
Fire alarm panel IQ8Control C basic design, without operating front	808003
Fire alarm panel IQ8Control C basic design, without operating front, 19" installation	808139
Package 1 IQ8Control C, 2 micromodule slots	808020
Extension housing for batteries and SZI 192 detector zones	789301
Extension housing for SZI 192 detector zones	789302
Peripheral module with 1 additional micromodule slot	772477
Extension module with 1 additional micromodule slot	772478
Peripheral module	772479
tools 8000 Package	789860

For further information, please consult the current Fire Alarm Technology catalogue.