

## IQ8Quad with integrated alarm devices

---

- Fire detectors designed with proven O<sup>2</sup>T technology
- Integrated signalling device with flasher / alarm tone / speech
- External power supply for signalling device not required
- Flashing light, audible alarm and speech alarm devices can be individually controlled
- Only one address is required despite the wide functional range
- Automatic alarm device synchronisation
- Programmable sound pressure (up to 92 dB(A) at 1m)
- Alarm and evacuation message can be combined as desired with up to four alarm signals
- Alarm sounds as well as speech messages can be combined as signal segments
- The alarm and evacuation message can be combined as desired with up to four alarm signals
- 5 different speech messages in 5 different languages



---

### Description

The automatic IQ8Quad fire detectors are designed with proven O<sup>2</sup>T multisensor technology and are suitable for a wide range of applications. As a consequence, each IQ8Quad detector is tailored to the respective environmental conditions of different application areas and guarantees fast and intelligent detection. Besides its adaptive characteristics, the IQ8Quad detector provides multi-purpose visual-acoustic alarm devices: Alarms can be signalled optically (flash) or acoustically (alarm tone / speech).

### Flasher for optical alarm signalling

Discreet whilst inactive and not to be overlooked in the case of an alarm: The built-in flash (F) serves as an optical alarm device. The 360° flasher replaces the conventional separate flasher, and thereby reduces additional installation and material costs..

### Sounder for acoustic alarm signalling

The acoustic alarm signalling device (So) with up to 92dB(A) meets all requirements in terms of high-level security standards and offers alarm tone signals

in accordance with EN 54 Part 3. This integrated alarm signalling device means that conventional separate acoustic alarm devices are not required in most applications, and thus a reduction in installation and material costs as well as time is achieved.

### Speech alarm messages

An important contribution to security is achieved by combining the alarm sound with simultaneous voice messaging. The IQ8Quad provides pre-programmed alarm messages (Sp), in order to save vital seconds in the case of an alarm. In addition to the standard messages (5 messages in 5 languages), it will be possible to program individual customer-specific messages - depending on local conditions - in the future. Thus, multilingual messages will contribute to an alarm signalling technology that is geared to the individual project requirements, and guarantee fast and safe evacuation.

### Application areas

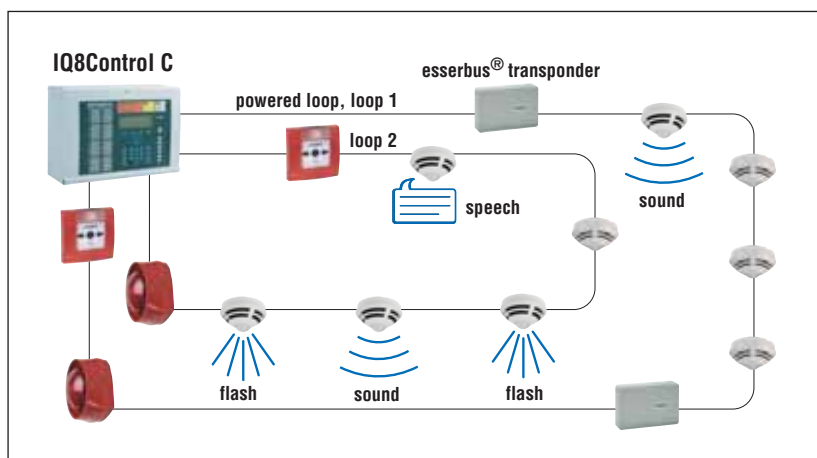
Automatic IQ8Quad fire detectors are designed for installation in premises, where reliable detection with local alarming is required in the case of an alarm. For example:

- catering premises, hotels and offices
- large kitchens
- hospitals and senior residences
- industrial plants

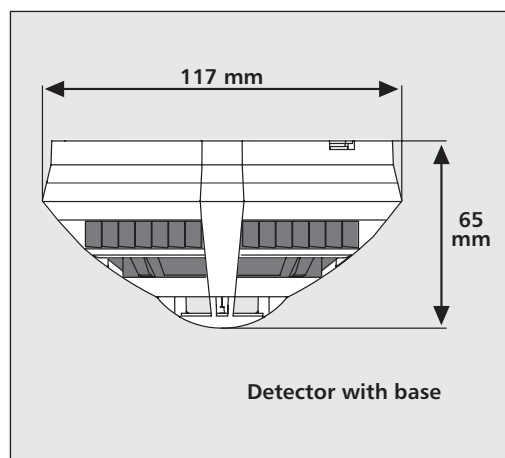
### Easy installation and extension

The automatic IQ8Quad fire detector is mounted on the corresponding standard detector base and is integrated into the analogue loop of the IQ8Control fire alarm system \*. Detectors already installed in the loop can be replaced if required, in order to install additional alarm devices. The analogue loop (esserbuss®-PLus) supplies power to the alarm devices. Additional wiring is not required.

\* Operation on the older fire alarm systems of the Series 8000 is not possible.



System configuration example



Dimensions

## Specific technical data

Type:	O <sup>2</sup> T/F	O <sup>2</sup> T/So	O <sup>2</sup> T/Sp	O <sup>2</sup> T/FSp
Part-No.:	802383	802384	802386	802385
Quiescent current at UN approx.:	75 µA	80 µA	90 µA	90 µA
Load factor:	1.2	2.2	3	3
Sound level (1 m at DIN Tone):	-	92 dB(A) +/- 2 dB	92 dB(A) +/- 2 dB	92 dB(A) +/- 2 dB
VdS - No.:	G 205111	G 205111	G 205111	G 205111

## General technical data

Operating voltage:	8 - 42 V DC
Rated voltage:	19 V DC
Alarm current w/o communication:	approx. 18 mA
Max. area to be monitored:	110 m <sup>2</sup>
Max. height to be monitored:	12 m
Storage temperature:	-25°C up to +75°C
Application temperature:	-20°C up to +65°C
Type of protection:	IP42 (with base)
Material:	ABS
Colour:	white, similar RAL 9010
Weight:	approx. 110 g
Housing dimensions w/o base:	Ø=117 mm, H=59 mm
Housing dimensions base included:	Ø=117 mm, H=65 mm
Detector specification:	EN 54-7/3 B, CEA 4021

## Ordering Data

	Part No.
O <sup>2</sup> T/F - multisensor alarm with flasher	802383
O <sup>2</sup> TSo - multisensor alarm with sounder	802384
O <sup>2</sup> T/Sp - multisensor alarm with sounder and speech messages	802386
O <sup>2</sup> T/FSp - multisensor alarm with flasher, sounder and speech messages	802385
Standard detector base	805590

Further information is provided in our Fire Alarm Technology catalogue