

IQ8Quad

- **Reliable and early fire detection with patented multisensor technology**
- **Automatic adaptation to changing environmental conditions**
- **Automatic monitoring of all sensors to guarantee operational capacity and correct condition**
- **Short-circuit tolerant through integrated loop isolators**
- **Signal patterns of non-fire situations eliminated by using special filter algorithms**
- **Integrated counters for fire, faults and operating time**
- **Easy installation and programming**
- **Efficient power management results in extremely low battery capacity requirement in fire alarm panels**



Effective and innovative technology lays the foundation for highest security standards

A new dimension in terms of reliability and performance: Combining multiple sensors in one unit the new IQ8Quad detector generation is the centrepiece in every fire alarm system.

Irrespective of the application, the IQ8Quad detector range provides the ideal solution. The design of each IQ8Quad variant is tailored to different environmental conditions so that the individual detection principles meet the respective requirements.

Easy installation and secure investment

Despite its slim housing, the IQ8Quad mounts on a large mounting base, offering more wiring space as well as simple linking options within the base for wires that are not in use.

Detectors can be simply replaced without disconnecting the other loop devices.

As a result, initial installation tests can be performed before any IQ8Quad detector is connected.

The IQ8Quad detector generation is tailored to the requirements of IQ8Control and series 8000 control panels. When using tools 8000, the detector topology is read and the data is stored within the system, allowing remote programming and diagnosis.

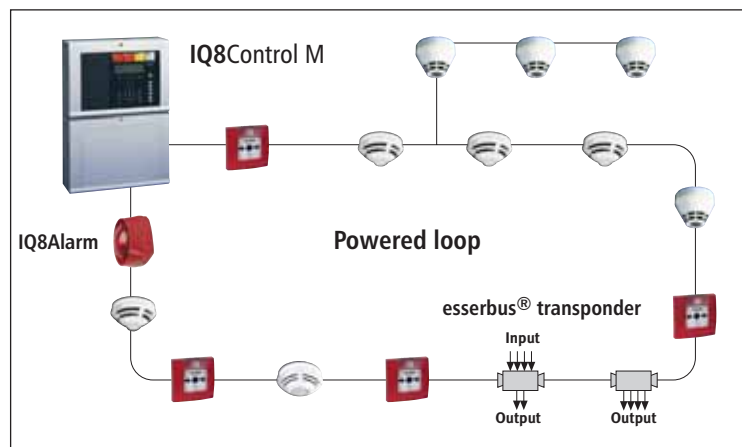
IQ8Quad - the esserbus® detector

Powered loop - currently the most secure and economic form of alarm signalling: All system components are connected as fully addressable users on one loop instead of being spread across different spurs. This allows short and open circuit resilient power supply for alarm signalling devices to be taken from the 2-wire analogue loop. Thus, various additional circuits, transponders and power supply units become redundant and installation time is reduced to an absolute minimum.

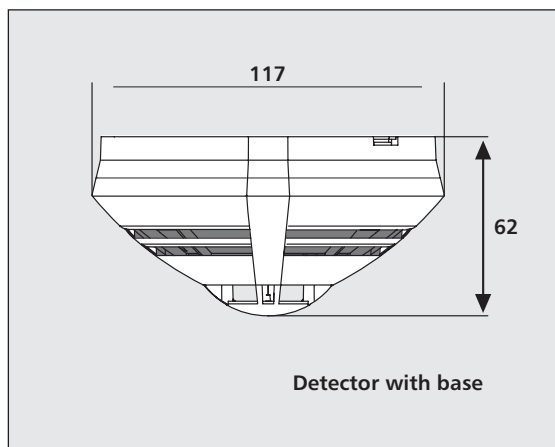
Up to 127 loop devices can be operated on one loop. Consequently, mixed operation between IQ8Quad and series 9200 detectors is possible.

- O - optical detectors for safe and early fire detection
- T - heat (temperature) detectors for detecting fires with both fast and slow rise in temperatures
- O²T - false-alarm-proof optical heat detectors for detecting light and dark smoke in difficult environmental conditions
- OTG - optical heat detectors with built-in gas sensor for detecting carbon monoxide

Schematic loop diagram:



Dimensions (mm):



Technical Data

Type	TM	TD	O	OT	O T	OTG
Part No.:	802171	802271	802371	802373	802374	802473
Operating voltage:	8 - 42 V DC	8 - 42 V DC	8 - 42 V DC	9 - 42 V DC	8 - 42 V DC	8 - 42 V DC
Quiescent current at UN approx.:	40 µA	40 µA	50 µA	50 µA	60 µA	65 µA
Max. area to be monitored:	30 m ²	30 m ²	150 m ²	150 m ²	150 m ²	150 m ²
Max. height to be monitored:	7,5 m	7,5 m	12 m	12 m	12 m	12 m
Application temperature:	-20°C to +50°C	-20°C to +50°C	-20°C to +72°C	-20°C to +50°C	-20°C to +65°C	-20°C to +50°C
Response temperature (1°C /min):	+54°C to +65°C	+54°C to +65°C	-	+54°C to +65°C	+79°C to +88°C	+54°C to +65°C
VdS - No.:	G 204058	G 204059	G 204060	G 205070	G 204061	G 205072

General technical data

Rated voltage:	19 V DC
Alarm current w/o communication:	approx. 18 mA
Storage temperature:	-25°C to +75°C
Type of protection :	IP 42
Material:	ABS
Colour:	white, similar RAL 9010
Weight:	approx. 110 g
Dimensions w/o base:	Ø=117 mm, H=49 mm
Dimensions base included:	Ø=117 mm, H=62 mm

Accessories IQ8Quad

	Part No.
Standard detector base	805590
Detector base with relay contact	805591
Flush mount housing for detector base	805571
Label plate for detector base	805576
IP protection for detector base	805570

Further information is provided in our fire alarm catalogue.