

# P021,AUS=LH27 Cylinder padlock - system P0

Mechanical locking cylinders

Padlocks



A padlock enables you to protect valuables inside and outside a building. IKON provides optimum security - conveniently and safely. IKON padlocks can be employed flexibly and are ideal for securing valuables, even in remote locations. They are available for internal use and as corrosion protected versions for external use. IKON can supply a wide range of padlocks (e.g. as numerical combination locks or padlocks with variable shackle heights for different applications).

## Area of Application

Different IKON padlock versions provide the best solution for every application. IKON padlocks are especially suitable for locking cellars and basements, stables and small gardens, tool sheds and boat houses or wardrobes. Tool trolleys, building vehicles and trailers or oil tank and machine protection equipment is also ideally secured with IKON padlocks. Their weather resistance also makes them ideal for external use on

## Area of Application

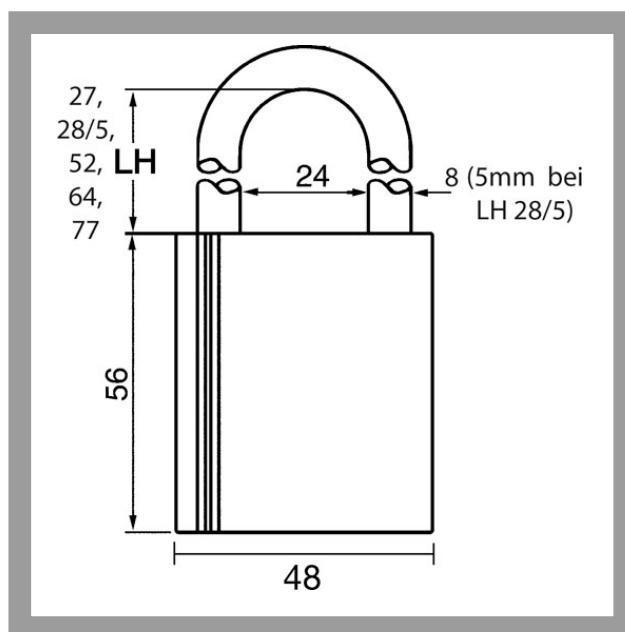
The various IKON padlock versions provide the appropriate solution for every application. IKON padlocks are especially suitable for locking cellars and basements, stables and allotments, tool sheds and boat houses or wardrobes. You can also secure tool trolleys, construction vehicles and trailers or oil tank and machine protection equipment with IKON padlocks perfectly.

  
**ASSA ABLOY**

ASSA ABLOY, the global leader  
in door opening solutions

# P021,AUS=LH27 Cylinder padlock - system P0

With positive locking - key can only be extracted when locked



## Product description

- 5 pin tumblers
- Brass cylinder
- Brass housing
- Matt chrome-plated surface
- Standard housing colour black chrome
- Clear vertical shackle height 27 mm
- Other shackle heights (AUS=LH52, 64, 77, 28/5)
- Steel shackle, diameter 8mm, hardened and chrome-plated
- Steel shackle diameter 5mm at shackle height 28mm (AUS=LH28/5), hardened and chrome-plated
- Available for individual lockings and locking systems
- Available for individual locking with standard locking (AA=NML) without security card or restricted locking (AA=SP) with security card
- Available for locking systems in different system types (AA=...)
- Locking wave (SW=), additional lateral scanning and security card depending on profile (PR=)
- Key with square metal head
- Tapered cylinder core head with reinforced key guide
- Core pins made of special wear-resistant bronze

## Compatible ASSA ABLOY products

- Maintenance spray 8511
- Steel cable without padlock 9M74

## Scope of delivery

- 1 cylinder padlock
- 2 nickel silver keys



# P021,AUS=LH27 Cylinder padlock - system P0

With positive locking - key can only be extracted when locked

Current profiles for individual locking

Profile (PR=)	Standard profile N1.	Standard profile AEP10
<b>Profile version</b>	70	71
<b>With security card</b>	No	Yes
<b>included</b>		
Drilling protection (AB=)	optional	0+1
Emergency device (GE=)	optional	optional
Locking wave (SW=)	-	-
VdS class	-	-
RAL quality symbol	-	-
DIN class	-	-
<b>Modular system (GBK=)</b>	-	-
<b>Additional lateral pins</b>	-	-
<b>Factory-keyed profile/Client profile</b>	Factory-keyed profile	Factory-keyed profile
<b>Key head shape</b>	Square	Square



ASSA ABLOY  
Sicherheitstechnik GmbH  
Goerzallee 299  
14167 Berlin  
berlin@assaabloy.de  
Tel. +4930 8106-0  
Fax +4930 8106-26 00  
www.assaabloy.de

ASSA ABLOY, the global leader  
in door opening solutions