

P034,KNF=2 Knob cylinder - system P0

Mechanical locking cylinders

Knob cylinder



Small tapered knob with 28 mm diameter



Locking cylinders form the core element of secure locking systems and represent IKON's core competency. The product range meets challenging security requirements with sophisticated solutions. High-quality IKON locking cylinders provide high protection against intruders. Standard equipment in this respect includes anti-drilling devices, security cards and panic functions. Patented profiles are a direct result of decades of experience gained in precision engineering and are effectively equipped against even the latest intrusion or burglary techniques. These features include innovative VECTOR profiles and the IKON reversible key profile WSW-W10.

Area of Application

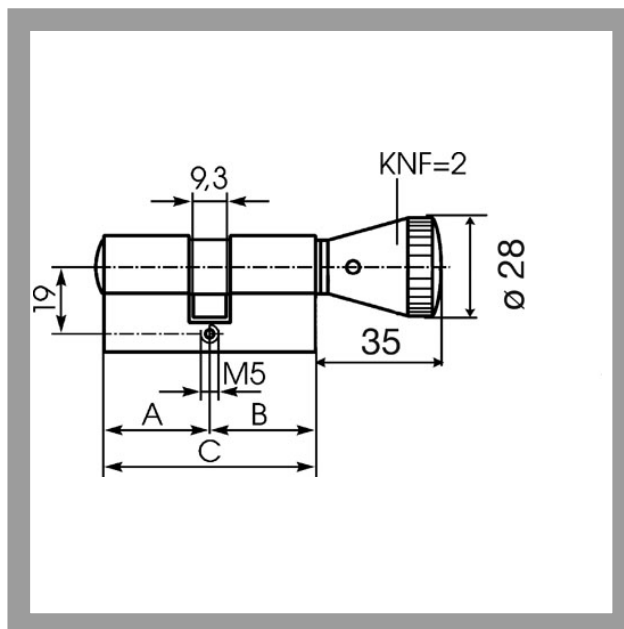
Knob cylinders are frequently used for conference rooms, hotels or care homes and apartment doors. The inner rotary knob is used for simple locking of the door, therefore a key is not required for indoors. IKON supplies different knob designs, ranging from knurled to recessed handle knobs. Due to their characteristics, knob cylinders are especially suitable and easily operated by the young and the elderly.


ASSA ABLOY

ASSA ABLOY, the global leader
in door opening solutions

P034,KNF=2 Knob cylinder - system P0

Small tapered knob with 28 mm diameter



Product description

- 5 pin tumblers
- Brass cylinder
- Standard knob colour satin nickel-plated (KNF=2MV)
- Other knob colours: brass, mat brushed (KNF=2MG), polished brass (KNF=2MP)
- Standard finish, satin nickel-plated (OF=MV)
- Other surfaces: brass, mat brushed (OF=MG), polished brass (OF=MP)
- Basic cylinder length 61mm (C) - A/B (L=30/30) other installation lengths available
- Standard cam position (SST=30°)
- Knob shaft extension in mm (KWV=20, 30, 40, 50, 60, 70, 80, 90, 100)
- Available for individual lockings and locking systems
- Drilling protection (AB=), additional lateral scanning, security card depending on profile (PR=)
- Key with square metal head
- Tapered cylinder core head with reinforced key guide
- Cam made of break and corrosion-resistant sinter metal
- Core pins made of special wear-resistant bronze

Accessories/Individual parts

- Cylinder fixing screw 1149

Compatible ASSA ABLOY products

- Maintenance spray 8511
- Garage rod lock standard package 9M31
- Protector bar DRS 8443
- Protector bar DRS 8444
- Protector bar DRS 8446
- Protector bar DRS 8447
- Protector bar DRS 8448
- Protector bar DRS 8449
- Escutcheon with rain protection cover 1279
- Escutcheon with rain protection cover and toggle lock 1288

Scope of delivery

- 1 knob cylinder
- 3 nickel silver keys
- 1 cylinder fixing screw M5 x 85mm



P034,KNF=2 Knob cylinder - system P0

Small tapered knob with 28 mm diameter

Current profiles for individual locking

Profile (PR=)	Standard profile N1.	Standard profile AEP10
Profile version	70	71
With security card	No	Yes
included		
Drilling protection (AB=)	optional	0+1
Emergency device (GE=)	optional	optional
Locking wave (SW=)	-	-
VdS class	-	-
RAL quality symbol	-	-
DIN class	-	-
Modular system (GBK=)	-	-
Additional lateral pins	-	-
Factory-keyed profile/Client profile	Factory-keyed profile	Factory-keyed profile
Key head shape	Square	Square



ASSA ABLOY
Sicherheitstechnik GmbH
Goerzallee 299
14167 Berlin
berlin@assaabloy.de
Tel. +4930 8106-0
Fax +4930 8106-26 00
www.assaabloy.de

ASSA ABLOY, the global leader
in door opening solutions