

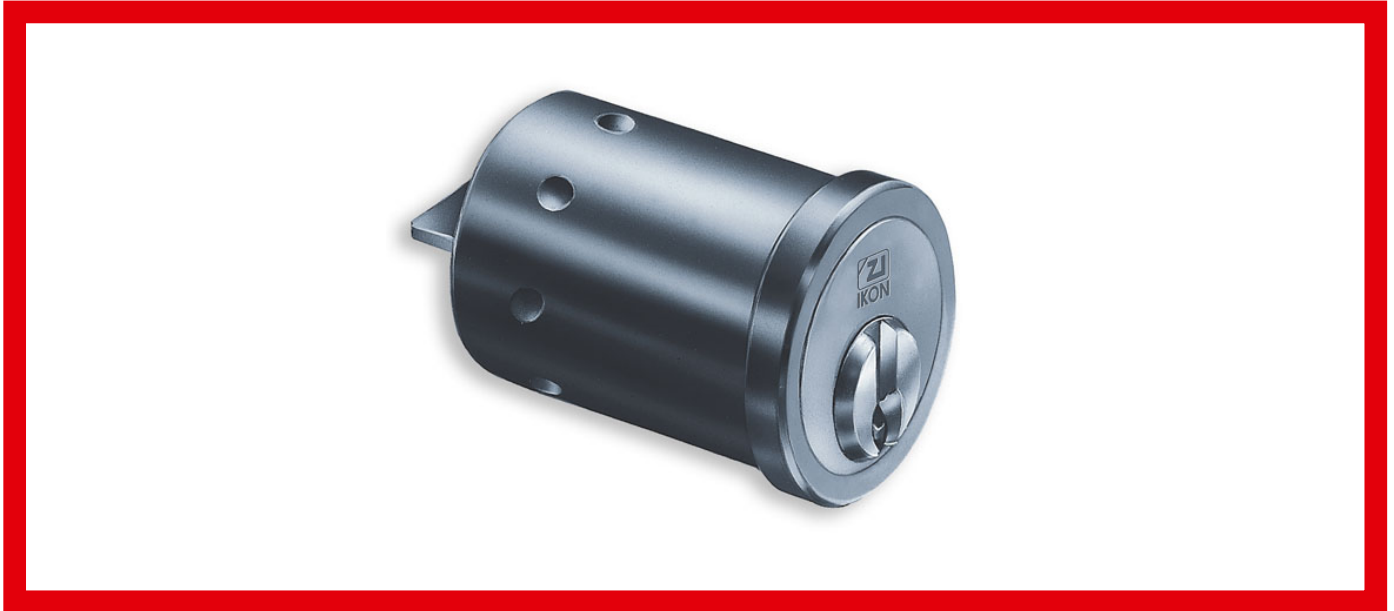
P042 Switching cylinder - system P0

Mechanical locking cylinders

Switching cylinder



29mm diameter



Locking cylinders form the core element of secure locking systems and represent IKON's core competency. The product range meets challenging security requirements with sophisticated solutions. High-quality IKON locking cylinders provide high protection against intruders. Standard equipment in this respect includes anti-drilling devices, security cards and panic functions. Patented profiles are a direct result of decades of experience gained in precision engineering and are effectively equipped against even the latest intrusion or burglary techniques. These features include innovative VECTOR profiles and the IKON reversible key profile WSW-W10.

Area of Application

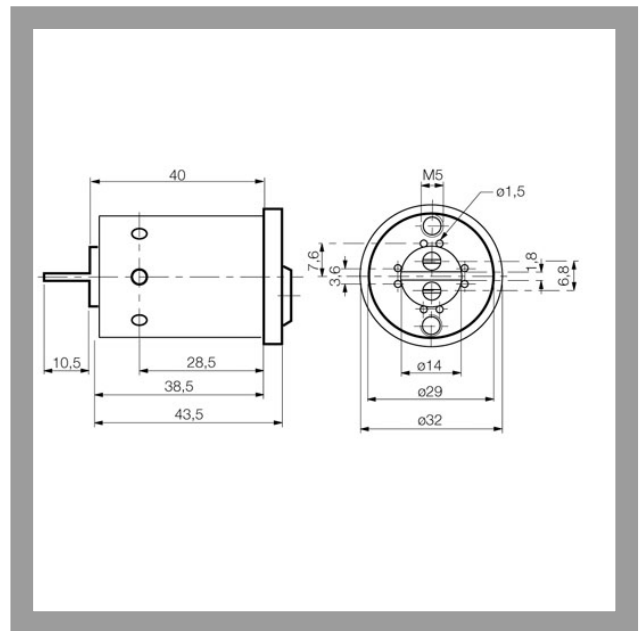
Switching cylinders are mainly used for electrical equipment, switching systems or lift controls. IKON supplies different switch cylinder versions to suit various areas of application.


ASSA ABLOY

ASSA ABLOY, the global leader
in door opening solutions

P042 Switching cylinder - system P0

29mm diameter



Product description

- 5 pin tumblers
- Brass cylinder
- Standard finish, satin nickel-plated (OF=MV)
- Bespoke finishes not available
- Up to 8 switching and key withdrawal positions (8x45°) can be achieved by drilling to a diameter of 4.5 mm at the required positions. Length of cam latch (x) 12 mm (P042 and P642 10,5mm).
- Available for individual lockings and locking systems
- Key with square metal head
- Tapered cylinder core head with reinforced key guide
- Core pins made of special wear-resistant bronze

Compatible ASSA ABLOY products

- Maintenance spray 8511

Scope of delivery

- 1 switching cylinder
- 2 nickel silver keys



P042 Switching cylinder - system P0

29mm diameter

Current profiles for individual locking

Profile (PR=)	Standard profile N1.
Profile version	70
With security card	No
included	
Drilling protection (AB=)	optional
Emergency device (GE=)	optional
Locking wave (SW=)	-
VdS class	-
RAL quality symbol	-
DIN class	-
Modular system (GBK=)	-
Additional lateral pins	-
Factory-keyed profile/Client profile	Factory-keyed profile
Key head shape	Square

ASSA ABLOY
Sicherheitstechnik GmbH
Goerzallee 299
14167 Berlin
berlin@assaabloy.de
Tel. +4930 8106-0
Fax +4930 8106-26 00
www.assaabloy.de



ASSA ABLOY, the global leader
in door opening solutions