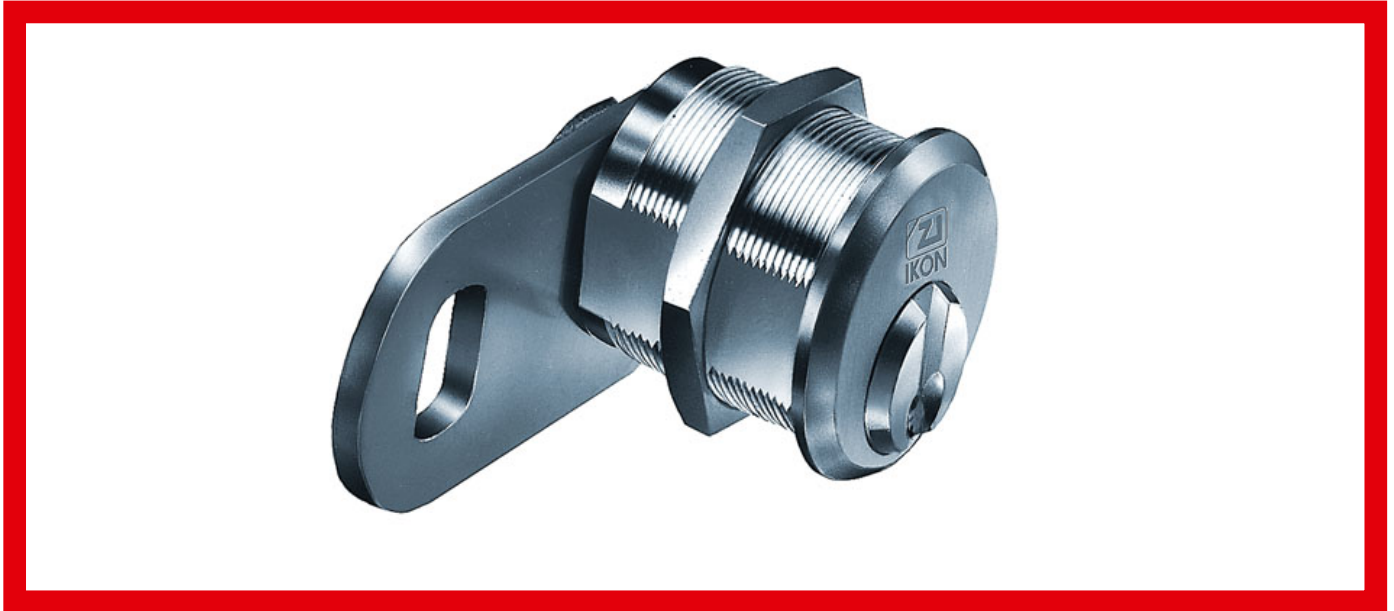


# P043 Locking lever cylinder - system P0

25mm diameter, laterally flattened to 22mm

Mechanical locking cylinders

Locking lever cylinder



Locking cylinders form the core element of secure locking systems and represent IKON's core competency. The product range meets challenging security requirements with sophisticated solutions. High-quality IKON locking cylinders provide high protection against intruders. Standard equipment in this respect includes anti-drilling devices, security cards and panic functions. Patented profiles are a direct result of decades of experience gained in precision engineering and are effectively equipped against even the latest intrusion or burglary techniques. These features include innovative VECTOR profiles and the IKON reversible key profile WSW-W10.

## Area of Application

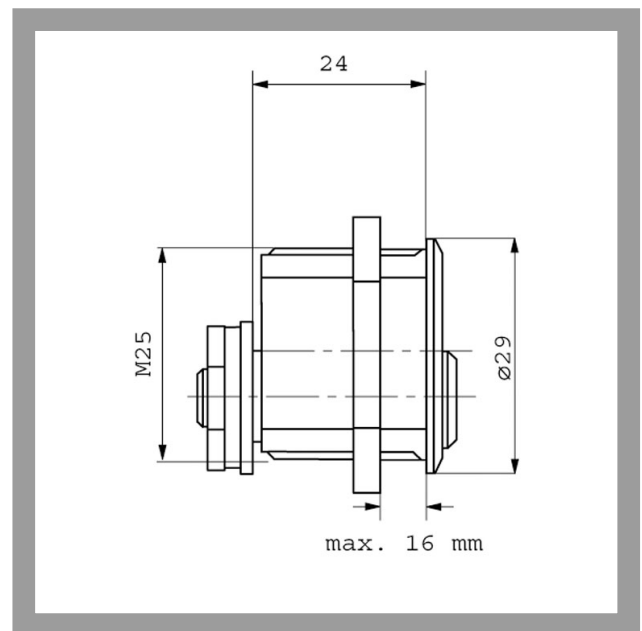
Locking lever cylinders are mainly used for letterboxes, vending machines, control cabinets, haunch flaps, wardrobe lockers or security lockers. IKON supplies locking lever variants to suit different areas of application.

  
**ASSA ABLOY**

ASSA ABLOY, the global leader  
in door opening solutions

# P043 Locking lever cylinder - system P0

25mm diameter, laterally flattened to 22mm



## Product description

- 5 pin tumblers
- Brass cylinder
- Standard finish, matt chrome-plated (OF=MC)
- Other surfaces: satin nickel-plated (OF=MV), brass, mat brushed (OF=MG), polished brass (OF=MP)
- Not available with drilling protection (AB=2)
- Standard locking lever (SLHB=1645009)
- Locking path and locking lever path 90° left or right
- Suitable for material thicknesses up to 16 mm
- Available for individual lockings and locking systems
- Drilling protection (AB=), security card depending on profile (PR=)
- Key with square metal head
- Tapered cylinder core head with reinforced key guide
- Core pins made of special wear-resistant bronze
- Locking direction of locking lever must be specified when ordering

## Compatible ASSA ABLOY products

- Maintenance spray 8511

## Scope of delivery

- 1 locking lever cylinder
- 2 nickel silver keys
- 1 lockig lever SLHB=1645009
- 1 housing nut M25 x 0.75



# P043 Locking lever cylinder - system P0

25mm diameter, laterally flattened to  
22mm

Current profiles for individual locking

Profile (PR=)	Standard profile N1.	Standard profile AEP10
<b>Profile version</b>	70	71
<b>With security card</b>	No	Yes
<b>included</b>		
Drilling protection (AB=)	optional	0+1
Emergency device (GE=)	optional	optional
Locking wave (SW=)	-	-
VdS class	-	-
RAL quality symbol	-	-
DIN class	-	-
<b>Modular system (GBK=)</b>	-	-
<b>Additional lateral pins</b>	-	-
<b>Factory-keyed profile/Client profile</b>	Factory-keyed profile	Factory-keyed profile
<b>Key head shape</b>	Square	Square



ASSA ABLOY  
Sicherheitstechnik GmbH  
Goerzallee 299  
14167 Berlin  
berlin@assaabloy.de  
Tel. +4930 8106-0  
Fax +4930 8106-26 00  
www.assaabloy.de

ASSA ABLOY, the global leader  
in door opening solutions