

P048 Furniture cylinder - system P0

Mechanical locking cylinders

Furniture cylinders and locks



With adapter, 29mm diameter



Locking cylinders form the core element of secure locking systems and represent IKON's core competency. The product range meets challenging security requirements with sophisticated solutions. High-quality IKON locking cylinders provide high protection against intruders. Standard equipment in this respect includes anti-drilling devices, security cards and panic functions. Patented profiles are a direct result of decades of experience gained in precision engineering and are effectively equipped against even the latest intrusion or burglary techniques. These features include innovative VECTOR profiles and the IKON reversible key profile WSW-W10.

Area of Application

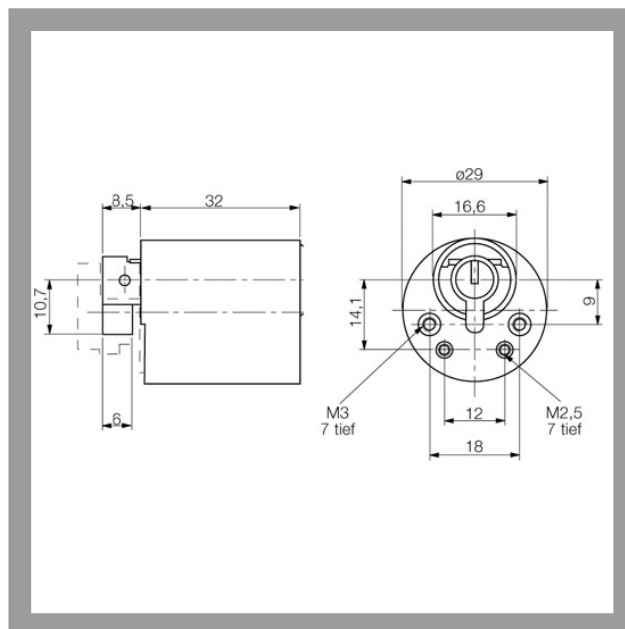
Furniture cylinders are used in conjunction with IKON furniture locks. Furniture cylinders can, depending on the version, be integrated in locking systems.

IKON
ASSA ABLOY

ASSA ABLOY, the global leader
in door opening solutions

P048 Furniture cylinder - system P0

With adapter, 29mm diameter



Product description

- 5 pin tumblers
- Brass cylinder
- Standard finish, satin nickel-plated (OF=MV)
- Other surfaces: satin nickel-plated (OF=MV), brass, mat brushed (OF=MG), polished brass (OF=MP)
- Available for individual lockings and locking systems
- Available for individual locking with standard locking (AA=NML) without security card or restricted locking (AA=SP) with security card
- Drilling protection (AB=), security card depending on profile (PR=)
- Key with square metal head
- Tapered cylinder core head with reinforced key guide
- Core pins made of special wear-resistant bronze

Compatible ASSA ABLOY products

- Furniture bolt lock 8635
- Furniture espagnolette lock 8660
- Maintenance spray 8511

Scope of delivery

- 1 furniture cylinder
- 2 nickel silver keys (Articel P048 and P648 keys brass nickel-plated)
- 1 escutcheon



P048 Furniture cylinder - system P0

With adapter, 29mm diameter

Current profiles for individual locking

Profile (PR=)	Standard profile N1.
Profile version	70
With security card	No
included	
Drilling protection (AB=)	optional
Emergency device (GE=)	optional
Locking wave (SW=)	-
VdS class	-
RAL quality symbol	-
DIN class	-
Modular system (GBK=)	-
Additional lateral pins	-
Factory-keyed profile/Client profile	Factory-keyed profile
Key head shape	Square



ASSA ABLOY
Sicherheitstechnik GmbH
Goerzallee 299
14167 Berlin
berlin@assaabloy.de
Tel. +4930 8106-0
Fax +4930 8106-26 00
www.assaabloy.de

ASSA ABLOY, the global leader
in door opening solutions