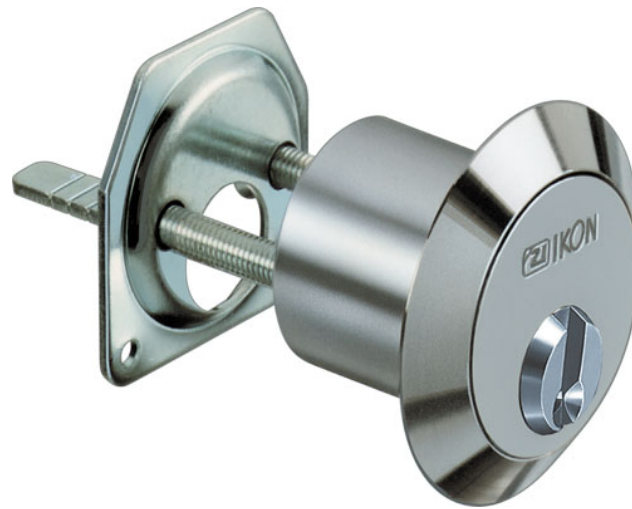


P050 External cylinder - system P0

Mechanical locking cylinders

External cylinder



Locking cylinders form the core element of secure locking systems and represent IKON's core competency. The product range meets challenging security requirements with sophisticated solutions. High-quality IKON locking cylinders provide high protection against intruders. Standard equipment in this respect includes anti-drilling devices, security cards and panic functions. Patented profiles are a direct result of decades of experience gained in precision engineering and are effectively equipped against even the latest intrusion or burglary techniques. These features include innovative VECTOR profiles and the IKON reversible key profile WSW-W10.

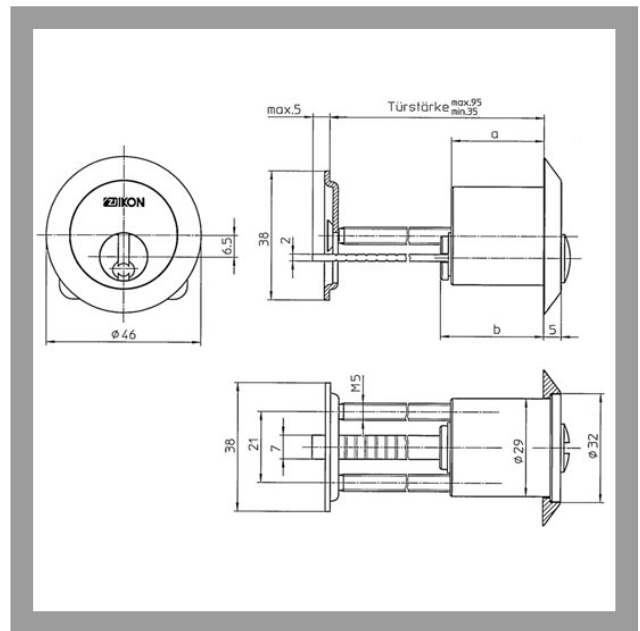
Area of Application

External cylinders are used together with auxiliary locks (e.g. rim locks and multiple locking systems). This enables actuation of auxiliary locks from outside.

IKON
ASSA ABLOY

ASSA ABLOY, the global leader
in door opening solutions

P050 External cylinder - system P0



Product description

- 5 pin tumblers
- Brass cylinder
- Standard finish, satin nickel-plated (OF=MV)
- Other surfaces: brass, mat brushed (OF=MG), polished brass (OF=MP)
- Available for individual lockings and locking systems
- Drilling protection (AB=), additional lateral scanning, security card depending on profile (PR=)
- Key with square metal head
- Tapered cylinder core head with reinforced key guide
- Core pins made of special wear-resistant bronze
- Screwed into position with separate fixing plate and two M5 screws

Accessories/Individual parts

- Fixing screw 1439
- Connection rod 1152
- Shim ring 1156
- Fixing plate 1154
- Fixing plate / Connection rod P897

Compatible ASSA ABLOY products

- Escutcheon with rain protection cover 1254, AUS=2-7
- Maintenance spray 8511

Scope of delivery

- 1 external cylinder
- 1 shim ring
- 1 fixing plate
- 3 nickel silver keys
- 2 screws M5x30



P050 External cylinder - system P0

Current profiles for individual locking

Profile (PR=)	Standard profile N1.	Standard profile AEP10
Profile version	70	71
With security card included	No	Yes
Drilling protection (AB=)	optional	0+1
Emergency device (GE=)	optional	optional
Locking wave (SW=)	-	-
VdS class	-	-
RAL quality symbol	-	-
DIN class	-	-
Modular system (GBK=)	-	-
Additional lateral pins	-	-
Factory-keyed profile/Client profile	Factory-keyed profile	Factory-keyed profile
Key head shape	Square	Square



ASSA ABLOY
Sicherheitstechnik GmbH
Goerzallee 299
14167 Berlin
berlin@assaabloy.de
Tel. +4930 8106-0
Fax +4930 8106-26 00
www.assaabloy.de

ASSA ABLOY, the global leader
in door opening solutions