

P052 Internal cylinder - system P0

Mechanical locking cylinders

Internal cylinder



Locking cylinders form the core element of secure locking systems and represent IKON's core competency. The product range meets challenging security requirements with sophisticated solutions. High-quality IKON locking cylinders provide high protection against intruders. Standard equipment in this respect includes anti-drilling devices, security cards and panic functions. Patented profiles are a direct result of decades of experience gained in precision engineering and are effectively equipped against even the latest intrusion or burglary techniques. These features include innovative VECTOR profiles and the IKON reversible key profile WSW-W10.

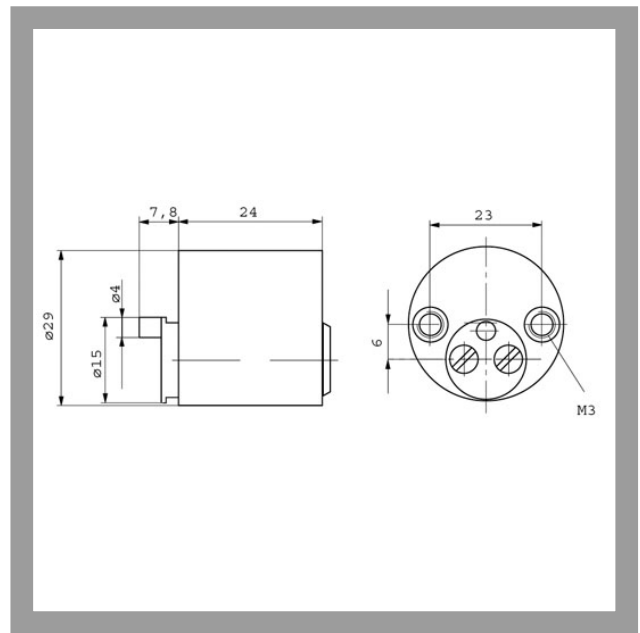
Area of Application

Internal cylinders are used in conjunction with auxiliary locks (e.g. rim locks or multiple locking systems). This enables actuation of auxiliary locks from the inside.

 **IKON**
ASSA ABLOY

ASSA ABLOY, the global leader
in door opening solutions

P052 Internal cylinder - system P0



Product description

- 5 pin tumblers
- Brass cylinder
- Standard finish, satin nickel-plated (OF=MV)
- Other surfaces: brass, mat brushed (OF=MG), polished brass (OF=MP)
- Available for individual lockings and locking systems
- Drilling protection (AB=), additional lateral scanning, security card depending on profile (PR=)
- Key with square metal head
- Tapered cylinder core head with reinforced key guide
- Cam made of break and corrosion-resistant sinter metal
- Core pins made of special wear-resistant bronze

Compatible ASSA ABLOY products

- Rim lock without cylinder 9133
- Rim lock without cylinder with security link 9136
- Drive unit for multiple locking system without lateral bolt 9257
- Drive unit for multiple locking system with lateral bolt 9258
- Drive unit for multiple locking system with lateral bolt and security link 9259
- Maintenance spray 8511

Scope of delivery

- 1 internal cylinder
- 3 nickel silver keys



P052 Internal cylinder - system P0

Current profiles for individual locking

Profile (PR=)	Standard profile N1.	Standard profile AEP10
Profile version	70	71
With security card included	No	Yes
Drilling protection (AB=)	optional	0+1
Emergency device (GE=)	optional	optional
Locking wave (SW=)	-	-
VdS class	-	-
RAL quality symbol	-	-
DIN class	-	-
Modular system (GBK=)	-	-
Additional lateral pins	-	-
Factory-keyed profile/Client profile	Factory-keyed profile	Factory-keyed profile
Key head shape	Square	Square



ASSA ABLOY
Sicherheitstechnik GmbH
Goerzallee 299
14167 Berlin
berlin@assaabloy.de
Tel. +4930 8106-0
Fax +4930 8106-26 00
www.assaabloy.de

ASSA ABLOY, the global leader
in door opening solutions