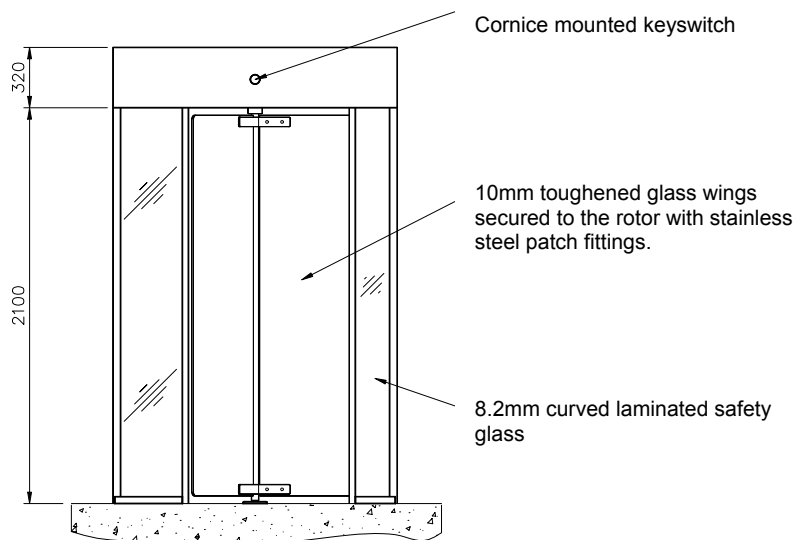
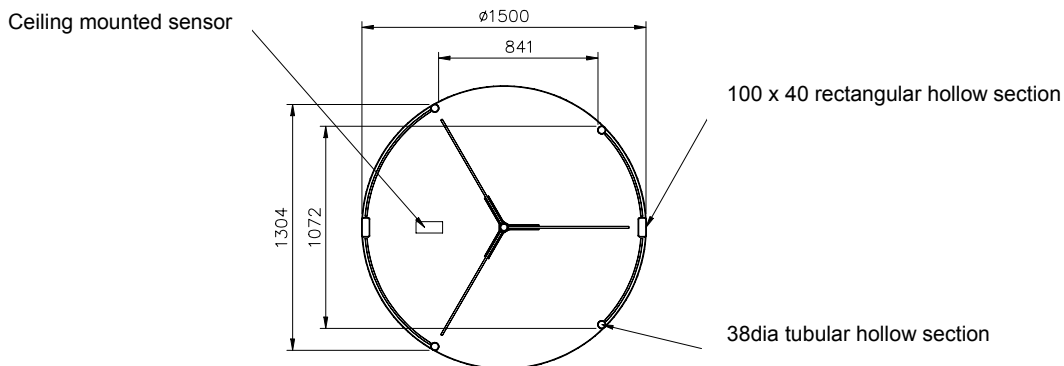
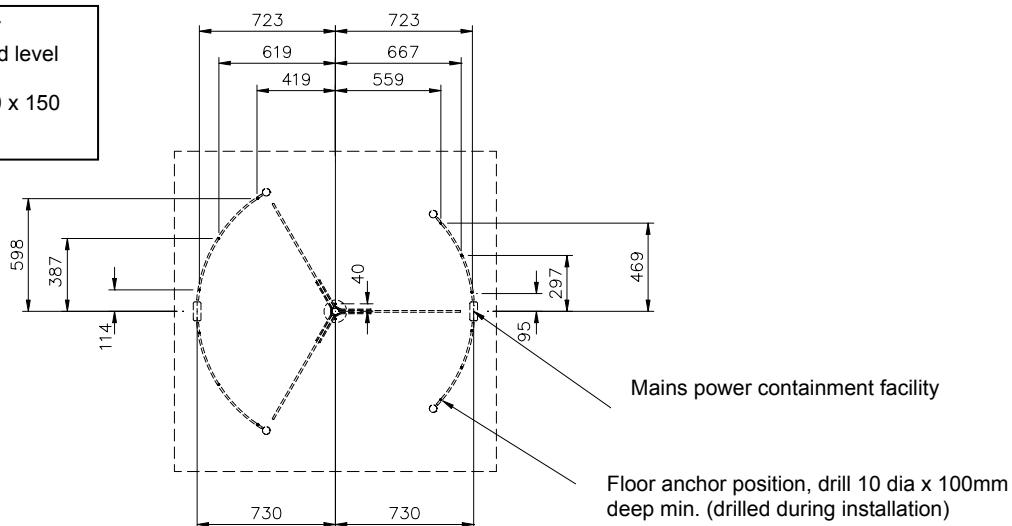


Site Preparation RevoSec RVS120/1500FP
(Full Panel rotor shown)



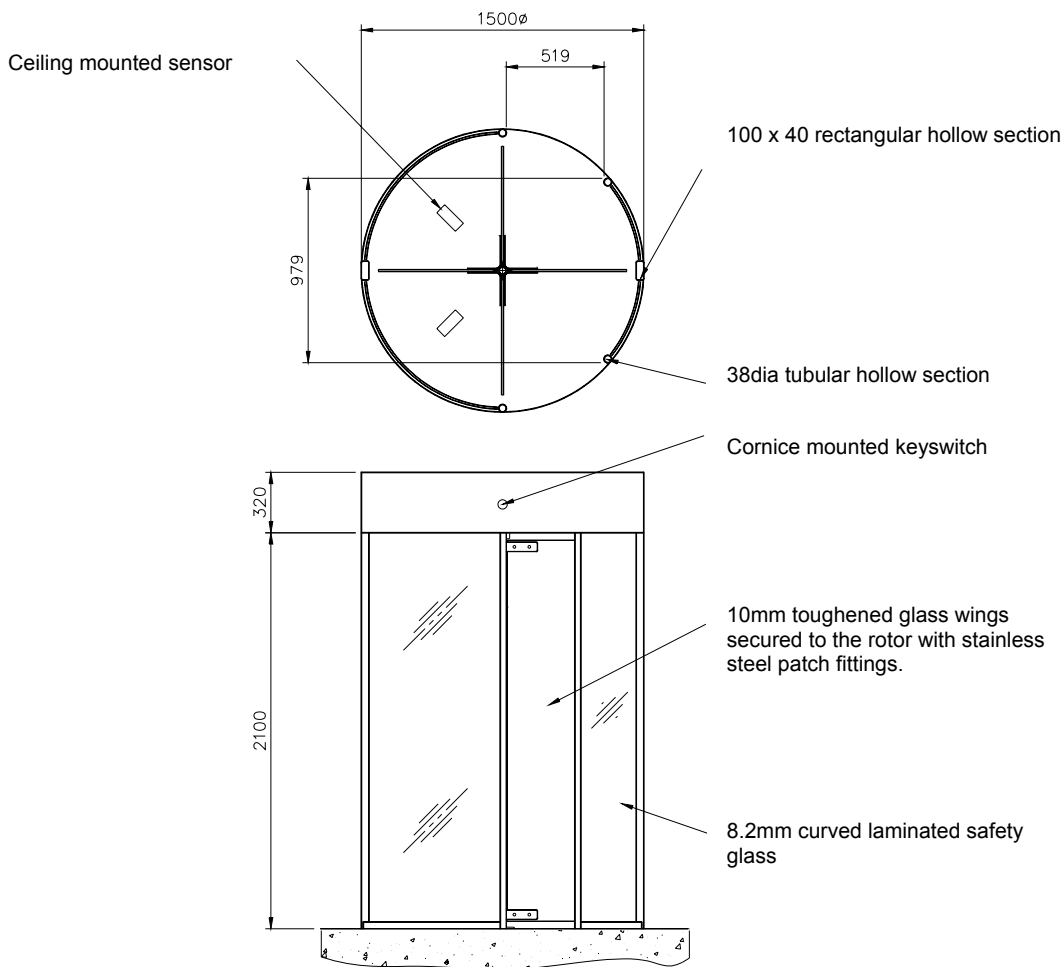
Concrete Base to BS 5328:1997 specification. Base to be flat and level to +/- 5mm over footprint area. Dimensions to be > 1700 x 1700 x 150 deep min.



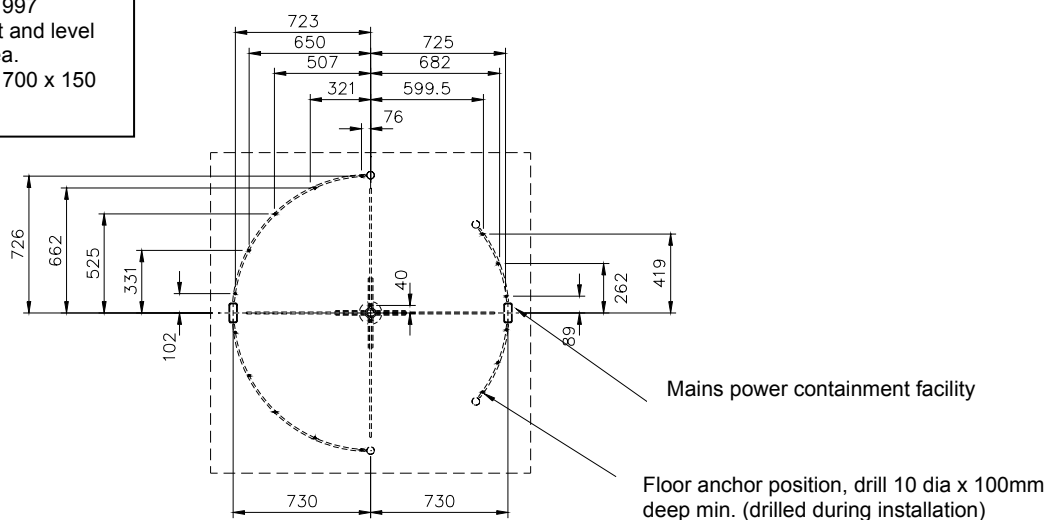
IMPORTANT

- Any horizontal pipe or conduit runs below the RevoSec must be at least 140mm below FFL.
- It is the customers responsibility to ensure the structural integrity and strength of the installation location.

Site Preparation RevoSec RVS90/1500FP
(Full Panel rotor shown)



Concrete Base to BS 5328:1997 specification. Base to be flat and level to +/- 5mm over footprint area. Dimensions to be > 1700 x 1700 x 150 deep min.

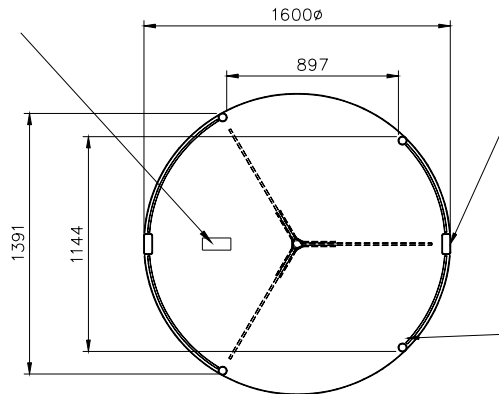


IMPORTANT

- Any horizontal pipe or conduit runs below the RevoSec must be at least 140mm below FFL.
- It is the customers responsibility to ensure the structural integrity and strength of the installation location.

Site Preparation RevoSec RVS120/1600FP
(Full Panel rotor shown)

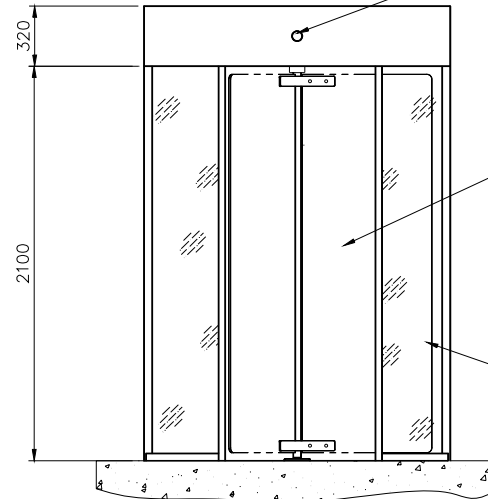
Ceiling mounted sensor



100 x 40 rectangular hollow section

38dia tubular hollow section

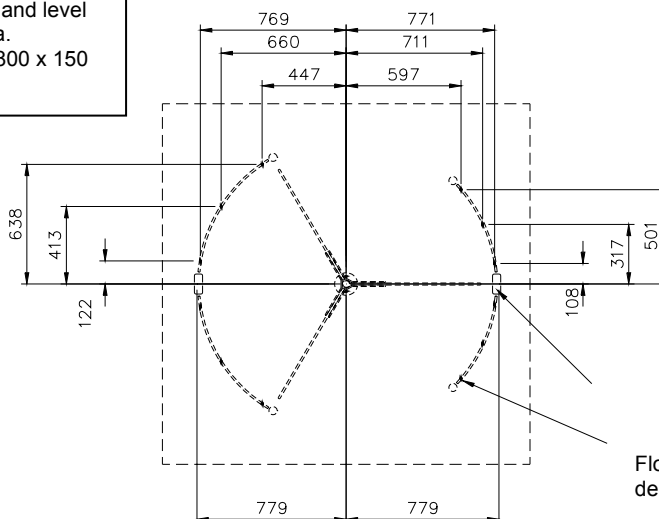
Cornice mounted keyswitch



10mm toughened glass wings secured to the rotor with stainless steel patch fittings.

8.2mm curved laminated safety glass

Concrete Base to BS 5328:1997 specification. Base to be flat and level to +/- 5mm over footprint area. Dimensions to be > 1800 x 1800 x 150 deep min.



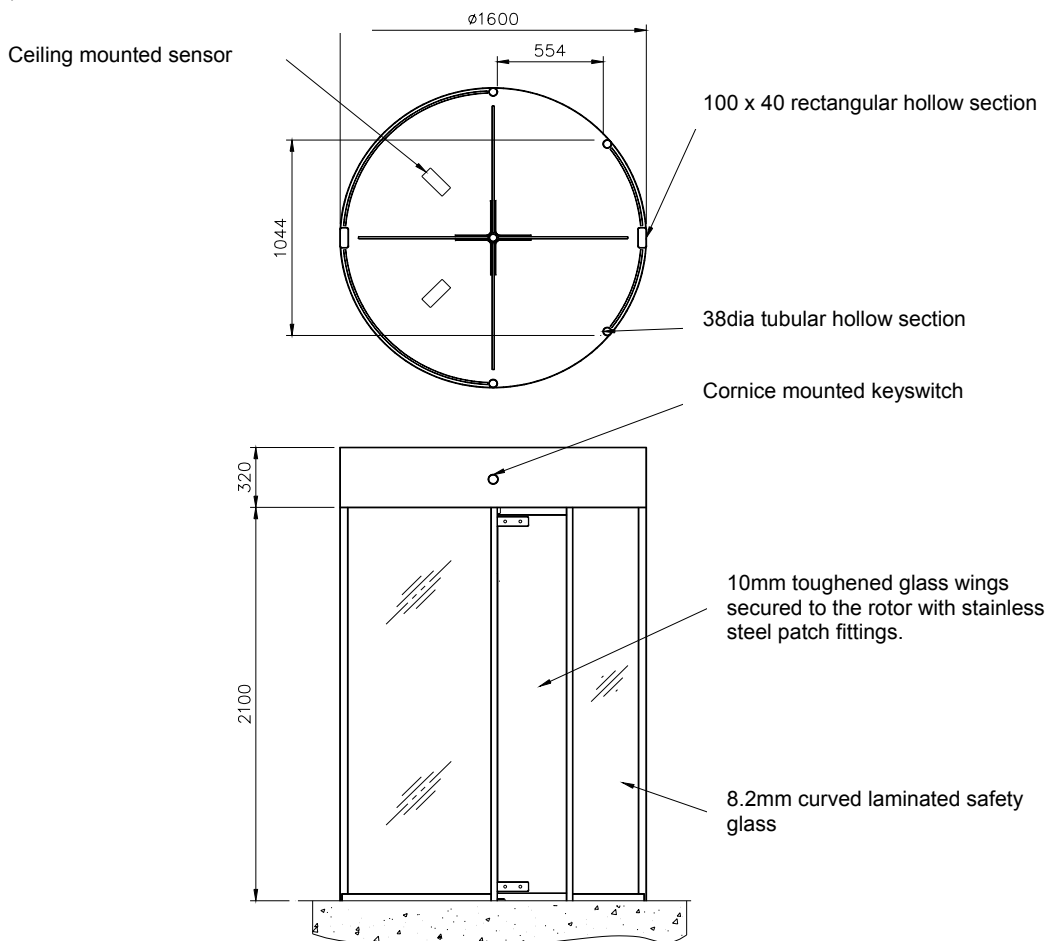
Mains power containment facility

Floor anchor position, drill 10 dia x 100mm deep min. (drilled during installation)

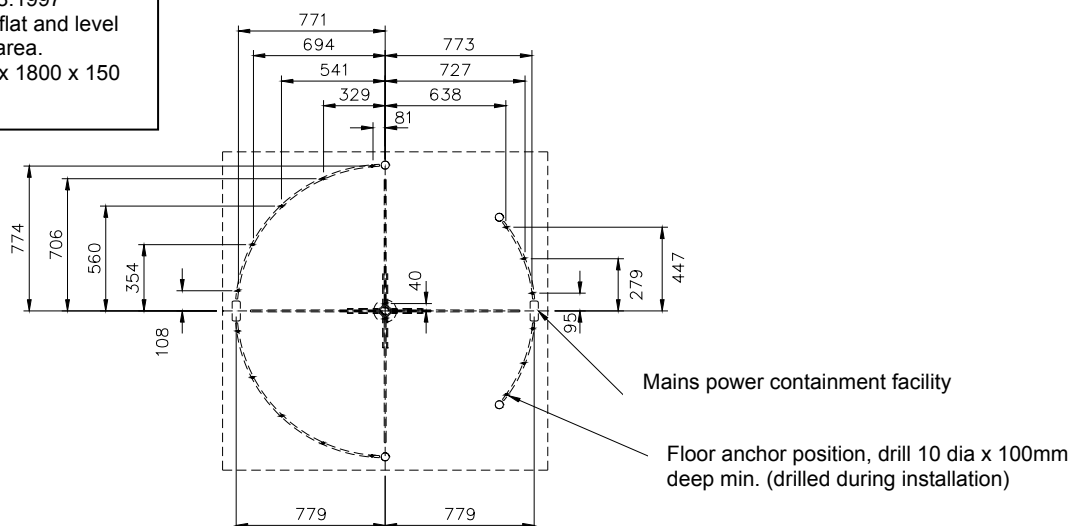
IMPORTANT

- Any horizontal pipe or conduit runs below the RevoSec must be at least 140mm below FFL.
- It is the customers responsibility to ensure the structural integrity and strength of the installation location.

Site Preparation RevoSec RVS90/1600FP
(Full Panel rotor shown)



Concrete Base to BS 5328:1997 specification. Base to be flat and level to +/- 5mm over footprint area. Dimensions to be > 1800 x 1800 x 150 deep min.



IMPORTANT

- Any horizontal pipe or conduit runs below the RevoSec must be at least 140mm below FFL.
- It is the customers responsibility to ensure the structural integrity and strength of the installation location.