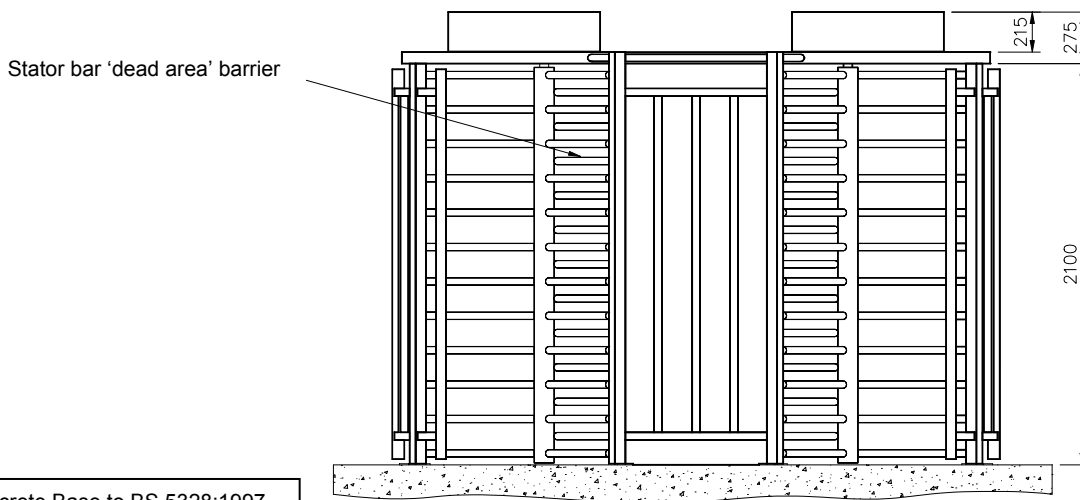
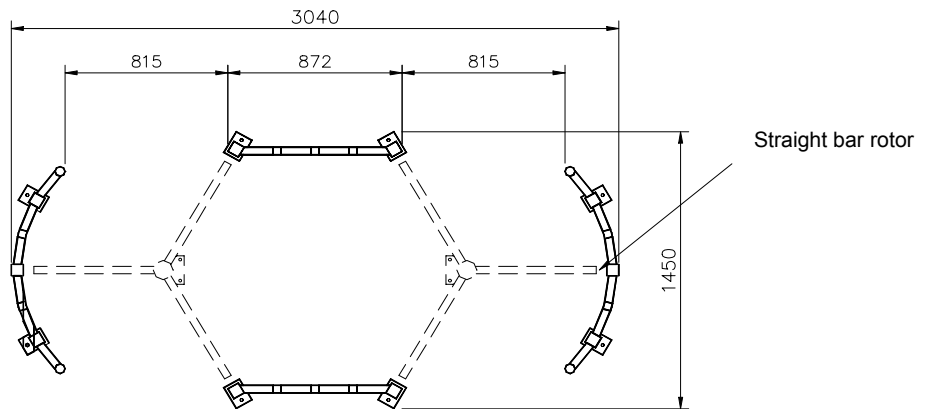
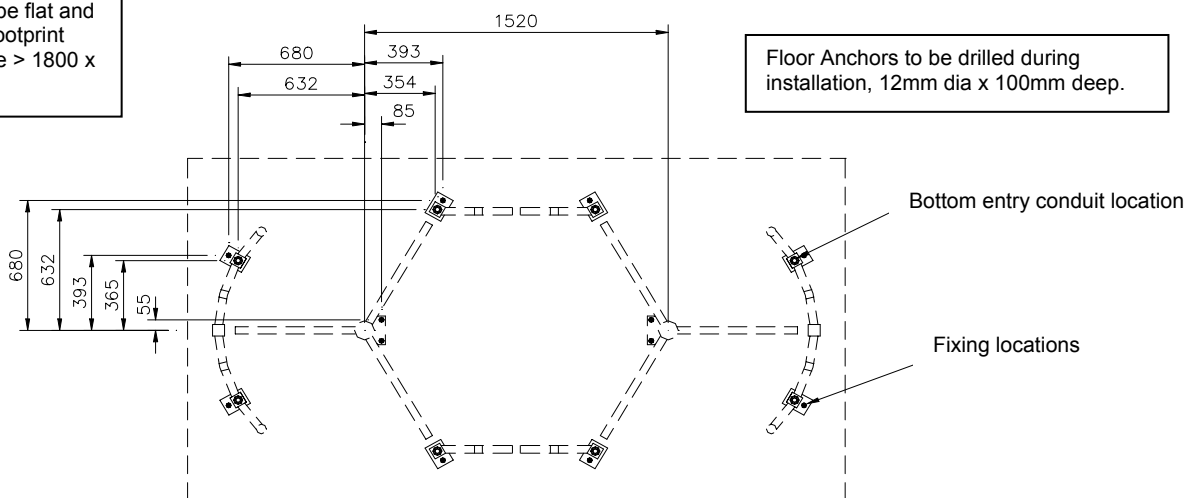


**Site Preparation RotaSec MD120F**

(Shown with straight bar rotor)



Concrete Base to BS 5328:1997 specification. Base to be flat and level to +/- 5mm over footprint area. Dimensions to be > 1800 x 3300 x 150 deep min.



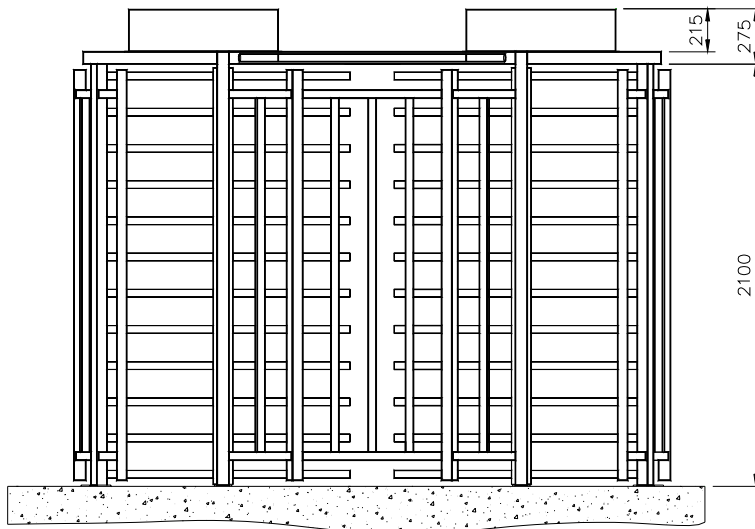
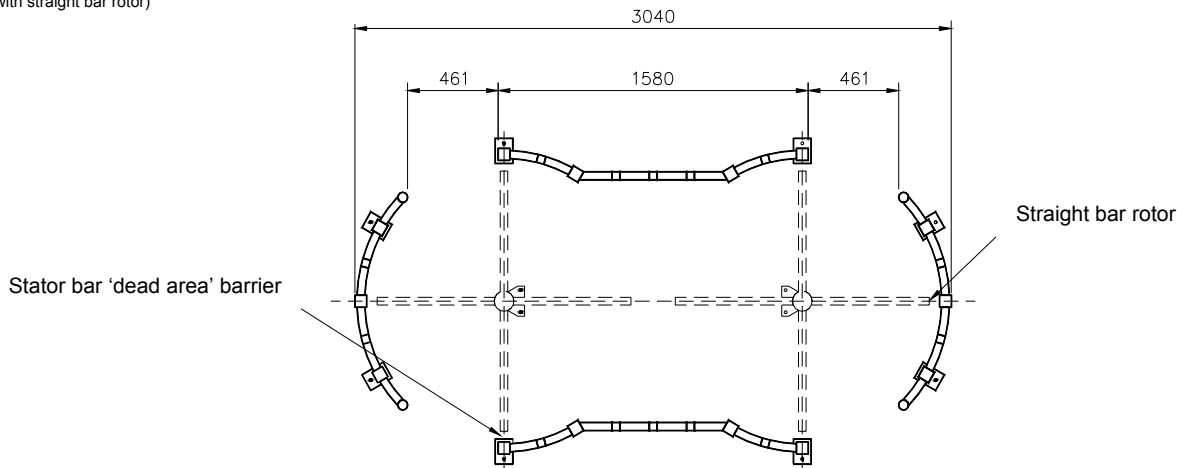
Floor Anchors to be drilled during installation, 12mm dia x 100mm deep.

**IMPORTANT**

- Any horizontal pipe or conduit runs below the RotaSec must be at least 140mm below FFL.
- It is the customers responsibility to ensure the structural integrity and strength of the installation location.

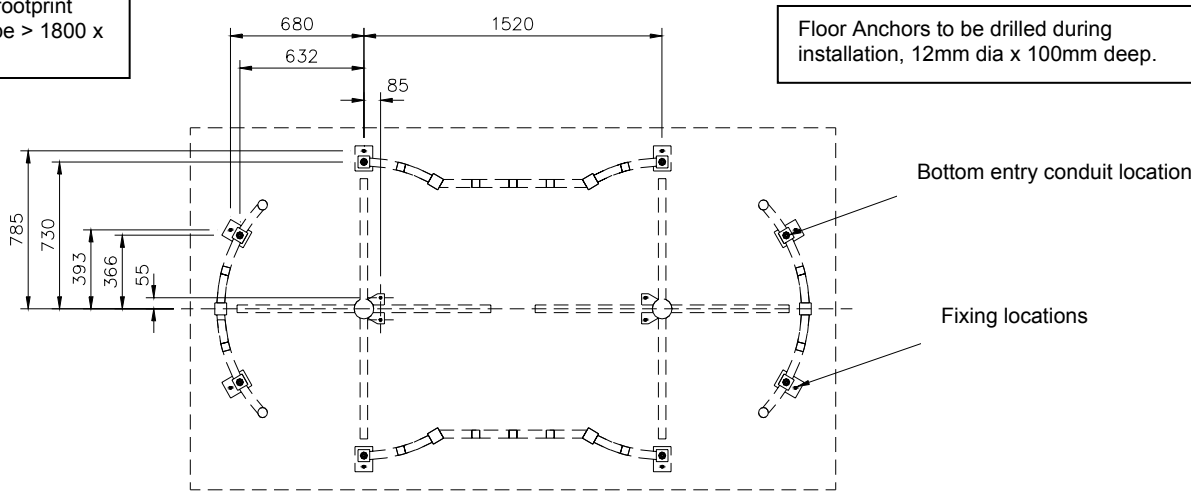
**Site Preparation RotaSec MD90F**

(Shown with straight bar rotor)



Concrete Base to BS 5328:1997 specification. Base to be flat and level to +/- 5mm over footprint area. Dimensions to be > 1800 x 3300 x 150 deep min.

Floor Anchors to be drilled during installation, 12mm dia x 100mm deep.

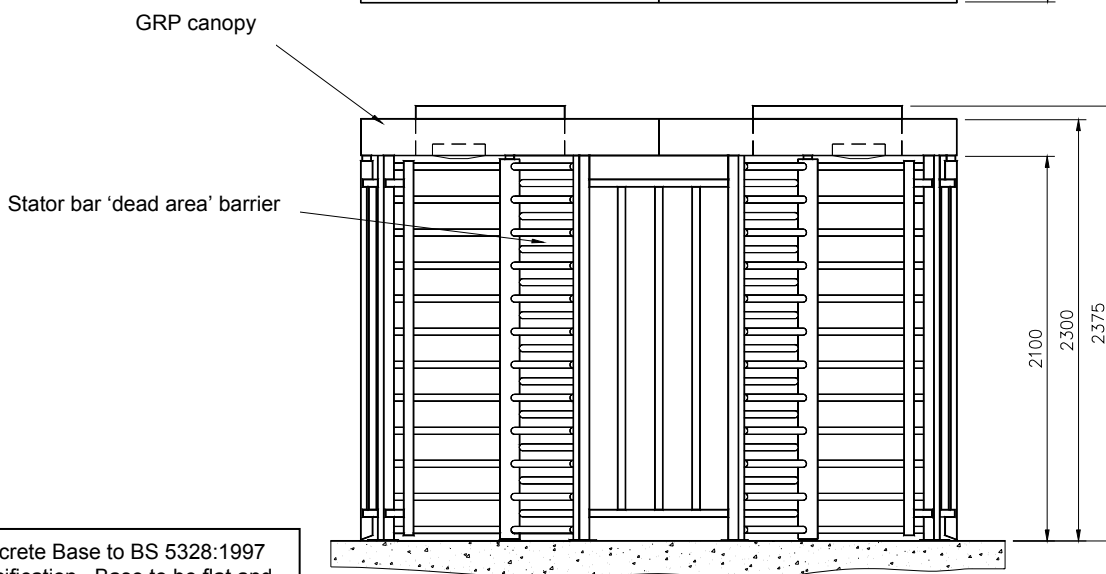
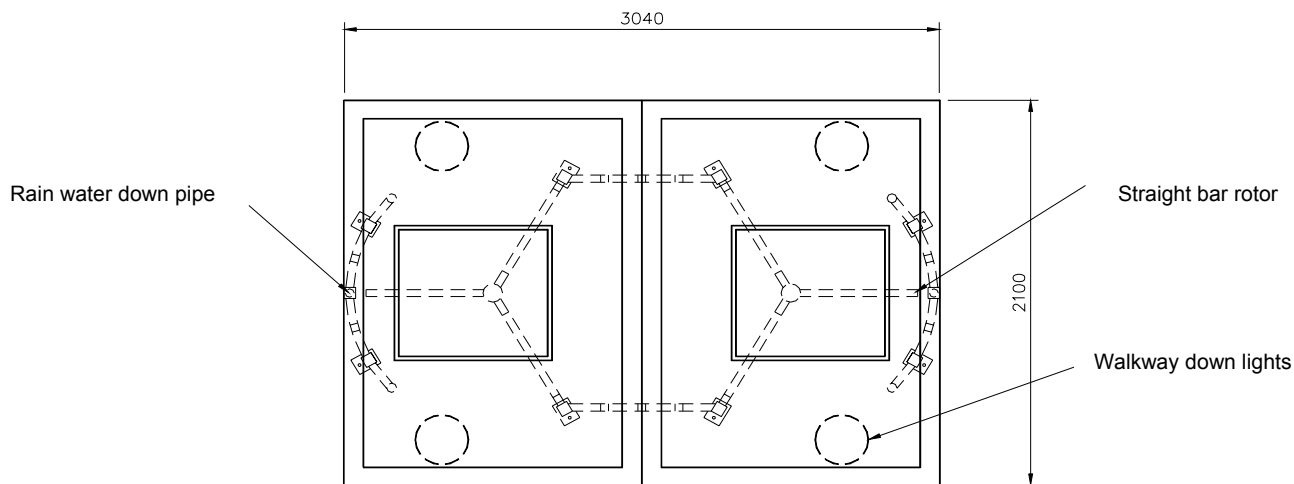


**IMPORTANT**

- Any horizontal pipe or conduit runs below the RotaSec must be at least 140mm below FFL.
- It is the customers responsibility to ensure the structural integrity and strength of the installation location.

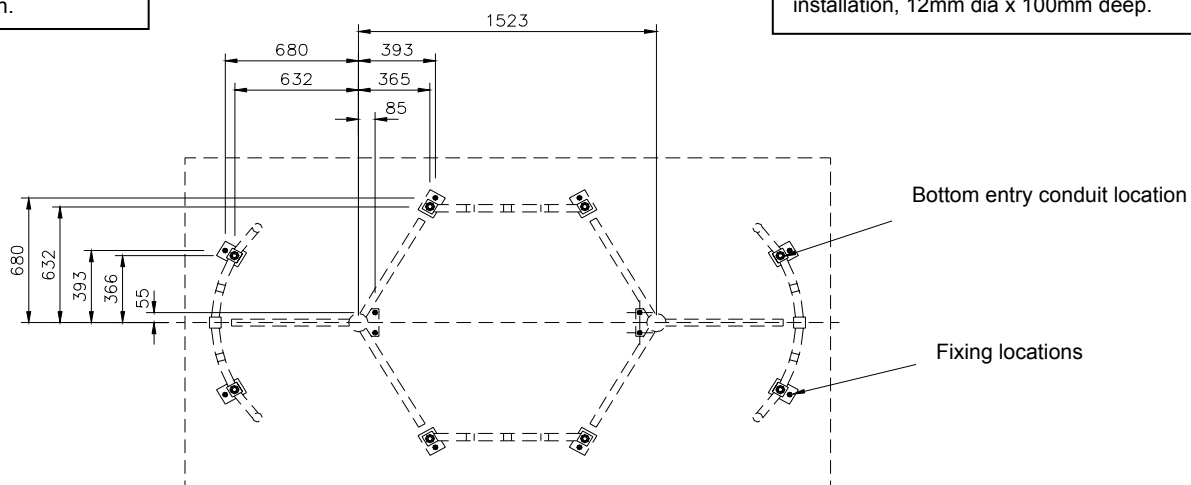
**Site Preparation RotaSec MD120R**

(Shown with straight bar rotor)



Concrete Base to BS 5328:1997 specification. Base to be flat and level to +/- 5mm over footprint area. Dimensions to be > 1800 x 3300 x 150 deep min.

Floor Anchors to be drilled during installation, 12mm dia x 100mm deep.

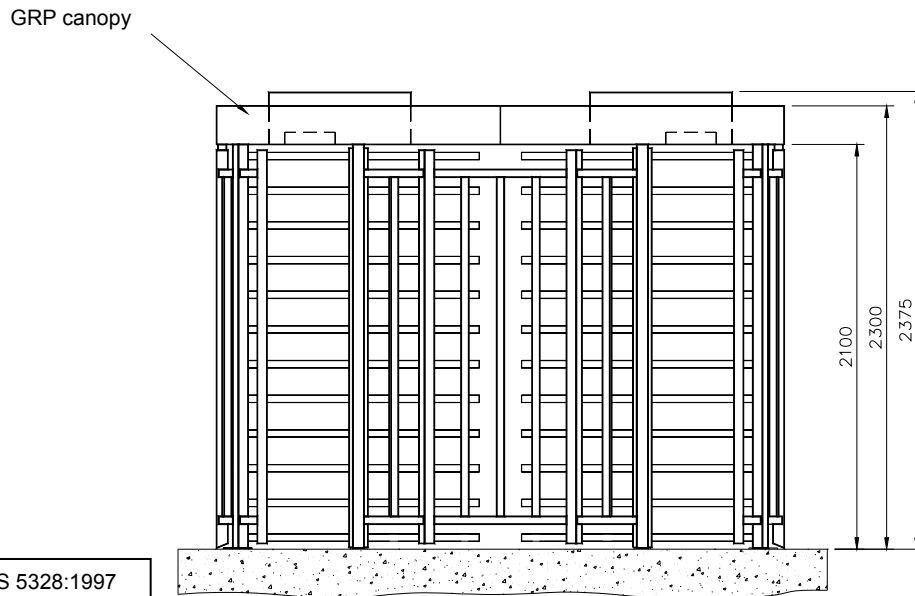
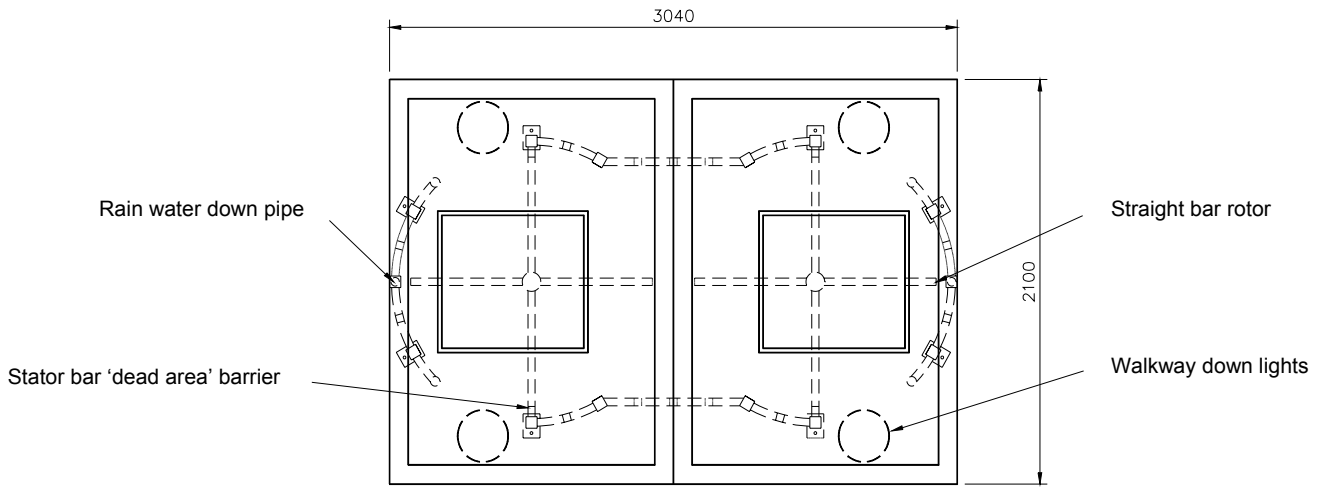


**IMPORTANT**

- Any horizontal pipe or conduit runs below the RotaSec must be at least 140mm below FFL.
- It is the customers responsibility to ensure the structural integrity and strength of the installation location.

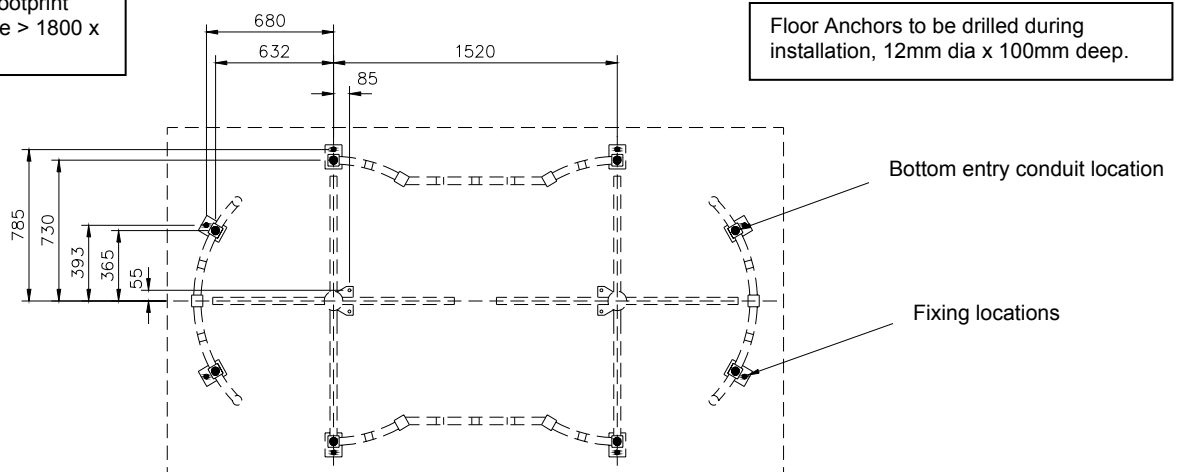
**Site Preparation RotaSec MD90R**

(Shown with straight bar rotor)



Concrete Base to BS 5328:1997 specification. Base to be flat and level to +/- 5mm over footprint area. Dimensions to be > 1800 x 3300 x 150 deep min.

Floor Anchors to be drilled during installation, 12mm dia x 100mm deep.

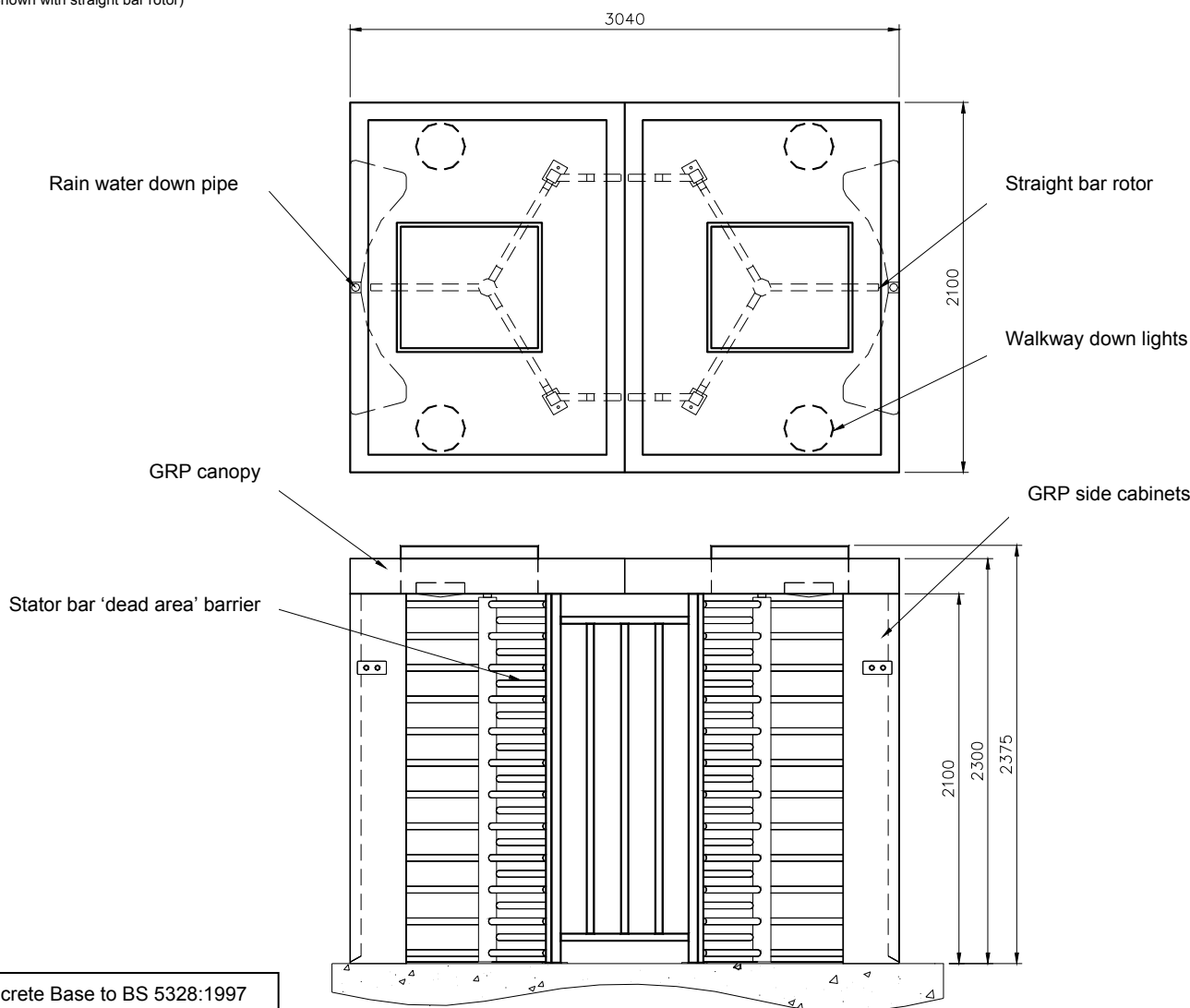


**IMPORTANT**

- Any horizontal pipe or conduit runs below the RotaSec must be at least 140mm below FFL.
- It is the customers responsibility to ensure the structural integrity and strength of the installation location.

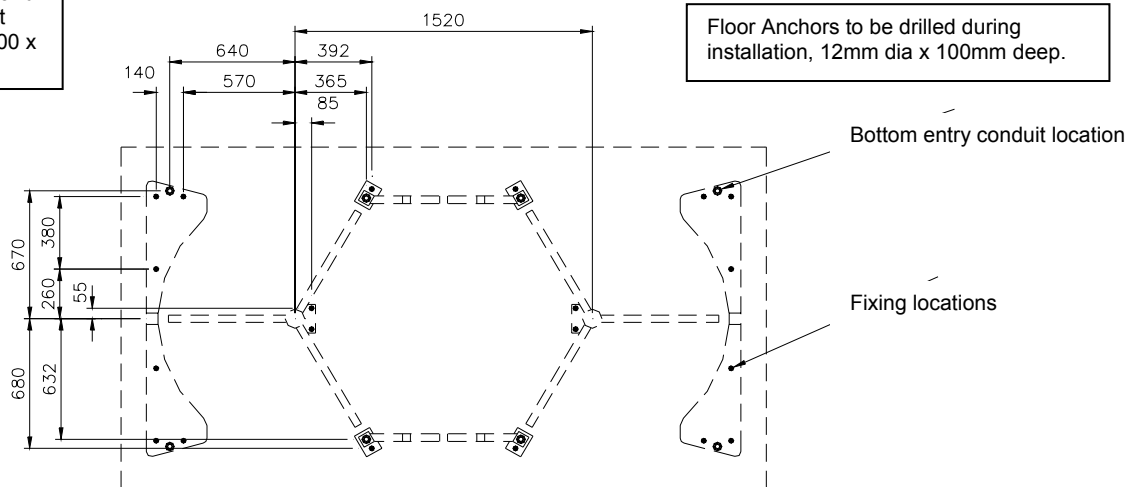
**Site Preparation RotaSec MD120S**

(Shown with straight bar rotor)



Concrete Base to BS 5328:1997 specification. Base to be flat and level to +/- 5mm over footprint area. Dimensions to be > 1800 x 3300 x 150 deep min.

Floor Anchors to be drilled during installation, 12mm dia x 100mm deep.

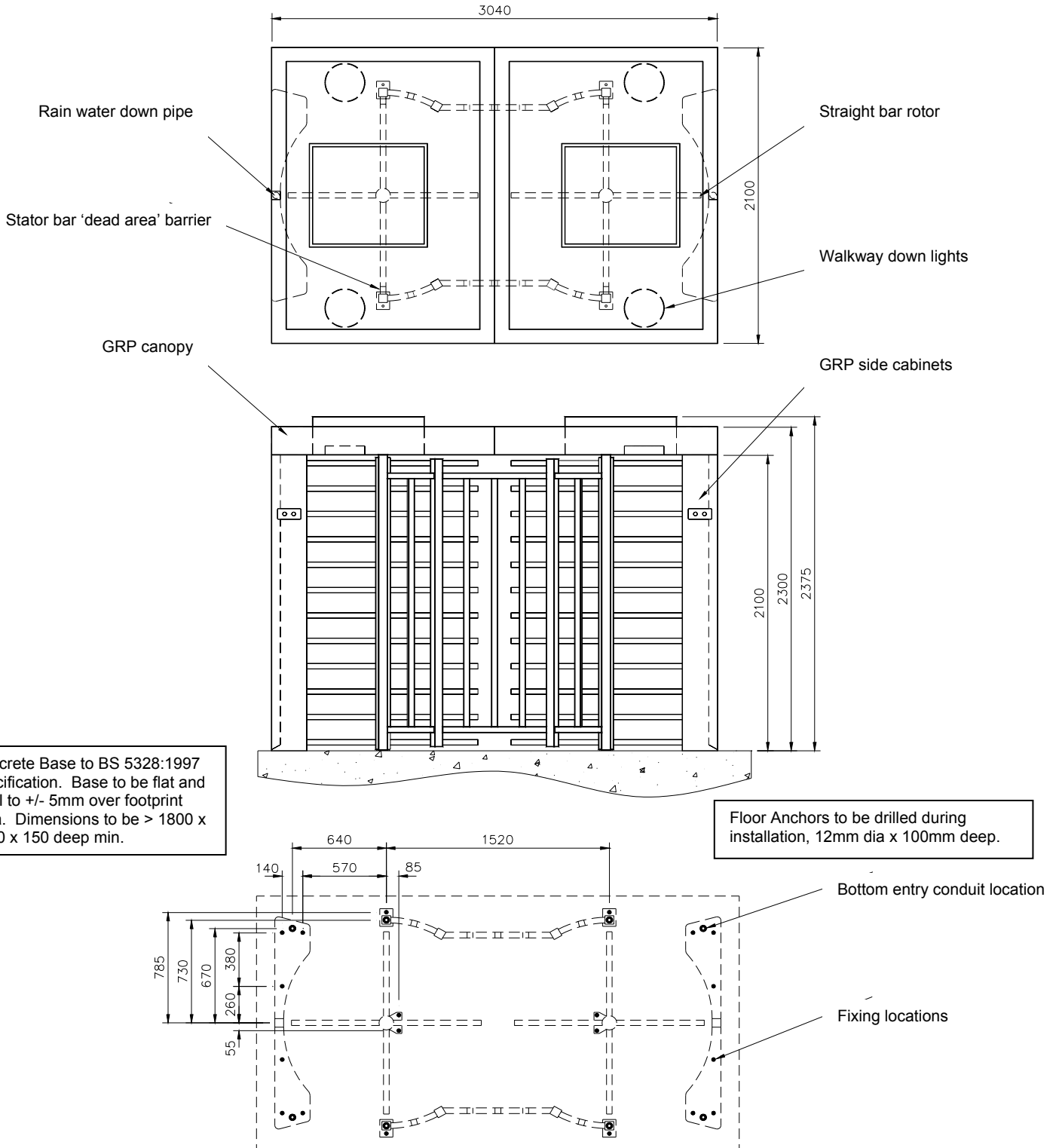


**IMPORTANT**

- Any horizontal pipe or conduit runs below the RotaSec must be at least 140mm below FFL.
- It is the customers responsibility to ensure the structural integrity and strength of the installation location.

**Site Preparation RotaSec MD120S**

(Shown with straight bar rotor)



Concrete Base to BS 5328:1997 specification. Base to be flat and level to +/- 5mm over footprint area. Dimensions to be > 1800 x 3300 x 150 deep min.

Floor Anchors to be drilled during installation, 12mm dia x 100mm deep.

**IMPORTANT**

- Any horizontal pipe or conduit runs below the RotaSec must be at least 140mm below FFL.
- It is the customers responsibility to ensure the structural integrity and strength of the installation location.