

SlimStile W

Tripod Turnstile, Wall Mounted for Internal or External Use

Technical Specification

Drive:	Hand operated	
Orientation:	Pass left or Pass Right	
Materials:	Casework:	Mild Steel Painted
	Casework Lid:	304 Grade Stainless Steel (EN 10088-2 Grade 1G/2G)
	Tripod Hub:	Cast aluminium with black finish
	Tripod Arms:	38m dia. 480m 316 Grade Satin Polished Stainless Steel (EN 10088-2 Grade 1K/2K) with black plastic end caps

Corrosion Protection:

- De-rust and grit blast to SA 2.5
- Hot Zinc sprayed to BS2569 ZN3
- Etch Prime with Polyvinyl butyl
- Top Coat of Semi-gloss air drying paint within standard RAL range

Function: Passage in both directions, electronically controllable

Mechanism: Control of the Tripod operation is achieved by an electro-mechanical head mechanism located within the top section of the turnstile casework. It is silent in rotation and comprises the following standard features:-

- A positive lock action that prevents two passages at one time
- A self centring mechanism to ensure complete rotation of the mechanism to the home position
- A hydraulic damper to ensure smooth operation
- Anti backup device to prevent reverse rotation once the mechanism has moved 35° from home.

Power Failure: In the event of an emergency or isolation of the power supply, the tripod can be configured to fail-safe, i.e. rotates freely, or fail-lock i.e. locks in the home position. Either option is available in both or one direction, as standard the tripods are configured bi-directional fail-safe unless specifically requested otherwise.

Fire Alarm – Input facility available for 0V contact supplied by others to effect the fail state.

Note – mechanism fail state will be the same as power failure choice.

Interface: Potential-free contact provided by either a cardreader or pushbutton input. Cardreader inhibit and reset output signals available as standard.

Unit has an adjustable time out facility if required. i.e. Go signal will be cancelled if passage through turnstile is not completed within pre-set time i.e. 5-30 secs.

Power Supply: 115/230V AC 50/60 Hz

Power Rating: 80 VA per Walkway (Drop Arm Option 160 VA)

Logic Voltage: 24V dc

Delivery Details: The SlimStile W range is delivered in kit form i.e. Arms, Casework and Pedestal, and may require lifting gear for off loading.

Approx weight 30 Kg casework, 15 Kg Pedestal



Product Description

The SlimStile W provides a compact, basic and economical tripod turnstile giving the choice of either wall or pedestal mounting.

Users include

- Government
- Retail
- Finance
- Telecommunications
- Information Technology
- Banking
- Publishing
- Leisure
- Petrochemical
- Education

Regulate



Models Available

SlimStile Electrical Tripod Turnstile

- Model WE Single Walkway - electrically controlled in one or both directions

Standard Accessories and Optional Extras

Alternative Materials, Finishes and Custom Design (Please contact Gunnebo Mayor for suitability and costs)

- Casework available in other materials

Mounting Options

- Wall Mounted
- Single mild steel pedestal to match casework finish.
- Double mild steel pedestal to match casework finish.

Cardreader Mounting (Please refer to Gunnebo Mayor for feasibility)

- Cardreader Pedestals

Status Lights

- 50mm dia. LED display Status Lights flush mounted within the turnstile lid top face. The Green badge symbol is continuously illuminated indicating passage is available. Upon authorisation a Green arrow will illuminate in the direction of passage authorisation whilst in the opposite direction a Red Cross symbol will illuminate to indicate the unit is not available for use or is all readying in use.

Push Button Control

- Simple remote Push Button Console
- Remote console to specific requirements
- Single pushbutton casework or lid mounted

Usage Counters

- Electro-mechanical, re-settable or non-re-settable counters inside tripod OR visible through cut out in casework

Drop Arm (Can be used externally, but under a canopy)

- In the event of an emergency or isolation of the power supply the horizontal tripod arm will drop automatically to create a clear walkway for escape. Input facility is available for potential free contact supplied by others to effect the fail state.

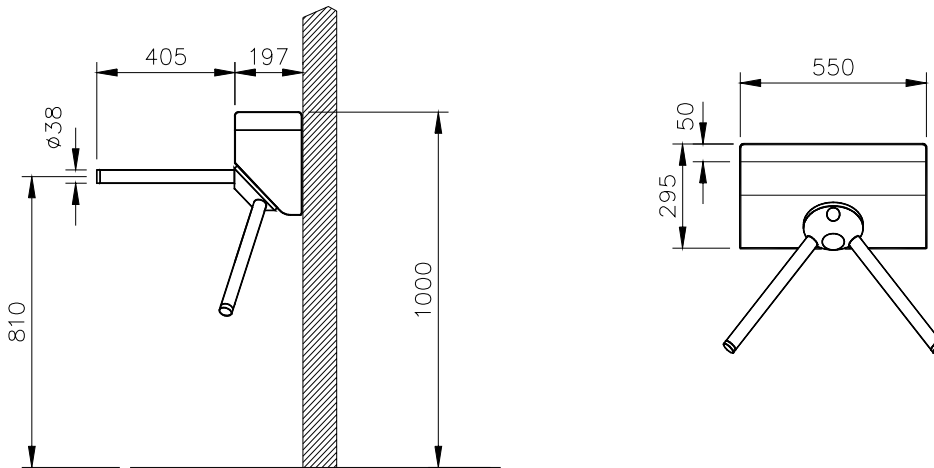
Mechanical Operation

- Non-electrical unit allowing free movement in direction – reverse direction locked

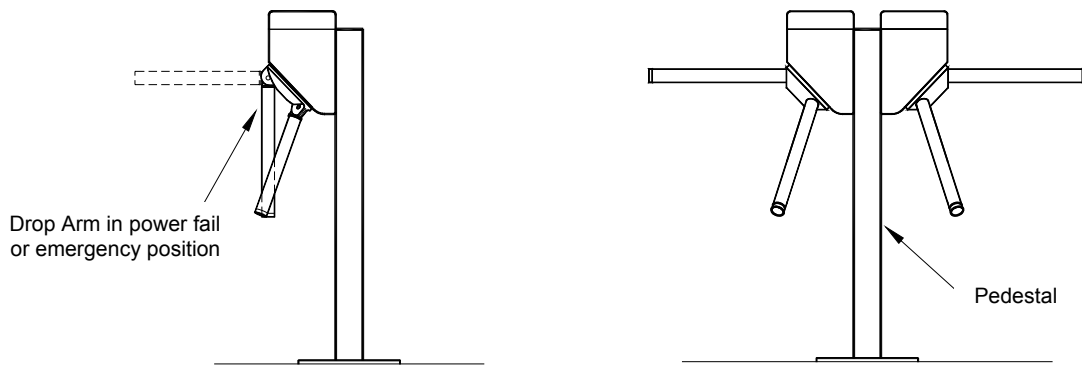
Installation Examples



Site Preparation SlimStile W

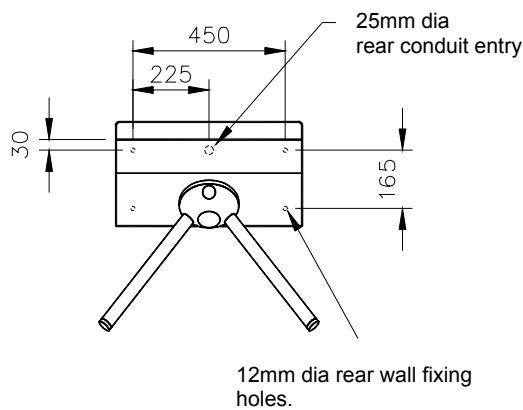


SlimStile WE (Wall mounted)

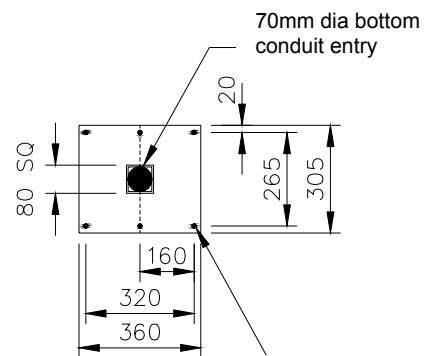


SlimStile WE (Single pedestal)

SlimStile WE (Double pedestal)



12mm dia rear wall fixing holes.



Floor anchor position, drill 12mm dia x 100 deep min. (drilled during installation)

Concrete to BS 5328: 1997 specification, type ST5.
Base to be flat and level to +/-5mm over footprint area.
Pedestal - 500 x 500 x 150mm min

IMPORTANT

- Any horizontal pipe or conduit runs below the SlimStile must be at least 140mm below FFL.

Flow Rates

Reader Device	Number per minute
Insertion type	20
Insertion type with PIN code keypad	10
Swipe type	30
Swipe type with PIN code keypad	12
Proximity 'Hands Free'	40

- Please note the figures are approximate and must be confirmed with Gunnebo Mayor Ltd. Figures quoted are for one person per complete passage per walkway and per minute. It is assumed the access control authorisation response is instantaneous. Flow rates will increase with multiple passage use.



United Kingdom

Gunnebo Mayor Ltd. Bellbrook Business Park, Uckfield, East Sussex, TN22 1QQ.
Tel +44 (0) 1825 761022 Fax +44 (0) 1825 763835

Gunnebo Mayor Ltd. Orient House, Newton Street, Hyde, Cheshire, SK14 4RX
Tel +44 (0) 161 882 5900 Fax +44 (0) 161 882 5910

www.gunnebomayor.com

Note: In pursuit of its policy of continuous refinement and improvement, Gunnebo Mayor Ltd. reserves the right to modify design and details.

A COMPANY WITHIN THE GUNNEBO GROUP.....

HEAD OFFICE SWEDEN – Gunnebo Entrance Control AB, SE-590 93, Gunnebo.
Tel +46 (0) 490 89000, Fax +46 (0) 490 23889

DENMARK Gunnebo Protection A/S
Division Entrance Control
Erhvervsparken 3, DK-4621 Gadstrup
Tel +45 46 19 14 66
Fax +45 46 19 14 55

FRANCE Gunnebo Entrance Control SARL
Zone d'Activites Le Mandinet,
20 Rue des Campanules
F-77185, Lognes
Tel +33 (0) 1 64 80 14 40
Fax +33 (0) 1 64 80 14 39

GERMANY Gunnebo Entrance Control GmbH
Diagonalstrasse 41, D-20537
Hamburg
Tel +49 (0) 40 47 11 30 0
Fax +49 (0) 40 47 11 30 79

HONG KONG Gunnebo Entrance Control
Room 2312, C.C. Wu Building,
302-308 Hennessy Road, Wanchai.
Tel +852 2882 8337
Fax +852 2523 7880

ITALY Gunnebo Italdis SpA
Via A Volta 15 - IT 38015
Lavis (TN)
Tel +39 0461 248 900
Fax +39 0461 248 999

NORWAY Gunnebo Troax A/S
Division Entrance Control
Postboks 179, Kalbakken N-0903, Oslo
Tel +47 22 80 42 00
Fax +47 22 80 42 01

SPAIN Gunnebo Entrance Control
BBC, Comte d'Urgel 143, lola 08036,
Barcelona
Tel +34 93 452 59 56
Fax +34 93 451 56 53

SWEDEN Gunnebo Entrance Control
Box 500, Kumla Gardsvag 33F, 145 63
Norsborg
Tel +46 (0)8 53 17 15 75
Fax +46 (0) 8 53 18 85 39

UNITED KINGDOM Gunnebo Mayor Ltd
Bellbrook Business Park, Uckfield,
East Sussex, TN22 1QQ
Tel +44 (0) 1825 761022
Fax +44 (0) 1825 763835

USA Gunnebo Omega Inc
5056 Commercial Circle, Suite E,
Concord, California, CA 94520
Tel +01 925 609 6339
Fax +01 925 603 0810