

SnapPak

PRE-ASSEMBLED CAMERA HOUSING AND LENS PACKAGE

Outdoor camera installations are a snap with the SnapPak pre-assembled camera, housing, and lens package. With the integrated SnapPak, all the work is done and the complete system is ready for installation. All you have to do is choose the camera you want in the package.

The integrated SnapPak includes one of four High Resolution cameras: a Day/Night analog camera with digital noise reduction, a Day/Night analog camera, a True Day/Night analog camera and a True Day/Night network camera. A clamshell enclosure with a wall mount, pre-assembled sunshield, 20 watt heater, 24 VAC blower kit, and an aspherical DC Vari-focal Auto Iris lens is installed on the camera and preback focused. Also, every SnapPak kit includes a 3-foot length of 3/4" non metallic liquid tight flex conduit, liquid tight connectors, a 3-access hole outdoor junction box with blank face plate, 24 volt 40 VA transformer, power, video and network cables, and all the mounting hardware. All the components listed above are conveniently packaged together in one kit. Just mount the wall bracket and place the camera into Honeywell's exclusive snap-in mounting plate, which is preinstalled onto the camera and easily snapped onto a mounting rail inside the enclosure. In one simple step, you are ready to go.

Market Opportunities

The Honeywell SnapPaks are designed for applications where ease of installation and setup of the camera system are primary concerns. The attractive design, rugged construction, and complete installation hardware make these kits suitable for a wide range of indoor and outdoor applications including parking lots, lobbies, building entranceways, atriums, driveways, loading docks, and foyers.

Features

- Convenient package with camera, back focused lens, housing, and mounting hardware all in one box
- Variable camera options to meet any application
- Aspherical DC Vari-focal Auto Iris lenses
- Versatile wall mount with hardware
- 12" easy access outdoor enclosure with security locks
- Sunshield, heater, and 24 VAC blower
- Network video and analog camera options

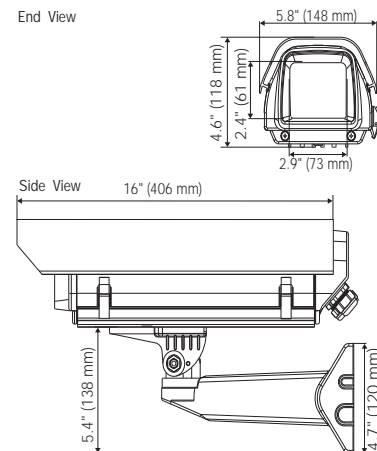


SPECIFICATIONS

Electrical	Housing	
	Heater	Blower
Input Voltage	24 VAC	24 VAC
On (Temperature)	< 41° F +/-5° F (5° C +/-3° C)	> 95° F +/-5° F (35° C +/-3° C)
Off (Temperature)	> 59° F +/-5° F (15° C +/-3° C)	< 68° F +/-5° F (20° C +/-3° C)
Power Consumption	20 W	3.4 W
Mechanical		
Dimensions	See diagrams	
Maximum Camera Size (W x H x L)	3.1" x 3.2" x 9" (79 mm x 81 mm x 229 mm)	
Camera Mounting	Reversible slotted camera	
Weight	4.2 lb (1.9 kg)	
Window Size (W x H)	2.9" x 2.4" (73 mm x 61 mm)	
Viewing Window	Clear 1/8" double density glass	
Cable Entry	3 glands, PG9, PG16, PG21	
Construction	Housing: Extruded and die-cast aluminum Finish: Gray, two tone, epoxy powder coating	
Mechanical		
Wall Mount		
Pan	360°	
Tilt	70°	
Dimensions	See diagrams	
Maximum Load	30 lb (13.6 kg)	
Locking Method	Friction pad with through tightening Allen bolt	
Enclosure Mounting	1/4" -20 Phillips bolts (provided)	

Environmental	
Temperature	Operating: -4° F to 140° F (-20° C to 60° C)
Relative Humidity	0 - 90% non condensing
Rated	IP66
Regulatory	
Safety	EU: 73/23/EEC LVD

Included in Kit	Qty
3 ft length of 3/4" non metallic flex liquid tight conduit	1
3/4" non metallic liquid tight connectors	2
3-hole outdoor junction box with 3/4" access	1
Blank cover for junction box	1
Junction box mounting anchors	4
4 ft coax cable with BNC connectors	1
HPT2440, 24 volt 40VA plug in transformer	1
7 ft length of RJ45 CAT5 cable (IP kits only)	1



Ordering	
HKHCD54D5IP	SnapPak with HHC12WM2, Environmental Housing, 12", IP66, Heater/Blower, HCD544IP True Day/Night Network Camera, 540 TVL, 0.4 lux, MPEG4, HLD5V50DNL, 5 - 50 mm, F1.6
HKHCD54D2IP	SnapPak with HHC12WM2, Environmental Housing, 12", IP66, Heater/Blower, HCD544IP True Day/Night Network Camera, 540 TVL, 0.4 lux, MPEG4, HLD27V13DNL, 2.7 - 13.5 mm, F1.3
HKHCD54D550	SnapPak with HHC12WM2, Environmental Housing, 12", IP66, Heater/Blower, HCD544 True Day/Night Color Camera, 540 TVL, 0.3 lux, HLD5V50DNL, 5 - 50 mm, F1.6
HKHCD54D271	SnapPak with HHC12WM2, Environmental Housing, 12", IP66, Heater/Blower, HCD544 True Day/Night Color Camera, 540 TVL, 0.3 lux, HLD27V13DNL, 2.7 - 13.5 mm, F1.3
HKHCS54D550	SnapPak with HHC12WM2, Environmental Housing, 12", IP66, Heater/Blower, HCS544 Day/Night Camera, 540 TVL, 0.3 lux color/0.1 lux BW, HLD5V50F13L, 5 - 50 mm, F1.3
HKHCS54D2713	SnapPak with HHC12WM2, Environmental Housing, 12", IP66, Heater/Blower, HCS544 Day/Night Camera, 540 TVL, 0.3 lux color/0.1 lux BW, HLD27V13DNL, 2.7 - 13.5 mm, F1.3
HKHCS47D550	SnapPak with HHC12WM2, Environmental Housing, 12", IP66, Heater/Blower, HCCM474M Color/Black and White Camera, 470 TVL, 0.4 lux color/0.1 lux Monochrome, HLD5V50F13L, 5 - 50 mm, F1.3

NOTE: Honeywell reserves the right, without notification, to make changes in product design or specifications.

Honeywell Security & Data Collection

Honeywell
2700 Blankenbaker Pkwy, Suite 150
Louisville, KY 40299
1.800.796.CCTV (2288)
www.honeywell.com

L/SNAPPAKD/D
August 2009
©2009 Honeywell International Inc.