

# S313 Steel security fitting prepared for profile cylinder - handle/handle

Door fittings

Security fittings without cylinder cover



Long backplate for apartment doors



IKON provides a broad selection of security fittings and escutcheons, with or without cylinder covers. The wide range of IKON fittings is suitable for house and apartment doors, interior and exterior doors and doors made of all conventional materials. It encompasses a variety of handle fittings, a broad range of anodised finishes and colours and a quality spectrum ranging from solid aluminium fittings to premium security steel fittings. Solid steel with drilling protection and internal screw fittings with high tensile resistance form a practically impervious shield for locking cylinders.

## Area of Application

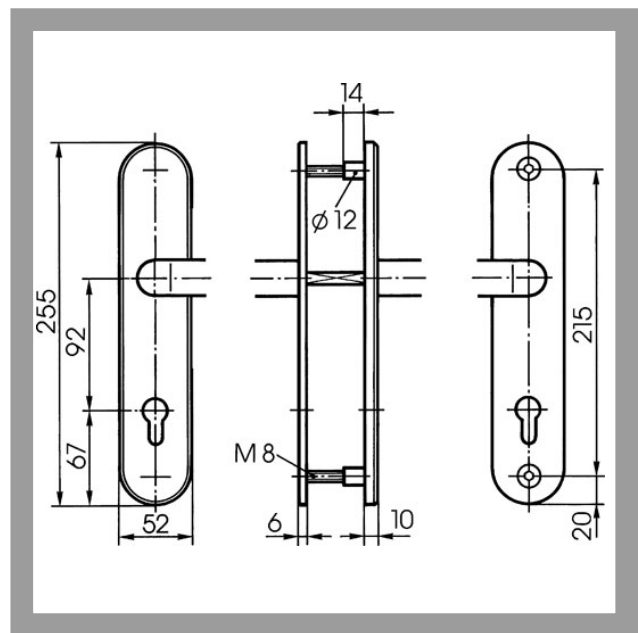
IKON security fittings with profile locking cylinder cut-out and without a cylinder cover ensure that mortise locks and locking cylinders are securely mounted on house and apartment entrance doors. They effectively resist intrusion attempts involving break-in or extraction of the cylinder. A locking cylinder with drilling protection should be utilised when employing security fittings without a cylinder cover.

**IKON**  
ASSA ABLOY

ASSA ABLOY, the global leader  
in door opening solutions

# S313 Steel security fitting prepared for profile cylinder - handle/handle

Long backplate for apartment doors



## Product description

- Resistance class DIN 18257 ES2, reg. no. 4X003. VdS approval class B
- Distance 92mm
- 10mm spindle
- Material: solid steel internal backplate
- Material external backplate: solid steel, hardened
- External backplate thickness 10mm - Internal backplate thickness 6mm
- Standard door thickness 41-45mm (TS=45)
- Other door thicknesses available (thickness in mm): TS=50 (41-50); TS=55 (48-54); TS=60 (53-60); TS=65 (58-64); TS=70 (63-70); TS=75 (68-74); TS=80 (73-80); TS=85 (78-84); TS=90 (83-90); TS=95 (88-94); TS=100 (93-104); TS=110 (103-114)
- Handle anodised aluminium - finish to suit backplates
- Standard finish nickel silver (FB=F2)
- Alternative colour silver (FB=F1)
- Fixing of external backplate from inside with 2 highly traction-resistant through bolts (M8) in strengthened threaded bushes with drilling protection
- For cylinder projection from 8 to 13mm
- Double screwed joint

## Accessories/Individual parts

- Steel shim for long backplate S401

## Compatible ASSA ABLOY products

- Double cylinder .551
- Double cylinder .531

## Scope of delivery

- 1 Set with fixing material

**ZIKON**  
**ASSA ABLOY**

# S313 Steel security fitting prepared for profile cylinder - handle/handle

Long backplate for apartment doors

Article-No.	FB=	TS=
<b>S313</b>	F2	45 (41- 45)
	F2	50 (41- 50)
	F2	55 (48- 54)
	F2	60 (53- 60)
	F2	65 (58- 64)
	F2	70 (63- 70)
	F2	75 (68- 74)
	F2	80 (73- 80)
	F2	85 (78- 84)
	F2	90 (83- 90)
	F2	95 (88- 94)
	F2	100 (93- 104)
	F2	110 (103- 114)
	F1	45 (41- 45)
	F1	50 (41- 50)
	F1	55 (48- 54)
	F1	60 (53- 60)
	F1	65 (58- 64)
	F1	70 (63- 70)
	F1	75 (68- 74)
	F1	80 (73- 80)
	F1	85 (78- 84)
	F1	90 (83- 90)
	F1	95 (88- 94)



ASSA ABLOY  
Sicherheitstechnik GmbH  
Goerzallee 299  
14167 Berlin  
berlin@assaabloy.de  
Tel. +4930 8106-0  
Fax +4930 8106-26 00  
www.assaabloy.de

ASSA ABLOY, the global leader  
in door opening solutions