

S328 Steel security fitting prepared for profile cylinder - angled knob/handle

Door fittings

Security fittings without cylinder cover



Short backplate for apartment doors



IKON provides a broad selection of security fittings and escutcheons, with or without cylinder covers. The wide range of IKON fittings is suitable for house and apartment doors, interior and exterior doors and doors made of all conventional materials. It encompasses a variety of handle fittings, a broad range of anodised finishes and colours and a quality spectrum ranging from solid aluminium fittings to premium security steel fittings. Solid steel with drilling protection and internal screw fittings with high tensile resistance form a practically impervious shield for locking cylinders.

Area of Application

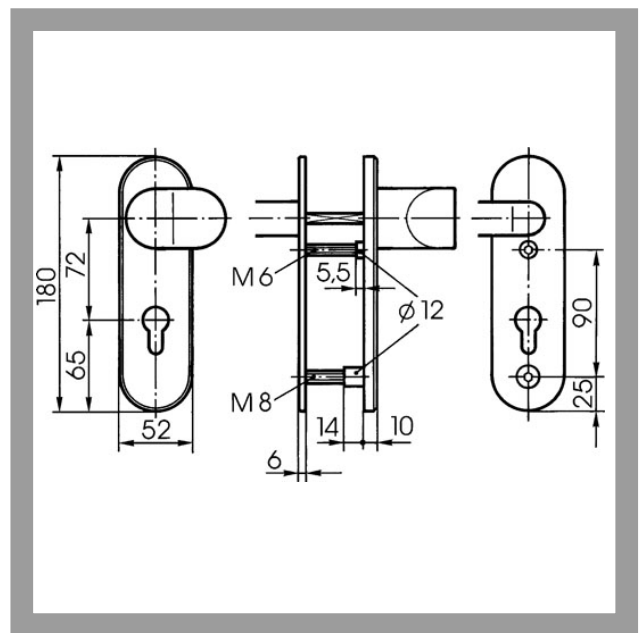
Security fittings provide secure mounting for mortise locks and locking cylinders in house and apartment doors and offer effective resistance against intrusion attempts, such as break-ins, levering open or drilling, while the cylinder cover effectively prevents cylinders extraction.

IKON
ASSA ABLOY

ASSA ABLOY, the global leader
in door opening solutions

S328 Steel security fitting prepared for profile cylinder - angled knob/handle

Short backplate for apartment doors



Product description

- Resistance class DIN 18257 ES1 ZA, reg. no. 4X019. VdS approval class A
- Distance 72mm
- 8mm spindle
- Material: solid steel internal backplate
- Material external backplate: solid steel, hardened
- External backplate thickness 10mm - Internal backplate thickness 6mm
- Standard door thickness 36-43mm (TS=40)
- Other door thicknesses available (thickness in mm): TS=45 (38-45); TS=50 (43-50); TS=55 (48-54); TS=60 (48-60); TS=65 (58-64); TS=70 (63-70); TS=75 (68-74); TS=80 (73-80); TS=85 (78-84); TS=90 (83-90); TS=95 (88-94); TS=100 (93-104); TS=110 (103-114)
- Handle and knob set anodised aluminium finish to suit backplates
- Standard finish nickel silver (FB=F2)
- Alternative colour silver (FB=F1)
- Fixing of external backplate from inside with 2 highly traction-resistant through bolts (1 x M8, 1 x M6) in strengthened threaded bushes with drilling protection
- For cylinder projection from 8 to 13mm
- Double screwed joint

Accessories/Individual parts

- Steel shim for short backplate S421

Compatible ASSA ABLOY products

- Double cylinder .551
- Double cylinder .531

Scope of delivery

- 1 Set with fixing material

ZIKON
ASSA ABLOY

S328 Steel security fitting prepared for profile cylinder - angled knob/handle

Short backplate for apartment doors

Article-No.	FB=	TS=
S328	F2	40 (36- 43)
	F2	45 (38- 45)
	F2	50 (43- 50)
	F2	55 (48- 54)
	F2	60 (48- 60)
	F2	65 (58- 64)
	F2	70 (63- 70)
	F2	75 (68- 74)
	F2	80 (73- 80)
	F2	85 (78- 84)
	F2	90 (83- 90)
	F2	95 (88- 94)
	F2	100 (93- 104)
	F2	110 (103- 114)
	F1	40 (36- 43)
	F1	45 (38- 45)
	F1	50 (43- 50)
	F1	55 (48- 54)
	F1	60 (48- 60)
	F1	65 (58- 64)
	F1	70 (63- 70)
	F1	75 (68- 74)
	F1	80 (73- 80)
	F1	85 (78- 84)
	F1	90 (83- 90)



ASSA ABLOY
Sicherheitstechnik GmbH
Goerzallee 299
14167 Berlin
berlin@assaabloy.de
Tel. +4930 8106-0
Fax +4930 8106-26 00
www.assaabloy.de

ASSA ABLOY, the global leader
in door opening solutions

S328 Steel security fitting prepared for profile cylinder - angled knob/handle

Short backplate for apartment doors

Article-No.	FB=	TS=
	F1	95 (88- 94)
	F1	100 (93- 104)
	F1	110 (103- 114)



ASSA ABLOY
Sicherheitstechnik GmbH
Goerzallee 299
14167 Berlin
berlin@assaabloy.de
Tel. +4930 8106-0
Fax +4930 8106-26 00
www.assaabloy.de

ASSA ABLOY, the global leader
in door opening solutions