

S428 Steel security fitting with cylinder cover - angled knob/handle

Door fittings

Security fittings with cylinder cover



Short backplate for apartment doors



IKON provides a broad selection of security fittings and escutcheons, with or without cylinder covers. The wide range of IKON fittings is suitable for house and apartment doors, interior and exterior doors and doors made of all conventional materials. It encompasses a variety of handle fittings, a broad range of anodised finishes and colours and a quality spectrum ranging from solid aluminium fittings to premium security steel fittings. Solid steel with drilling protection and internal screw fittings with high tensile resistance form a practically impervious shield for locking cylinders.

Area of Application

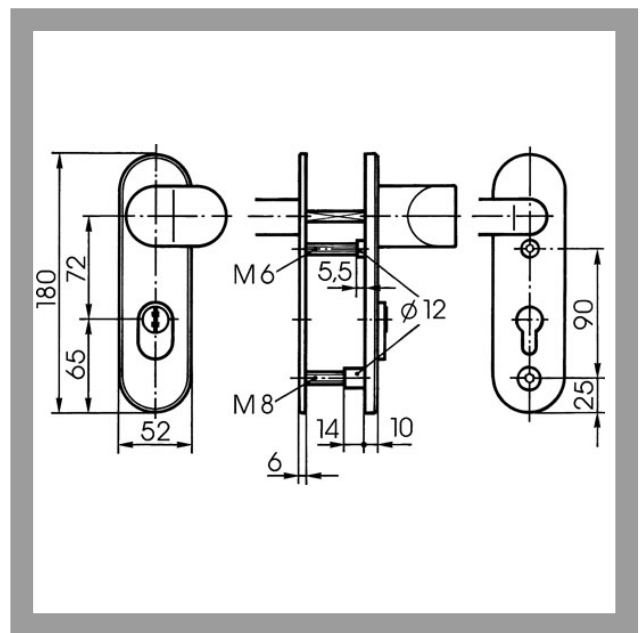
IKON security fittings with profile locking cylinder cut-out and a cylinder cover ensure that mortise locks and locking cylinders are securely mounted on house and apartment entrance doors. They effectively resist intrusion attempts involving drilling, break-in and extraction of the cylinder.

IKON
ASSA ABLOY

ASSA ABLOY, the global leader
in door opening solutions

S428 Steel security fitting with cylinder cover - angled knob/handle

Short backplate for apartment doors



Product description

- Resistance class DIN 18257 ES1 ZA, reg. no. 4X019. VdS approval class A
- Distance 72mm
- 8mm spindle
- Material: solid steel internal backplate
- Material external backplate: solid steel, hardened
- External backplate thickness 10mm - Internal backplate thickness 6mm
- Standard door thickness 36-43mm (TS=40)
- Other door thicknesses available (thickness in mm): TS=45 (38-45); TS=50 (43-50); TS=55 (48-54); TS=60 (48-60); TS=65 (58-64); TS=70 (63-70); TS=75 (68-74); TS=80 (73-80); TS=85 (78-84); TS=90 (83-90); TS=95 (88-94); TS=100 (93-104); TS=110 (103-114)
- Handle and knob set anodised aluminium finish to suit backplates
- Standard finish nickel silver (FB=F2)
- Alternative colour silver (FB=F1)
- Fixing of external backplate from inside with 2 highly traction-resistant through bolts (1 x M8, 1 x M6) in strengthened threaded bushes with drilling protection
- For cylinder projection from 9 to 13.5mm
- Double screwed joint

Accessories/Individual parts

- Steel shim for short backplate S421
- Standard cylinder cover 1970,VAR=0
- Cylinder cover - with broad slot 1970,VAR=A
- Cylinder cover - for Winkhaus BlueChip 1970,VAR=B
- Cylinder cover - Verso 1970,VAR=VERSO

Compatible ASSA ABLOY products

- Double cylinder .551
- Double cylinder .531

Scope of delivery

- 1 Set with fixing material

ZIKON
ASSA ABLOY

S428 Steel security fitting with cylinder cover - angled knob/handle

Short backplate for apartment doors

Article-No.	FB=	TS=
S428	F2	40 (36- 43)
	F2	45 (38- 45)
	F2	50 (43- 50)
	F2	55 (48- 54)
	F2	60 (48- 60)
	F2	65 (58- 64)
	F2	70 (63- 70)
	F2	75 (68- 74)
	F2	80 (73- 80)
	F2	85 (78- 84)
	F2	90 (83- 90)
	F2	95 (88- 94)
	F2	100 (93- 104)
	F2	110 (103- 114)
	F1	40 (36- 43)
	F1	45 (38- 45)
	F1	50 (43- 50)
	F1	55 (48- 54)
	F1	60 (48- 60)
	F1	65 (58- 64)
	F1	70 (63- 70)
	F1	75 (68- 74)
	F1	80 (73- 80)
	F1	85 (78- 84)
	F1	90 (83- 90)



ASSA ABLOY
Sicherheits Technik GmbH
Goerzallee 299
14167 Berlin
berlin@assaabloy.de
Tel. +4930 8106-0
Fax +4930 8106-26 00
www.assaabloy.de

ASSA ABLOY, the global leader
in door opening solutions

S428 Steel security fitting with cylinder cover - angled knob/handle

Short backplate for apartment doors

Article-No.	FB=	TS=
	F1	95 (88- 94)
	F1	100 (93- 104)
	F1	110 (103- 114)



ASSA ABLOY
Sicherheitstechnik GmbH
Goerzallee 299
14167 Berlin
berlin@assaabloy.de
Tel. +4930 8106-0
Fax +4930 8106-26 00
www.assaabloy.de

ASSA ABLOY, the global leader
in door opening solutions