

S4K3,VAR=FS Steel security fitting with cylinder cover - handle/handle

Door fittings

Special security fittings



Short backplate for fire doors



IKON provides a broad selection of security fittings and escutcheons, with or without cylinder covers. The wide range of IKON fittings is suitable for house and apartment doors, interior and exterior doors and doors made of all conventional materials. It encompasses a variety of handle fittings, a broad range of anodised finishes and colours and a quality spectrum ranging from solid aluminium fittings to premium security steel fittings. Solid steel with drilling protection and internal screw fittings with high tensile resistance form a practically impervious shield for locking cylinders.

Area of Application

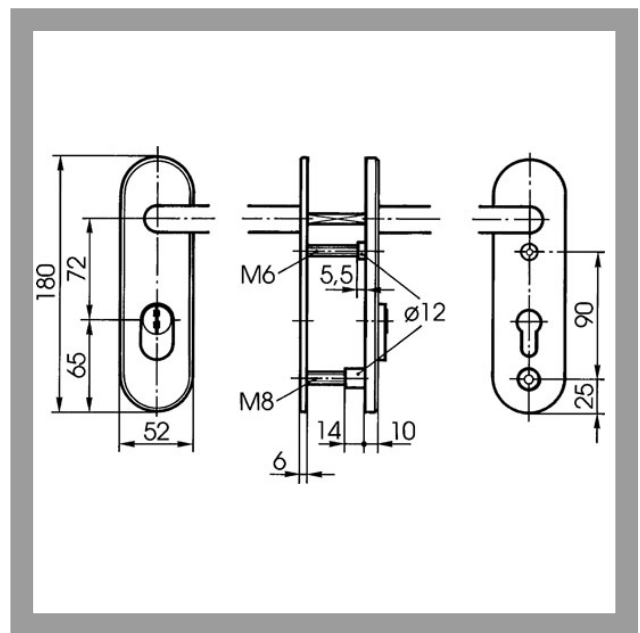
These IKON security fittings are approved for use on fire doors conforming to DIN 18273 but not suitable for use on metal frame doors.

IKON
ASSA ABLOY

ASSA ABLOY, the global leader
in door opening solutions

S4K3,VAR=FS Steel security fitting with cylinder cover - handle/handle

Short backplate for fire doors



Product description

- Expert appraisal - MPA Nordrhein- Westphalen, DIN 18273, DIN 18257 ES1 ZA, Reg. 4X019, VdS approval class A
- Suitable for fire doors
- Distance 72mm
- 9mm spindle
- Material: solid steel internal backplate
- Material external backplate: solid steel, hardened
- External backplate thickness 10mm - Internal backplate thickness 6mm
- Standard door thickness 38-43mm (TS=40)
- Other door thicknesses available (thickness in mm): TS=45 (41-45); TS=50 (41-50); TS=55 (48-54); TS=60 (53-60); TS=65 (58-64); TS=70 (63-74); TS=75 (68-74); TS=80 (73-80); TS=85 (78-84); TS=90 (83-90); TS=95 (88-94); TS=100 (93-104); TS=110 (103-114)
- Handle anodised aluminium with steel core
- Standard finish nickel silver (FB=F2)
- Alternative colour silver (FB=F1)
- Fixing of external backplate from inside with 2 highly traction-resistant through bolts (1 x M8, 1 x M6) in strengthened threaded bushes with drilling protection
- For cylinder projection from 9 to 13.5mm
- Double screwed joint
- The fitting variant VAR=FS is a fire security fitting checked by MPA Dortmund.

Accessories/Individual parts

- Steel shim for short backplate S421

Compatible ASSA ABLOY products

- Double cylinder .551
- Double cylinder .531

Scope of delivery

- 1 Set with fixing material

ZIKON
ASSA ABLOY

S4K3,VAR=FS Steel security fitting with cylinder cover - handle/handle

Short backplate for fire doors

Article-No.	FB=	TS=
S4K3,VAR=FS	F2	40 (38- 43)
	F2	45 (41- 45)
	F2	50 (41- 50)
	F2	55 (48- 54)
	F2	60 (53- 60)
	F2	65 (58- 64)
	F2	70 (63- 70)
	F2	75 (68- 74)
	F2	80 (73- 80)
	F2	85 (78- 84)
	F2	90 (83- 90)
	F2	95 (88- 94)
	F2	100 (93- 104)
	F2	110 (103- 114)
	F1	40 (38- 43)
	F1	45 (41- 45)
	F1	50 (41- 50)
	F1	55 (48- 54)
	F1	60 (53- 60)
	F1	65 (58- 64)
	F1	70 (63- 70)
	F1	75 (68- 74)
	F1	80 (73- 80)
	F1	85 (78- 84)
	F1	90 (83- 90)



ASSA ABLOY
 Sicherheitstechnik GmbH
 Goerzallee 299
 14167 Berlin
 berlin@assaabloy.de
 Tel. +4930 8106-0
 Fax +4930 8106-26 00
 www.assaabloy.de

ASSA ABLOY, the global leader
 in door opening solutions

S4K3,VAR=FS Steel security fitting with cylinder cover - handle/handle

Short backplate for fire doors

Article-No.	FB=	TS=
	F1	95 (88- 94)
	F1	100 (93- 104)
	F1	110 (103- 114)

ASSA ABLOY
Sicherheitstechnik GmbH
Goerzallee 299
14167 Berlin
berlin@assaabloy.de
Tel. +4930 8106-0
Fax +4930 8106-26 00
www.assaabloy.de



ASSA ABLOY, the global leader
in door opening solutions