

# S643 Steel security fitting with cylinder cover - handle/handle

Door fittings

Security fittings with cylinder cover

Long backplate for metal frame doors  
with continuous screwed joint



IKON provides a broad selection of security fittings and escutcheons, with or without cylinder covers. The wide range of IKON fittings is suitable for house and apartment doors, interior and exterior doors and doors made of all conventional materials. It encompasses a variety of handle fittings, a broad range of anodised finishes and colours and a quality spectrum ranging from solid aluminium fittings to premium security steel fittings. Solid steel with drilling protection and internal screw fittings with high tensile resistance form a practically impervious shield for locking cylinders.

## Area of Application

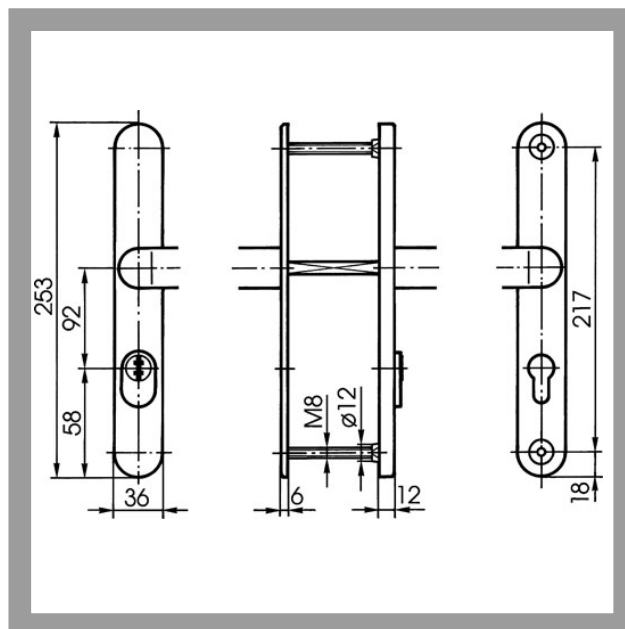
IKON security fittings with profile locking cylinder cut-out and a cylinder cover ensure that mortise locks and locking cylinders are securely mounted on house and apartment entrance doors. They effectively resist intrusion attempts involving drilling, break-in and extraction of the cylinder.

**IKON**  
ASSA ABLOY

ASSA ABLOY, the global leader  
in door opening solutions

# S643 Steel security fitting with cylinder cover - handle/handle

Long backplate for metal frame doors  
with continuous screwed joint



## Product description

- Distance 92mm
- 8mm spindle
- For cylinder projection from 9 to 15.5mm
- External backplate thickness 12mm - Internal backplate thickness 6mm
- Standard door thickness 63-74mm (TS=70)
- Handle anodised aluminium - finish to suit backplates
- Standard finish silver (FB=F1)
- Double screwed joint
- Material internal backplate: solid steel, matt chrome-plated
- Material external backplate: solid steel, hardened, matt chrome-plated
- Other door thicknesses available (thickness in mm): TS=60 (53-64); TS=80 (73-84); TS=90 (83-94)
- Fixing of external backplate from inside with 2 highly traction-resistant through bolts (M8) in strengthened threaded bushes with drilling protection
- IKON steel security fittings for metal frame doors correspond to IKON series S4.. steel security fittings in terms of essential design and quality characteristics
- No DIN or VdS certification

## Accessories/Individual parts

- Standard cylinder cover 1970,VAR=0
- Cylinder cover - with broad slot 1970,VAR=A
- Cylinder cover - for Winkhaus BlueChip 1970,VAR=B
- Cylinder cover - Verso 1970,VAR=VERSO

## Compatible ASSA ABLOY products

- Double cylinder .551
- Double cylinder .531

## Scope of delivery

- 1 Set with fixing material

**IKON**  
**ASSA ABLOY**

ASSA ABLOY, the global leader  
in door opening solutions

# S643 Steel security fitting with cylinder cover - handle/handle

Long backplate for metal frame doors  
with continuous screwed joint

Article-No.	FB=	TS=
S643	F1	40 (33- 44)
	F1	50 (43- 54)
	F1	60 (53- 64)
	F1	70 (63- 74)
	F1	80 (73- 84)
	F1	90 (83- 94)



ASSA ABLOY  
Sicherheitstechnik GmbH  
Goerzallee 299  
14167 Berlin  
berlin@assaabloy.de  
Tel. +4930 8106-0  
Fax +4930 8106-26 00  
www.assaabloy.de

ASSA ABLOY, the global leader  
in door opening solutions