

S6B3,VAR=FS Steel security fitting with cylinder cover - handle/handle

Door fittings

Special security fittings



Short backplate for metal frame doors with continuous screwed joint



IKON provides a broad selection of security fittings and escutcheons, with or without cylinder covers. The wide range of IKON fittings is suitable for house and apartment doors, interior and exterior doors and doors made of all conventional materials. It encompasses a variety of handle fittings, a broad range of anodised finishes and colours and a quality spectrum ranging from solid aluminium fittings to premium security steel fittings. Solid steel with drilling protection and internal screw fittings with high tensile resistance form a practically impervious shield for locking cylinders.

Area of Application

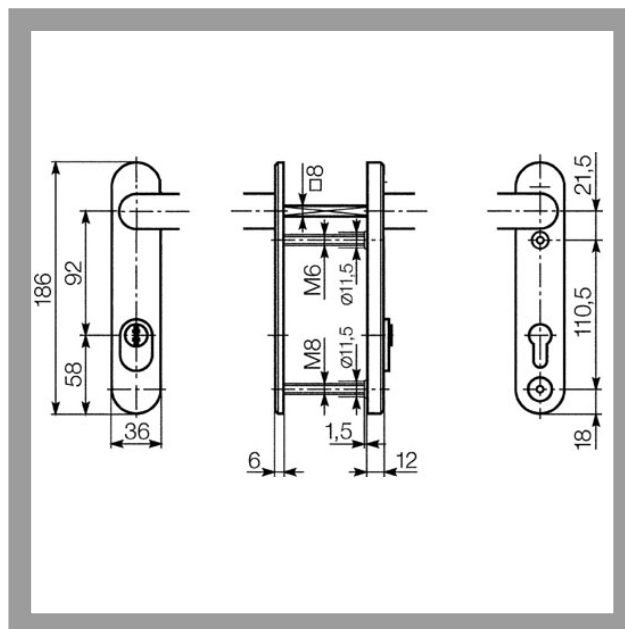
These IKON security fittings are approved for use on fire doors conforming to DIN 18273 and particularly suitable for use on metal frame doors.


ASSA ABLOY

ASSA ABLOY, the global leader
in door opening solutions

S6B3,VAR=FS Steel security fitting with cylinder cover - handle/handle

Short backplate for metal frame doors with continuous screwed joint



Product description

- IKON steel security fittings for metal frame doors correspond to IKON series S4.. steel security fittings in terms of essential design and quality characteristics
- Suitable for fire doors
- Distance 92mm
- 9mm spindle
- Material internal backplate: solid steel, matt chrome-plated
- Material external backplate: solid steel, hardened, matt chrome-plated
- External backplate thickness 12mm - Internal backplate thickness 6mm
- Standard door thickness 34-55mm (TS=50)
- Other door thicknesses available (thickness in mm): TS=60 (54-75)
- Standard finish silver (FB=F1)
- Handle anodised aluminium with steel core
- Handle colour matches escutcheons
- Fixing of external backplate from inside with 2 highly traction-resistant through bolts (1 x M8, 1 x M6) in strengthened threaded bushes with drilling protection
- For cylinder projection from 9 to 15.5mm
- Double screwed joint
- No DIN or VdS certification
- The fitting variant VAR=FS is a fire security fitting checked by MPA Dortmund.

Compatible ASSA ABLOY products

- Double cylinder .551
- Double cylinder .531

Scope of delivery

- 1 Set with fixing material



S6B3,VAR=FS Steel security fitting with cylinder cover - handle/handle

Short backplate for metal frame doors with continuous screwed joint

Article-No.	FB=	TS=
S6B3,VAR=FS	F1	50 (34- 55)
	F1	60 (54- 75)



ASSA ABLOY
Sicherheitstechnik GmbH
Goerzallee 299
14167 Berlin
berlin@assaabloy.de
Tel. +4930 8106-0
Fax +4930 8106-26 00
www.assaabloy.de

ASSA ABLOY, the global leader
in door opening solutions