

# S6B8,AUS=ZA0 Steel security fitting with cylinder cover - angled knob/handle

Door fittings

Special security fittings

Short backplate for metal frame doors with continuous screwed joint



IKON provides a broad selection of security fittings and escutcheons, with or without cylinder covers. The wide range of IKON fittings is suitable for house and apartment doors, interior and exterior doors and doors made of all conventional materials. It encompasses a variety of handle fittings, a broad range of anodised finishes and colours and a quality spectrum ranging from solid aluminium fittings to premium security steel fittings. Solid steel with drilling protection and internal screw fittings with high tensile resistance form a practically impervious shield for locking cylinders.

## Area of Application

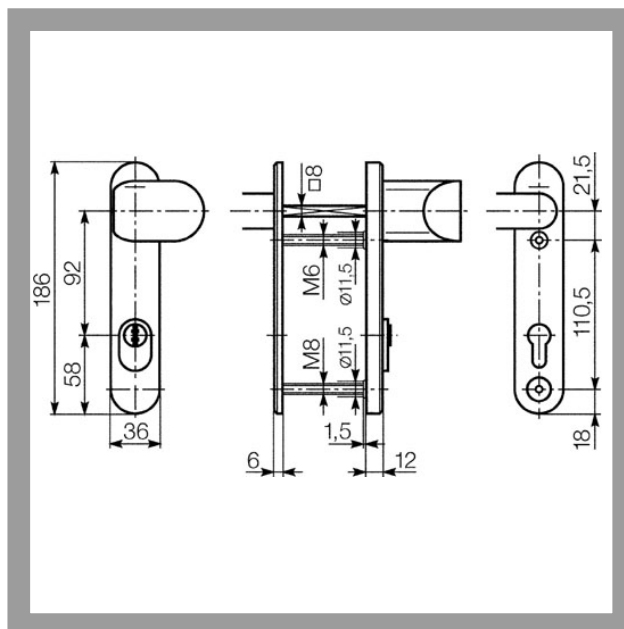
IKON security fittings with profile locking cylinder cut-out and a cylinder cover ensure that mortise locks and locking cylinders are securely mounted on house and apartment entrance doors. They effectively resist intrusion attempts involving drilling, break-in and extraction of the cylinder.

**IKON**  
ASSA ABLOY

ASSA ABLOY, the global leader  
in door opening solutions

# S6B8,AUS=ZA0 Steel security fitting with cylinder cover - angled knob/handle

Short backplate for metal frame doors with continuous screwed joint



## Product description

- Suitable for fire doors
- Distance 92mm
- 8mm spindle
- For cylinder projection from 9 to 15.5mm
- External backplate thickness 12mm - Internal backplate thickness 6mm
- Standard finish silver (FB=F1)
- Standard door thickness 53-64mm (TS=60)
- Material external backplate: solid steel, hardened
- Material: solid steel internal backplate
- Fixing of external backplate from inside with 2 highly traction-resistant through bolts (1 x M8, 1 x M6) in strengthened threaded bushes with drilling protection
- Double screwed joint
- Handle and knob set anodised aluminium finish to suit backplates
- IKON steel security fittings for metal frame doors correspond to IKON series S4.. steel security fittings in terms of essential design and quality characteristics

## Compatible ASSA ABLOY products

- Double cylinder .551
- Double cylinder .531

## Scope of delivery

- 1 Set with fixing material

**IKON**  
**ASSA ABLOY**

# S6B8,AUS=ZA0 Steel security fitting with cylinder cover - angled knob/handle

Short backplate for metal frame doors with continuous screwed joint

Article-No.	FB=	TS=
S6B8,AUS=ZA0	F1	40 (33- 44)
	F1	50 (43- 54)
	F1	60 (53- 64)
	F1	70 (63- 74)
	F1	80 (73- 84)
	F1	90 (83- 94)



ASSA ABLOY  
Sicherheitstechnik GmbH  
Goerzallee 299  
14167 Berlin  
berlin@assaabloy.de  
Tel. +4930 8106-0  
Fax +4930 8106-26 00  
www.assaabloy.de

ASSA ABLOY, the global leader  
in door opening solutions