

# SM12,AUS=B Security fitting 691 with cylinder cover - U- shaped handle/U- shaped handle

Door fittings

Security fittings with cylinder cover

Long backplate for metal frame doors



IKON provides a broad selection of security fittings and escutcheons, with or without cylinder covers. The wide range of IKON fittings is suitable for house and apartment doors, interior and exterior doors and doors made of all conventional materials. It encompasses a variety of handle fittings, a broad range of anodised finishes and colours and a quality spectrum ranging from solid aluminium fittings to premium security steel fittings. Solid steel with drilling protection and internal screw fittings with high tensile resistance form a practically impervious shield for locking cylinders.

#### Area of Application

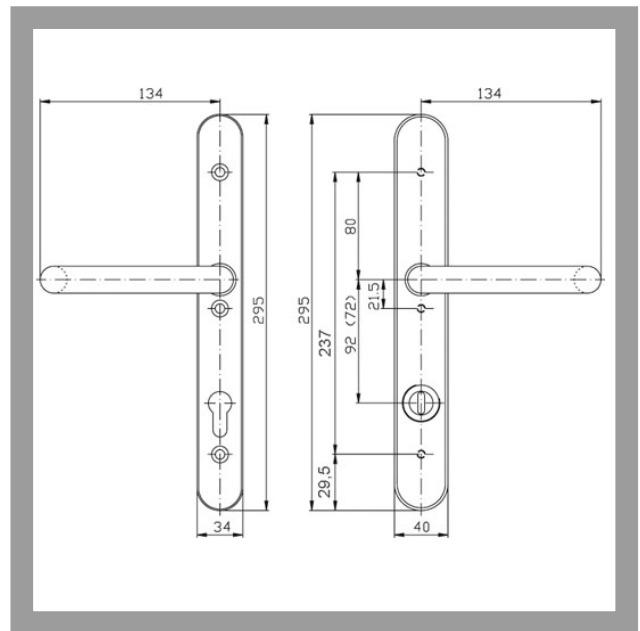
IKON security fittings with profile locking cylinder cut-out and a cylinder cover ensure that mortise locks and locking cylinders are securely mounted on house and apartment entrance doors. They effectively resist intrusion attempts involving drilling, break-in and extraction of the cylinder.

**IKON**  
ASSA ABLOY

ASSA ABLOY, the global leader  
in door opening solutions

# SM12,AUS=B Security fitting 691 with cylinder cover - U- shaped handle/U- shaped handle

Long backplate for metal frame doors



## Product description

- With drilling protection plate effective protection against drilling of mortise lock
- Cylinder cover can be adjusted with thread for cylinder projection of 5 -10mm and 11-16mm
- External backplate thickness 12mm for cylinder projection 5-10mm, External backplate thickness 18mm for cylinder projection 11-16mm
- Screw with drilling protection provided by hardened steel balls
- Distance 72mm with 8mm spindle for apartment entrance doors (ABM=72/8)
- Distance 92mm with 8mm spindle for main entrance doors (ABM=92/8)
- Available for standard metal frame door thicknesses 38-45mm (TS=38-45), prepared for profile cylinder
- Triple screwed joint
- Standard finish anodised silver (FB=F1)
- Other finishes anodised nickel silver (FB=F2), powder coated Meta Color 1003 (FB=MC), powder coated white RAL 9016 (FB=WS)
- Material: aluminium
- Oval design

## Accessories/Individual parts

- Standard spindle ZH 14 1M59
- Socket screw ZH 50 1M67

## Scope of delivery

- 1 Set with fixing material

**ZIKON**  
**ASSA ABLOY**

# SM12,AUS=B Security fitting 691 with cylinder cover - U- shaped handle/U- shaped handle

Long backplate for metal frame doors

Article-No.	FB=	TS=	ABM=	ZUE=
SM12 45992	F2	38-45	72/8	5-10
SM12 45997	F2	38-45	92/8	5-10
SM12 46022	F2	38-45	72/8	11-16
SM12 46027	F2	38-45	92/8	11-16
SM12 45991	F1	38-45	72/8	5-10
SM12 45996	F1	38-45	92/8	5-10
SM12 46021	F1	38-45	72/8	11-16
SM12 46026	F1	38-45	92/8	11-16
SM12 45993	F3	38-45	72/8	5-10
SM12 45998	F3	38-45	92/8	5-10
SM12 46023	F3	38-45	72/8	11-16
SM12 46028	F3	38-45	92/8	11-16
SM12 45994	MC	38-45	72/8	5-10
SM12 45999	MC	38-45	92/8	5-10
SM12 46024	MC	38-45	72/8	11-16
SM12 46029	MC	38-45	92/8	11-16
SM12 45995	WS	38-45	72/8	5-10
SM12 46000	WS	38-45	92/8	5-10
SM12 46025	WS	38-45	72/8	11-16
SM12 46030	WS	38-45	92/8	11-16



ASSA ABLOY  
Sicherheitstechnik GmbH  
Goerzallee 299  
14167 Berlin  
berlin@assaabloy.de  
Tel. +4930 8106-0  
Fax +4930 8106-26 00  
www.assaabloy.de

ASSA ABLOY, the global leader  
in door opening solutions