

SM13,AUS=B Security fitting 381 - handle/handle

Door fittings

Security fittings without cylinder cover

For metal frame doors



IKON provides a broad selection of security fittings and escutcheons, with or without cylinder covers. The wide range of IKON fittings is suitable for house and apartment doors, interior and exterior doors and doors made of all conventional materials. It encompasses a variety of handle fittings, a broad range of anodised finishes and colours and a quality spectrum ranging from solid aluminium fittings to premium security steel fittings. Solid steel with drilling protection and internal screw fittings with high tensile resistance form a practically impervious shield for locking cylinders.

Area of Application

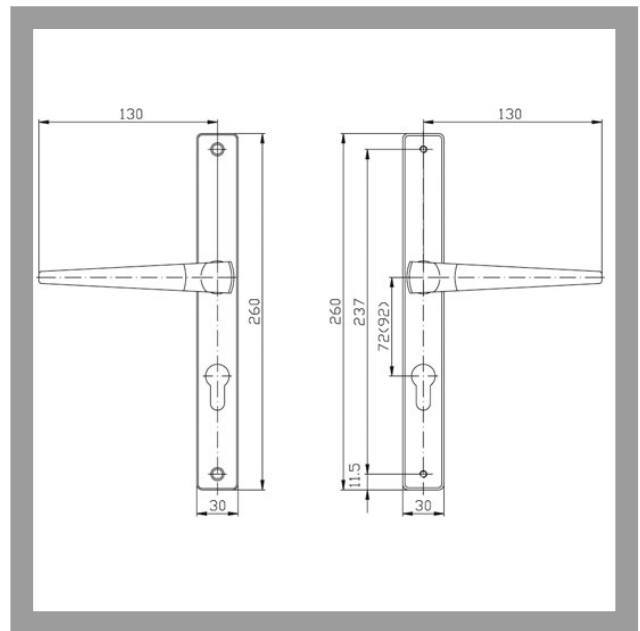
IKON security fittings with profile locking cylinder cut-out and without a cylinder cover ensure that mortise locks and locking cylinders are securely mounted on house and apartment entrance doors. They effectively resist intrusion attempts involving break-in or extraction of the cylinder. A locking cylinder with drilling protection should be utilised when employing security fittings without a cylinder cover.


ASSA ABLOY

ASSA ABLOY, the global leader
in door opening solutions

SM13,AUS=B Security fitting 381 - handle/handle

For metal frame doors



Product description

- With drilling protection plate effective protection against drilling of mortise lock
- External backplate thickness 9mm (ZUE=9) or 14mm (ZUE=14) - Internal backplate thickness 7mm
- Distance 72mm with 8mm spindle for apartment entrance doors (ABM=72/8)
- Distance 92mm with 8mm spindle for main entrance doors (ABM=92/8)
- Double screwed joint
- Standard finish anodised silver (FB=F1)
- Other finishes anodised nickel silver (FB=F2), anodised gold (FB=F3), powder coated Meta Color 1003 (FB=MC), powder coated white RAL 9016 (FB=WS)
- Available for standard metal frame door thicknesses 38-45mm (TS=38-45), prepared for profile cylinder
- Material: aluminium
- Square-edged design

Accessories/Individual parts

- Standard spindle ZH 14 1M59
- Grub screw with hardened cone point ZH51 1M93

Compatible ASSA ABLOY products

- Double cylinder .551
- Double cylinder .531

Scope of delivery

- 1 Set with fixing material



SM13,AUS=B Security fitting 381 - handle/handle

For metal frame doors

Article-No.	FB=	TS=	ABM=	ZUE=
SM13 46051	F1	38-42	72/8	9
SM13 46061	F1	38-42	72/8	14
SM13 46056	F1	38-42	92/8	9
SM13 46066	F1	38-42	92/8	14
SM13 46052	F2	38-42	72/8	9
SM13 46062	F2	38-42	72/8	14
SM13 46057	F2	38-42	92/8	9
SM13 46067	F2	38-42	92/8	14
SM13 46053	F3	38-42	72/8	9
SM13 46063	F3	38-42	72/8	14
SM13 46058	F3	38-42	92/8	9
SM13 46068	F3	38-42	92/8	14
SM13 46054	MC	38-42	72/8	9
SM13 46064	MC	38-42	72/8	14
SM13 46059	MC	38-42	92/8	9
SM13 46069	MC	38-42	92/8	14
SM13 46055	WS	38-42	72/8	9
SM13 46065	WS	38-42	72/8	14
SM13 46060	WS	38-42	92/8	9
SM13 46070	WS	38-42	92/8	14



ASSA ABLOY
Sicherheitstechnik GmbH
Goerzallee 299
14167 Berlin
berlin@assaabloy.de
Tel. +4930 8106-0
Fax +4930 8106-26 00
www.assaabloy.de

ASSA ABLOY, the global leader
in door opening solutions