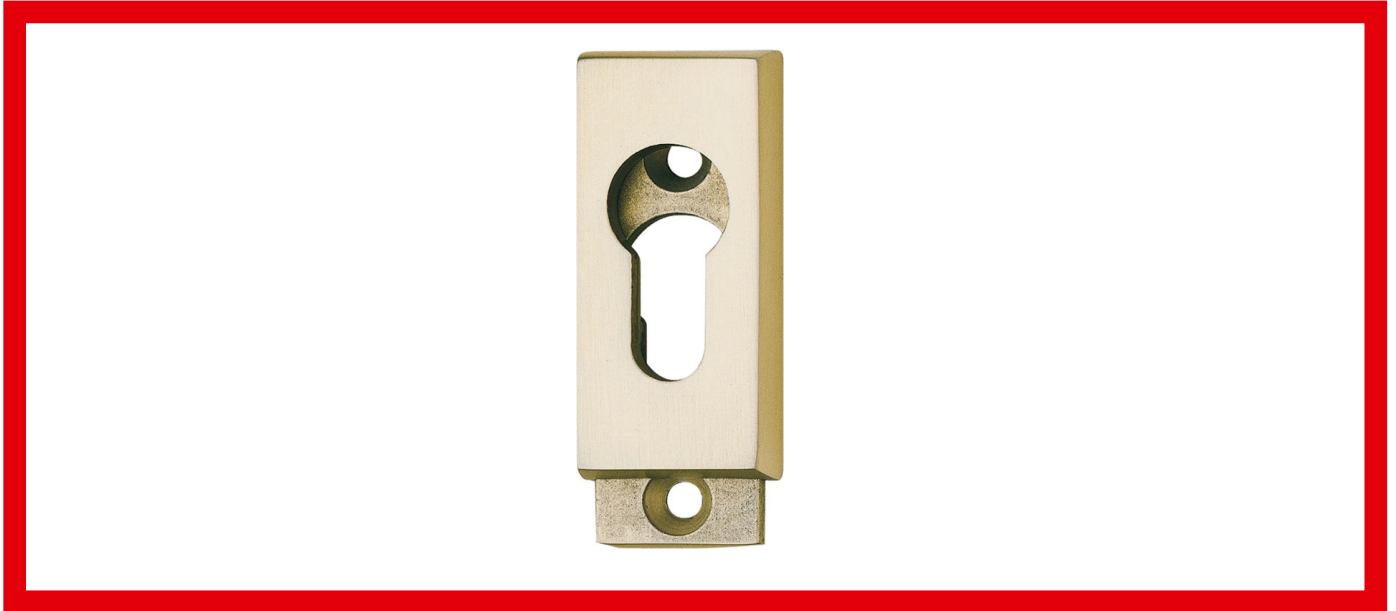


# SM19 Security sliding escutcheon for metal frame doors

Door fittings

Security escutcheons without cylinder cover

Concealed screws



IKON provides a broad selection of security fittings and escutcheons, with or without cylinder covers. The wide range of IKON fittings is suitable for house and apartment doors, interior and exterior doors and doors made of all conventional materials. It encompasses a variety of handle fittings, a broad range of anodised finishes and colours and a quality spectrum ranging from solid aluminium fittings to premium security steel fittings. Solid steel with drilling protection and internal screw fittings with high tensile resistance form a practically impervious shield for locking cylinders.

## Area of Application

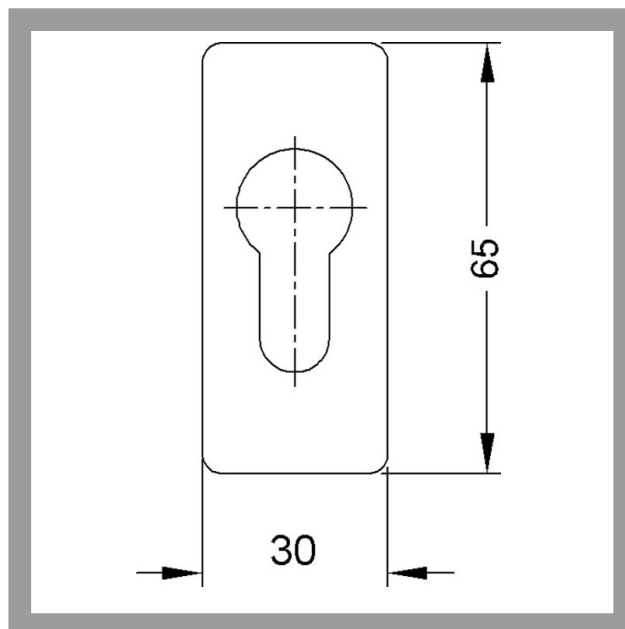
IKON security escutcheons with profile locking cylinder cut-out and without a cylinder cover ensure that locking cylinders are securely mounted on house and apartment entrance doors. They effectively resist intrusion attempts involving break-in or extraction of the cylinder. A locking cylinder with drilling protection should be utilised when employing escutcheons without a cylinder cover.

  
**ASSA ABLOY**

ASSA ABLOY, the global leader  
in door opening solutions

# SM19 Security sliding escutcheon for metal frame doors

Concealed screws



## Product description

- Dimensions 65x30mm
- Available in escutcheons thickness: 10mm (ASS=10)
- Concealed screws
- Prepared for profile cylinder
- Standard finish nickel silver (FB=F2)
- Other colours: silver (FB=F1), gold (FB=F3), Meta Colour 1003 coated (FB=MC), white RAL 9016 coated (FB=WS) and silver (FB=SILVER COATED)
- Material: aluminium
- Square-edged design

## Compatible ASSA ABLOY products

- Double cylinder .551
- Double cylinder .531

## Scope of delivery

- 1 escutcheon with fixing screws



# SM19 Security sliding escutcheon for metal frame doors

Concealed screws

Article-No.	FB=	ASS=
SM19 46192	F2	10
SM19 46190	F1	10
SM19 46194	MC	10
SM19 46196	WS	10

ASSA ABLOY  
Sicherheitstechnik GmbH  
Goerzallee 299  
14167 Berlin  
berlin@assaabloy.de  
Tel. +4930 8106-0  
Fax +4930 8106-26 00  
www.assaabloy.de



ASSA ABLOY, the global leader  
in door opening solutions