

HB73

SUPER HIGH RESOLUTION TRUE DAY/NIGHT BULLET CAMERA WITH INFRARED ILLUMINATORS

The Performance Series rounds out Honeywell's camera portfolio with a variety of indoor, outdoor and low light cameras that lets end users pick the ideal camera for virtually any installation. Perfect for a diverse range of applications, the Performance Series includes a wide range of high performing IR bullet cameras and mini-domes that are easy to install and even easier to use.

The HB73 IR bullet-style camera comes standard with IR illumination, making it perfect for 24/7 surveillance. When the ambient light drops below a user-defined threshold, the IR LEDs activate, a mechanical IR cut filter within the camera switches, and the camera changes automatically from color to black and white, capturing perfect color pictures by day and clear black and white images at night.

The 3.8-9.5 mm F1.2 IR corrected aspherical Vari-focal Auto Iris lens offers a wide field of view range and no focus shift when the camera switches from day to night mode. Digital Noise Reduction (DNR) removes noise artifacts, increasing the performance of motion detection—giving users the ability to record for longer periods using their existing DVR unit. Digital Slow Shutter (DSS) technology improves the light sensitivity of the camera and extends its usable range.

The HB73 installs easily and quickly. It comes standard with a two-conductor pigtail that connects to the barrel connector so there is no need to cut wires during installation. The mounting bracket installs quickly and securely with three screws on walls or ceilings, indoors or out.

Market Opportunities

The HB73 is a cost effective surveillance solution for applications that experience changing light conditions throughout the day and require extra illumination at night. The HB73 offers a simple yet solid design that provides optimum performance for both indoor and outdoor applications including lobbies, atriums, vestibules, gated entrances, foyers, loading docks and driveways.

Features

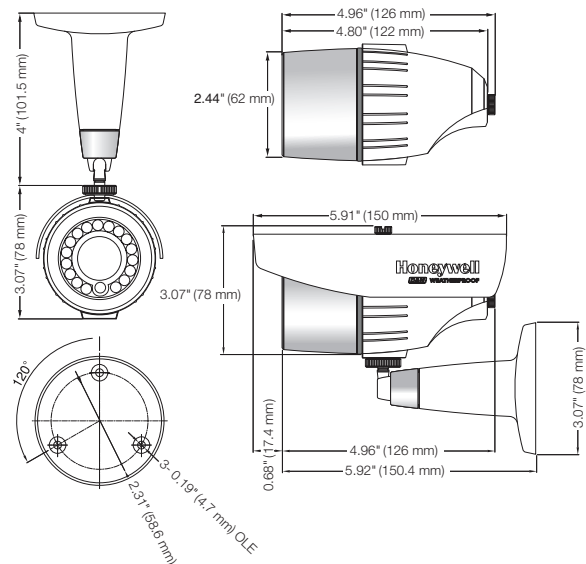
- Discreet, bullet-style camera with switchable IR cut filter and 18 IR LEDs
- Weatherproof housing with IP 65 rating
- 3.8-9.5 mm, F1.2 built-in Vari-focal lens
- Super high resolution color: 550 TVL - 1/3" Sony Super HAD CCD
- Super Digital Noise Reduction technology for noise free images
- IR LED visible range of 65 ft. (20m)
- Easy to install mounting bracket reduces installation time
- Two-conductor pigtail is standard for connection to barrel connector
- Equalization valve prevents vacuum effect caused by sudden changes in barometric pressure



SPECIFICATIONS

Operational	
Video Standard	NTSC, PAL
Scanning System	525/60 lines (NTSC) 625/50 lines (PAL)
Image Sensor	1/3" Sony HAD CCD sensor
Number of Pixels (H x V)	HB73: 811x508 (NTSC) HB73X: 795x596 (PAL)
Minimum Illumination	0.3 lux day/0 lux night, operates in complete darkness
Horizontal Resolution	550 TVL
Video Output	1.0 Vp-p @ 75 Ohms
Sync System	Internal
S/N Ratio	50 dB or more (AGC off)
Auto Gain Control	Off/On
ALC	Adjustable Level Control
Automatic Electronic Shutter	1/60–1/120,000 sec (NTSC) 1/50–1/120,000 sec (PAL)
Lens Type	3.8-9.5 mm Vari-focal lens, IR corrected F1.2
Horizontal Field of View	64.4 to 28.6°
White Balance	Auto
BLC	Off/On
Gamma	0.45
IR LEDs	850 nm, 18 LEDs
IR Illumination Distance	65 ft (20m)
DNR	Auto
DSS	Max 32X
Electrical	
Input Voltage	12 VDC
Input Range	10 VDC – 15 VDC
Power Consumption	4.2 W (max) with IR LEDs on

Mechanical	
Dimensions	See Diagrams
Weight	1.76 lb (0.8 kg)
Construction	Finish: Brushed and anodized aluminum with sunshield
Color	Silver
Connector	Main Video Output: BNC connector Aux Video Output: 2-pin connector with supported BNC lead Power Input: 10 VDC – 15 VDC
Environmental	
Temperature	Operating: 14°F to 113°F (-10°C to 45°C) Storage: -4°F to 149°F (-20°C to 65°C)
Rating	IP65
Regulatory	
Emissions	FCC CE: EN 55022 Class A
Immunity	CE: EN 50130-4
Safety	EU: EN 60065
Accessories	
Power Supplies	
HPT12DC500	12 VAC/500 mA Plug-in Regulated 2.1 mm Coaxial Plug UL Listed/CSA Certified



Ordering	
HB73	1/3" CCD Super High Resolution IR Bullet Camera, TDN, DNR, 550 TVL, 3.8-9.5 mm, 18 IR LED, NTSC
HB73X	1/3" CCD Super High Resolution IR Bullet Camera, TDN, DNR, 550 TVL, 3.8-9.5 mm, 18 IR LED, PAL

Honeywell Security

Honeywell Video Systems
2700 Blankenbaker Pkwy, Suite 150
Louisville, KY 40299
1.800.796.2288 (CCTV)
www.honeywell.com

L/HB73D/D
July 2008
© 2008 Honeywell International Inc.