

T002 Overhead door closer T250 with sliding rail T460 and smoke detector activation device T181

Door closers

Door closer sets



Continuous closing force adjustment
range EN 1-5



IKON door closers are distinguished by their uniform appearance and the identical dimensions of model series T240 and T250 and matching smoke detector activation device thus allowing flexible adaptation to every building requirement. The concealed fixture of the sliding rail is an aesthetic enhancement of the IKON door closer design. IKON model series T250 door closers employ Cam-Motion technology which improves opening comfort due to reduced opening torque. IKON door closers are suitable for all types of installation such as hinge side, side opposite to hinges, head and standard installation. Uniform fixing points ensure that a firm mounting is achieved outside the frame rebate (even without a mounting plate). The 14 mm height adjustment between the closer body and sliding rail is achieved by means of closer axis with variable height. The operating temperature range of the IKON door closer is yet another highlight: high-quality valves and hydraulic fluid achieve maximum locking stability. A high degree of user comfort, as all settings can be adjusted from the front.

Area of Application

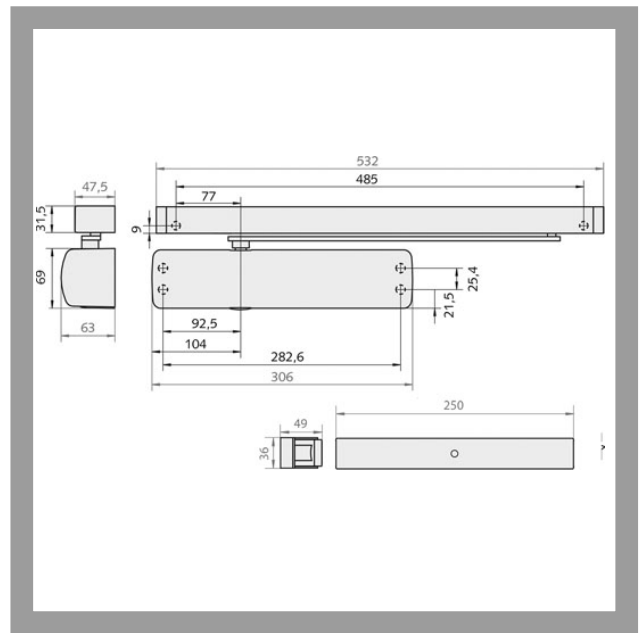
This IKON door closer is suitable for internal and external DIN L/R single action doors. It can be installed on the hinge side (standard installation) or on the door leaf on the side opposite the hinges. It is mounted on doors with electromechanical hold open devices that are automatically closed when the power supply is interrupted. Actuation is realised via the smoke detector activation device. This system is approved by the Building Supervisory Authority. All IKON door closers are particularly suitable for use on highly frequented doors and offer a high degree of accessing comfort. The door closer is suitable for leaf widths up to max. 1,250mm and operates within a temperature range of -15° to +45°. Use on fire and smoke protection doors is only permitted in conjunction with a mounting plate.


ASSA ABLOY

ASSA ABLOY, the global leader
in door opening solutions

T002 Overhead door closer T250 with sliding rail T460 and smoke detector activation device T181

Continuous closing force adjustment
range EN 1-5



Product description

- Cam motion technology and rapidly decreasing opening torque
- Thermodynamic valves ensure consistent closing speed, latching force and backcheck across the entire temperature range from -15°C to +45°C
- 14mm continuous height adjustment between door closer and sliding rail
- Sliding rail with electromechanical hold-open device unit for max. opening angle: Hinge side 130°, opposite side 120°, limitation necessary, e.g. door stop
- Power supply / Power consumption: 24 VDC/60 mA
- Hydraulic latching force, backcheck and closing speed continuously adjustable from outset
- Effective ranges adjustable for backcheck and latching force
- Hold-open bracket within sliding rail continuously adjustable between 80° - 130°
- Hold-open device retention force continuously adjustable
- Cast aluminium door closer body
- Modern design
- Universally suitable and removable cover made of high-quality plastic
- Smoke detector activation device consisting of smoke detector, power supply and actuation device
- Connection options for further smoke detectors for system expansion in accordance with DIBt guidelines for hold-open systems
- Standard finish silver, resembling to RAL 9006 (FB=SGR)
- Other colours: white, similar to RAL 9016 (FB=WS)
- Tested in accordance with EN1154, EN1155, DIBt approval Z-6.5-1725

Accessories/Individual parts

- Mounting plate T104
- Mounting plate T106
- Cover T107

Scope of delivery

- 1 Overhead door closer T250
- 1 sliding rail T460
- 1 smoke detector activation device T181
- 1 drilling template
- fixing material



T002 Overhead door closer T250 with sliding rail T460 and smoke detector activation device T181

Continuous closing force adjustment
range EN 1-5

Article-No.	FB=	Artikel-Nr. Tuerschliesser=	Artikel-Nr. Armsystem=	Artikel-Nr. Rauchschaltzentrale
T002 43325	SGR	T250 41239	T460 41255	¶181 41896
T002 43326	WS	T250 41238	T460 41254	T181 41895



ASSA ABLOY
Sicherheitstechnik GmbH
Goerzallee 299
14167 Berlin
berlin@assaabloy.de
Tel. +4930 8106-0
Fax +4930 8106-26 00
www.assaabloy.de

ASSA ABLOY, the global leader
in door opening solutions