

# T009 Overhead door closer T247 with standard arm T400,AUS=247

Continuous closing force adjustment  
range EN 5-7

Door closers

Door closer sets



IKON door closers are distinguished by their uniform appearance and the identical dimensions of model series T240 and T250. Uniform fixing points ensure that a firm mounting is achieved outside the frame rebate (even without a mounting plate). The 14 mm height adjustment between the lock body and standard arm is achieved by varying the height of the closer axis. Temperature stability is another highlight of the IKON door closer: high-quality valves and hydraulic fluid achieve maximum locking stability. A high degree of user comfort, as all settings can be adjusted from the front.

#### Area of Application

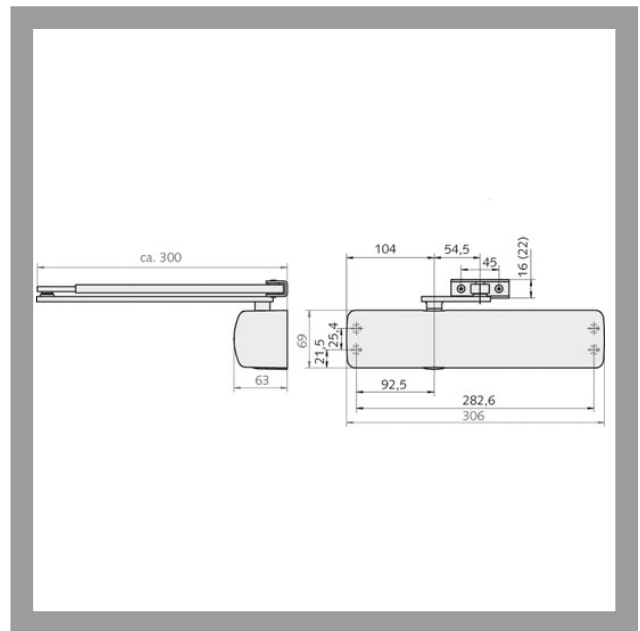
This IKON door closer is suitable for heavy and oversized internal and external DIN L/R single action doors. Normal mounting is realised on the hinge side, with head mounting possible on the side opposite the hinges. The door closer is suitable for leaf widths up to max. 1,600mm and operates within a temperature range of -25° to +45°. Use on fire and smoke protection doors is only permitted in conjunction with a mounting plate.

  
ASSA ABLOY

ASSA ABLOY, the global leader  
in door opening solutions

# T009 Overhead door closer T247 with standard arm T400,AUS=247

Continuous closing force adjustment  
range EN 5-7



## Product description

- Thermodynamic valves ensure consistent closing speed, latching force and backcheck across the entire temperature range from -25°C to +45°C
- 14mm continuous height adjustment between door closer and standard arm
- Standard arm T400, AUS=247: optimum closing force, enables opening of door up to max.180° (depending on door design)
- Hydraulic latching force, backcheck and closing speed continuously adjustable from outset
- Effective ranges adjustable for backcheck and latching force
- Cast aluminium door closer body
- Modern design
- Universally suitable and removable cover made of high-quality plastic
- Standard finish silver, resembling to RAL 9006 (FB=SGR)
- Other colours: white, similar to RAL 9016 (FB=WS) and RAL colours of your choice
- Tested in accordance with EN 1154

## Accessories/Individual parts

- Lintel bracket T103
- Mounting plate T106
- Cover T107

## Scope of delivery

- 1 Overhead door closer T247
- 1 standard arm T400, AUS=247
- 1 drilling template
- fixing material



# T009 Overhead door closer T247 with standard arm T400,AUS=247

Continuous closing force adjustment  
range EN 5-7

Article-No.	FB=	AUS=	Artikel-Nr. Tuerschliesser=	Artikel-Nr. Armsystem=
<b>T009 43347</b>	SGR	247	T247 41235	T400 41412
<b>T009 43348</b>	WS	247	T247 41234	T400 41410
<b>T009 43349</b>	BN	247	T247 41667	T400 41671
<b>T009 R0001</b>	RAL XXXX	247	T247 R0001	T400 R0003

ASSA ABLOY  
Sicherheitstechnik GmbH  
Goerzallee 299  
14167 Berlin  
berlin@assaabloy.de  
Tel. +4930 8106-0  
Fax +4930 8106-26 00  
www.assaabloy.de



ASSA ABLOY, the global leader  
in door opening solutions