

T016 Overhead door closer T243 with sliding rail T460 with smoke detector activation device T181

Door closers

Door closer sets



Continuous closing force adjustment
range EN 1-4



IKON door closers are distinguished by their uniform appearance and the identical dimensions of model series T240 and T250 and matching smoke detector activation device thus allowing flexible adaptation to every building requirement. The concealed fixture of the sliding rail is an aesthetic enhancement of the IKON door closer design. Uniform fixing points ensure that a firm mounting is achieved outside the frame rebate (even without a mounting plate). The 14 mm height adjustment between the lock body and sliding rail is achieved by means of closer axis with variable height. The operating temperature range of the IKON door closer is yet another highlight: high-quality valves and hydraulic fluid achieve maximum locking stability. A high degree of user comfort, as all settings can be adjusted from the front

Area of Application

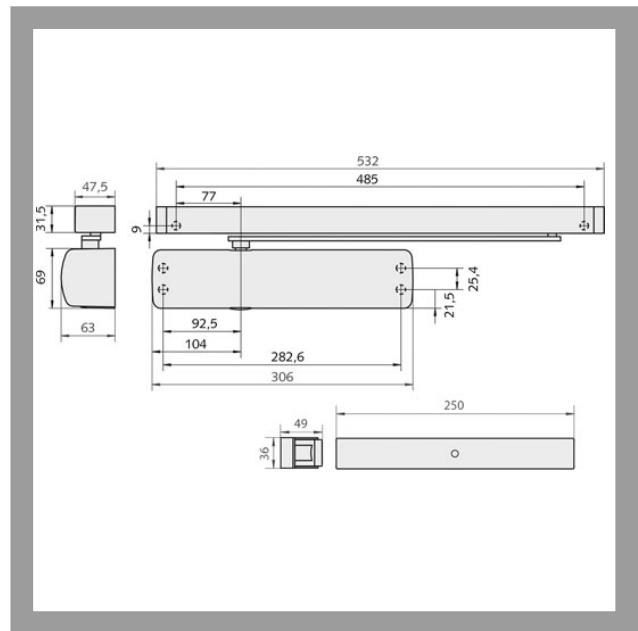
This IKON door is suitable for internal and external DIN L/R single action doors. It can be installed on the hinge side (standard installation) or on the door leaf on the side opposite the hinges. It is mounted on doors with electromechanical hold open devices that are automatically closed when the power supply is interrupted. Actuation is realised via the smoke detector activation device. This system is approved by the Building Supervisory Authority. All IKON door closers are particularly suitable for use on highly frequented doors and offer a high degree of accessing comfort. The door closer is suitable for leaf widths up to max. 1,100mm and operates within a temperature range of -25° to +45°. Use on fire and smoke protection doors is only permitted in conjunction with a mounting plate


ASSA ABLOY

ASSA ABLOY, the global leader
in door opening solutions

T016 Overhead door closer T243 with sliding rail T460 with smoke detector activation device T181

Continuous closing force adjustment
range EN 1-4



Product description

- Thermodynamic valves ensure consistent closing speed, latching force and backcheck across the entire temperature range from -25°C to +45°C
- 14mm continuous height adjustment between door closer and sliding rail
- Sliding rail with electromechanical hold-open device unit for max. opening angle: Hinge side 130°, opposite side 120°, limitation necessary, e.g. door stop
- Power supply / Power consumption: 24 VDC/60 mA
- Hydraulic latching force, backcheck and closing speed continuously adjustable from outset
- Effective ranges adjustable for backcheck and latching force
- Hold-open bracket within sliding rail continuously adjustable between 80° - 130°
- Hold-open device retention force continuously adjustable
- Smoke detector activation device consisting of smoke detector, power supply and actuation device
- Connection options for further smoke detectors for system expansion in accordance with DIBt guidelines for hold-open systems
- Cast aluminium door closer body
- Modern design
- Universally suitable and removable cover made of high-quality plastic
- Standard finish silver, resembling to RAL 9006 (FB=SGR)
- Other colours: white, similar to RAL 9016 (FB=WS)
- Tested in accordance with EN1154, EN1155, DIBt approval Z-6.5-1725

Accessories/Individual parts

- Mounting plate T104
- Mounting plate T106
- Cover T107

Scope of delivery

- 1 Overhead door closer T243
- 1 sliding rail T460
- 1 smoke detector activation device T181
- 1 drilling template
- fixing material



T016 Overhead door closer T243 with sliding rail T460 with smoke detector activation device T181

Continuous closing force adjustment
range EN 1-4

Article-No.	FB=	Artikel-Nr. Tuerschliesser=	Artikel-Nr. Armsystem=	Artikel-Nr. Rauchschaltzentrale
T016 43391	SGR	T243 41227	T460 41255	¶181 41896
T016 43392	WS	T243 41226	T460 41254	T181 41895

ASSA ABLOY
Sicherheitstechnik GmbH
Goerzallee 299
14167 Berlin
berlin@assaabloy.de
Tel. +4930 8106-0
Fax +4930 8106-26 00
www.assaabloy.de



ASSA ABLOY, the global leader
in door opening solutions