

T026 Overhead door closer T241 with sliding rail T450

Continuous closing force adjustment
range EN 1-3

Door closers

Door closer sets



IKON door closers are distinguished by their uniform appearance and the identical dimensions of model series T240 and T250. The concealed fixture of the sliding rail is typical of the IKON door closer design. Uniform fixing points ensure that a firm mounting is achieved outside the frame rebate (even without a mounting plate). The 14 mm height adjustment between the lock body and sliding rail is achieved by varying the height of the closer axis. The operating temperature range of the IKON door closer is yet another highlight: high-quality valves and hydraulic fluid achieve maximum locking stability. A high degree of user comfort, as all settings can be adjusted from the front.

Area of Application

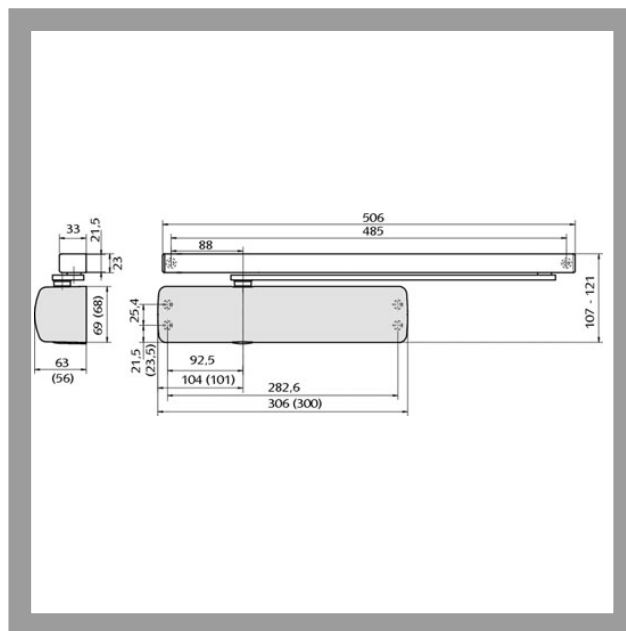
This IKON door closer is suitable for internal and external DIN L/R rebated doors. It can be installed on the hinge side (standard installation) or on the door leaf on the side opposite the hinges. The door closer is suitable for leaf widths up to max. 950mm and operates within a temperature range of -25° to +45°.


ASSA ABLOY

ASSA ABLOY, the global leader
in door opening solutions

T026 Overhead door closer T241 with sliding rail T450

Continuous closing force adjustment
range EN 1-3



Product description

- Thermodynamic valves ensure consistent closing speed, latching force and backcheck across the entire temperature range from -25°C to +45°C
- 14mm continuous height adjustment between door closer and sliding rail
- Max. opening angle: Hinge side 180°, opposite side 120°, limitation necessary, e.g. door stop
- Hydraulic latching force and closing speed continuously adjustable from front
- Adjustable latching force range
- Cast aluminium door closer body
- Modern design
- Universally suitable and removable cover made of high-quality plastic
- Only approved for fire and smoke protection doors with mounting plate
- Standard finish silver, resembling to RAL 9006 (FB=SGR)
- Other colours: white, similar to RAL 9016 (FB=WS) and RAL colours of your choice
- Tested in accordance with EN 1154

Accessories/Individual parts

- Lintel bracket T103
- Mounting plate T106
- Cover T107
- Hold open device T152
- Backcheck T153

Scope of delivery

- 1 overhead door closer T241
- 1 sliding rail T450
- 1 drilling template
- fixing material

ZIKON
ASSA ABLOY

T026 Overhead door closer T241 with sliding rail T450

Continuous closing force adjustment
range EN 1-3

Article-No.	FB=	Artikel-Nr. Tuerschliesser=	Artikel-Nr. Armsystem=
T026 43432	WS	T241 41222	T450 41250
T026 43433	SGR	T241 41223	T450 41251
T026 43434	BN	T241 41665	T450 41673
T026 R0001	RAL XXXX	T241 R0001	T450 R0001



ASSA ABLOY
Sicherheitstechnik GmbH
Goerzallee 299
14167 Berlin
berlin@assaabloy.de
Tel. +4930 8106-0
Fax +4930 8106-26 00
www.assaabloy.de

ASSA ABLOY, the global leader
in door opening solutions