

T220 Door closers

Adjustable closing force - size range EN 2, 3, 4

Door closers

Overhead door closer



IKON door closers are distinguished by their compact design and their appearance adapted to match model series T240 and T250. The operating temperature range of the IKON door closer is yet another highlight: high-quality valves and hydraulic fluid achieve maximum locking stability. A high degree of user comfort, as all settings can be adjusted laterally.

Area of Application

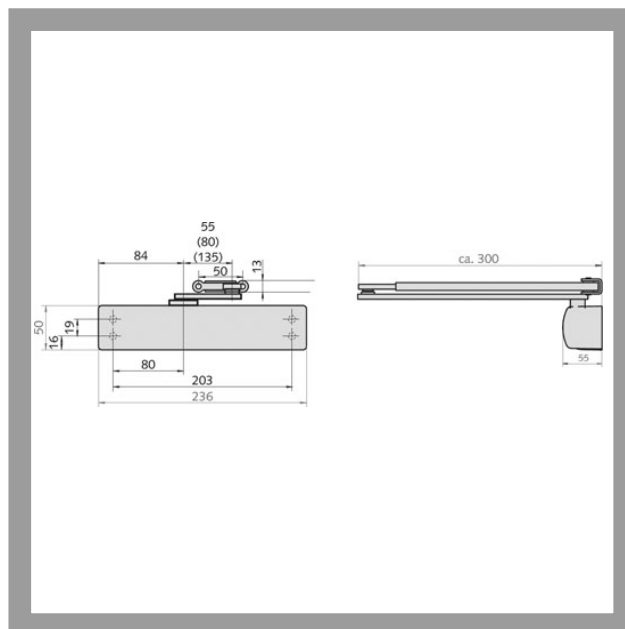
This IKON door closer can be used on internal and external DIN L/R single action doors. Standard mounting on the hinge side, with overhead mounting possible on the side opposite the hinges. The door closer is suitable for leaf widths up to max. 1,100mm and operates within a temperature range of -15° to +45°.



ASSA ABLOY, the global leader
in door opening solutions

T220 Door closers

Adjustable closing force - size range EN 2, 3, 4



Product description

- Consistent closing speed and latching force up to 15°C through use of special oil
- Closing force adjustment through rotation of arm bearing block or changing position of door closer relative to hinge
- Hydraulic latching force and closing speed easily laterally adjustable
- Cast aluminium door closer body
- Modern design
- Removable cover made of high-quality plastic
- Standard finish silver, resembling to RAL 9006 (FB=SGR)
- Other colours: white, similar to RAL 9016 (FB=WS) and brown (FB=BN)
- Tested in accordance with EN 1154

Scope of delivery

- 1 overhead door closer T220 with standard arm
- 1 drilling template
- fixing material



T220 Door closers

Adjustable closing force - size range EN 2,
3, 4

Article-No.	FB=
T220 43441	SGR
T220 43442	WS
T220 43443	BN

ASSA ABLOY
Sicherheitstechnik GmbH
Goerzallee 299
14167 Berlin
berlin@assaabloy.de
Tel. +4930 8106-0
Fax +4930 8106-26 00
www.assaabloy.de



ASSA ABLOY, the global leader
in door opening solutions