

T247 Door closers

Can only be used in combination with compatible standard arm

Door closers

Overhead door closer



IKON door closers are distinguished by their compact design and their appearance adapted to match model series T240 and T250. The operating temperature range of the IKON door closer is yet another highlight: high-quality valves and hydraulic fluid achieve maximum locking stability. A high degree of user comfort, as all settings can be adjusted laterally.

Area of Application

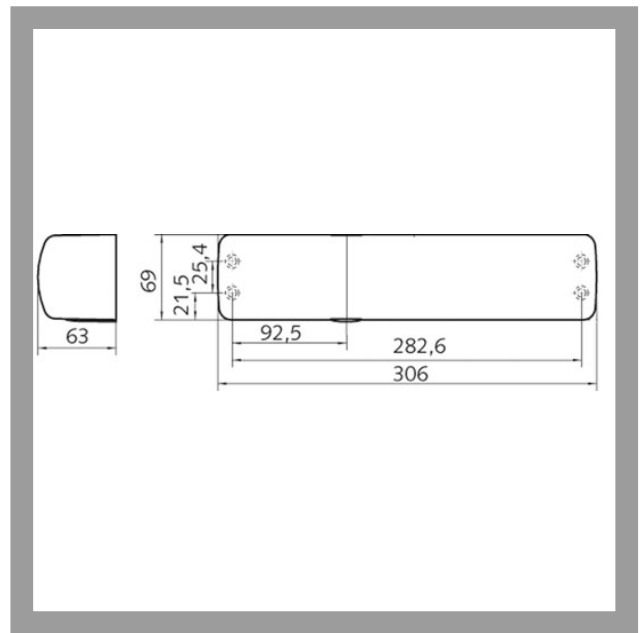
IKON door closers are based on a system solution with a modular structure that makes planning, installation and handling easier than ever. The door closer range encompasses varied model versions in a uniform housing – thus lending door closing elements with different equipment and performance characteristics a uniform appearance. All versions can be mounted on both door sides. Perfectly-controlled closing forces ensure and especially high degree of accessing comfort, while clever functionality greatly facilitates height adjustment. And: IKON door closers function reliably and maintain a practically constant closing time across a broad temperature range from -25 °C to +45 °C.



ASSA ABLOY, the global leader
in door opening solutions

T247 Door closers

Can only be used in combination with compatible standard arm



Product description

- Continuously-adjustable closing force
- Range with standard arm T400,AUS=247 EN 5-7
- Thermodynamic valves ensure consistent closing speed, latching force and backcheck across the entire temperature range from -25°C to +45°C
- 14mm continuous height adjustment between door closer and standard arm
- Hydraulic latching force, backcheck and closing speed adjustable from front
- Effective ranges adjustable for backcheck and latching force
- Cast aluminium door closer body
- Modern design
- Universally suitable and removable cover made of high-quality plastic
- Standard finish silver, resembling to RAL 9006 (FB=SGR)
- Other colours: white, similar to RAL 9016 (FB=WS) and RAL colours of your choice
- Tested in accordance with EN 1154

Accessories/Individual parts

- Lintel bracket T103
- Mounting plate T106
- Cover T107
- Standard arm – special version for T247 T400,AUS=247

Scope of delivery

- 1 overhead door closer T247 without arm and mounting plate



T247 Door closers

Can only be used in combination with compatible standard arm

Article-No.	FB=
T247 41235	SGR
T247 41234	WS
T247 41667	BN
T247 R0001	RAL XXXX

ASSA ABLOY
Sicherheitstechnik GmbH
Goerzallee 299
14167 Berlin
berlin@assaabloy.de
Tel. +4930 8106-0
Fax +4930 8106-26 00
www.assaabloy.de



ASSA ABLOY, the global leader
in door opening solutions