

# T401 Hold- open arm

Door closers

Arm systems and sliding rails



IKON provides a wide range of accessories and spare parts. Please note that the overall quality of IKON products can only be ensured if suitable original components are used.

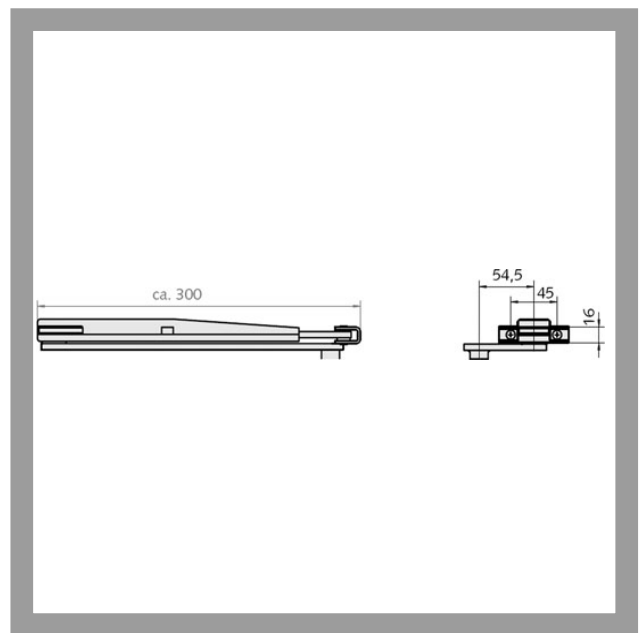
## Area of Application

This IKON arrester arm is suitable for IKON T241 and T243 door closers. It enables temporary manual hold-open of the door to an opening angle of 150°.

 **IKON**  
**ASSA ABLOY**

ASSA ABLOY, the global leader  
in door opening solutions

# T401 Hold- open arm



## Product description

- Mechanical hold-open with on/off function integrated in arm system
- Hold-open bracket continuously adjustable up to max. 150°
- Standard finish silver, resembling to RAL 9006 (FB=SGR)
- Other colours: white, similar to RAL 9016 (FB=WS), brown (FB=BN) and RAL colours of your choice
- Material: steel

## Compatible ASSA ABLOY products

- Door closers T241
- Door closers T243

## Scope of delivery

- 1 hold-open arm T401 without fixing material



# T401 Hold- open arm

Article-No.	FB=
T401 41247	SGR
T401 41246	WS
T401 41672	BN
T401 R0001	RAL XXXX

ASSA ABLOY  
Sicherheitstechnik GmbH  
Goerzallee 299  
14167 Berlin  
berlin@assaabloy.de  
Tel. +4930 8106-0  
Fax +4930 8106-26 00  
www.assaabloy.de



ASSA ABLOY, the global leader  
in door opening solutions