

SM08,AUS=B/VDS Security fitting 751 - handle/handle

Door fittings

Security fittings without cylinder cover



Sandwich design cap fitting



IKON provides a broad selection of security fittings and escutcheons, with or without cylinder covers. The wide range of IKON fittings is suitable for house and apartment doors, interior and exterior doors and doors made of all conventional materials. It encompasses a variety of handle fittings, a broad range of anodised finishes and colours and a quality spectrum ranging from solid aluminium fittings to premium security steel fittings. Solid steel with drilling protection and internal screw fittings with high tensile resistance form a practically impervious shield for locking cylinders.

Area of Application

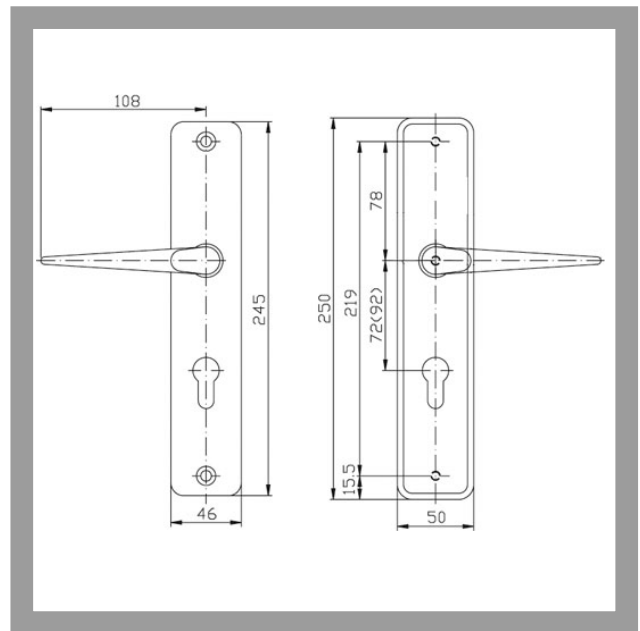
IKON security fittings with profile locking cylinder cut-out and without a cylinder cover ensure that mortise locks and locking cylinders are securely mounted on house and apartment entrance doors. They effectively resist intrusion attempts involving break-in or extraction of the cylinder. A locking cylinder with drilling protection should be utilised when employing security fittings without a cylinder cover.


ASSA ABLOY

ASSA ABLOY, the global leader
in door opening solutions

SM08,AUS=B/VDS Security fitting 751 - handle/handle

Sandwich design cap fitting



Product description

- With hardened steel insert coated in plastic for effective drilling protection
- External backplate thickness 10mm (ZUE=10) or 15mm (ZUE=15), internal backplate thickness 7mm
- Distance 72mm with 8mm spindle for apartment entrance doors (ABM=72/8)
- Distance 92mm with 10mm spindle for main entrance doors (ABM=92/10)
- Double screwed joint
- Standard finish nickel silver (FB=F2)
- Alternative colours: silver (FB=F1) gold (FB=F3), Meta Colour 1003 coated (FB=MC), white RAL 9016 coated (FB=WS)
- Available for standard internal door thicknesses 38-45mm (TS=38-45) and standard external door thicknesses 48-55mm (TS=48-55), prepared for profile cylinder
- Material: Aluminium cap external backplate
Internal backplate aluminium

Accessories/Individual parts

- A-half spindle with M6-thread ZH 8 A 1M54
- Socket screw ZH 50 1M67

Compatible ASSA ABLOY products

- Double cylinder .551
- Double cylinder .531

Scope of delivery

- 1 Set with fixing material

ZIKON
ASSA ABLOY

SM08,AUS=B/VDS Security fitting 751 - handle/handle

Sandwich design cap fitting

Article-No.	FB=	TS=	AUS=	ABM=	ZUE=
SM08 45627	F2	38-45	B/VDS B	72/8	10
SM08 45602	F2	38-45	B/VDS B	72/8	15
SM08 45637	F2	48-55	B/VDS B	92/10	10
SM08 45607	F2	48-55	B/VDS B	92/10	15
SM08 45626	F1	38-45	B/VDS B	72/8	10
SM08 45601	F1	38-45	B/VDS B	72/8	15
SM08 45636	F1	48-55	B/VDS B	92/10	10
SM08 45606	F1	48-55	B/VDS B	92/10	15
SM08 45628	F3	38-45	B/VDS B	72/8	10
SM08 45603	F3	38-45	B/VDS B	72/8	15
SM08 45638	F3	48-55	B/VDS B	92/10	10
SM08 45608	F3	48-55	B/VDS B	92/10	15
SM08 45629	MC	38-45	B/VDS B	72/8	10
SM08 45604	MC	38-45	B/VDS B	72/8	15
SM08 45639	MC	48-55	B/VDS B	92/10	10
SM08 45609	MC	48-55	B/VDS B	92/10	15
SM08 45630	WS	38-45	B/VDS B	72/8	10
SM08 45605	WS	38-45	B/VDS B	72/8	15
SM08 45640	WS	48-55	B/VDS B	92/10	10
SM08 45610	WS	48-55	B/VDS B	92/10	15



ASSA ABLOY
Sicherheitstechnik GmbH
Goerzallee 299
14167 Berlin
berlin@assaabloy.de
Tel. +4930 8106-0
Fax +4930 8106-26 00
www.assaabloy.de

ASSA ABLOY, the global leader
in door opening solutions