

Viewguard PIR Motion detectors

Passive infrared motion detector

Variations:

- Viewguard PIR AM BUS-2/BUS-1
- Viewguard PIR BUS-2/BUS-1
- Viewguard PIR AM FAI
- Viewguard PIR FAI



The Viewguard PIR detectors are motion detectors based on the **passive infrared** principle.

To ensure optimum detection, detectors are equipped with high-quality mirror optics. Standard equipment includes a mirror for area optics. If required, the detectors can be retrofitted to long-range or curtain optics with accessories that are available separately.

The detectors are suitable for intrusion alarm panels with BUS-2/BUS-1- or conventional connection technology and are available with or without **Anit-Mask** function (monitoring against covering).

Performance features

Approvals / conformity

- Viewguard PIR AM:
VdS approval Class C (No. see page 3)
EN 50131-1 and EN 50131-2-2 grade 3
- Viewguard PIR:
VdS approval Class B (No. see page 3)
EN 50131-1 and EN 50131-2-2 grade 2

Anti-Mask function (only AM detectors)

- Detects covering, spraying or taping of the foil.

LED indication

- Clearly arranged indication of operating state via two LEDs.
Walktest indication.

FAI-logic (First alarm indication, all types)

- The detector that is triggered first, can be identified with the aid of the LED indication.

Walk test function

- Easy way to check function and detection area.

Detector zone (only BUS detectors)

- Integration of contacts/potential-free detectors in the BUS-2/ BUS-1 system (zone not erasable).

Detection range

- Range programmable in four stages.

Detection sensitivity

- Sensitivity programmable in two stages.

Save fault / do not save fault

- Save: Fault is saved until it is cleared.
- Do not save: Fault signal is reset automatically after eliminating the fault.

Self-test (only AM detectors)

- Correct functioning of the detector is monitored in cycles.

Monitoring of operating voltage

- Fault message if the operating voltage drops to low.

Temperature measurement (only BUS-2 application)

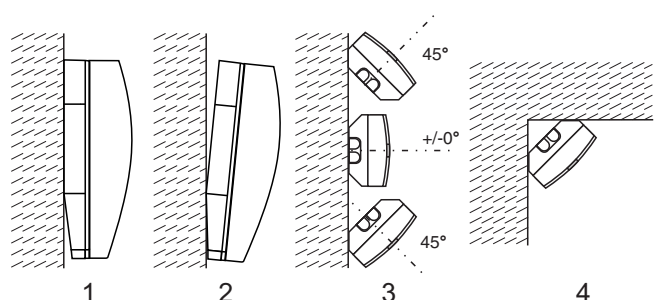
- Temperature alarm if ambient temperature is too high/too low. Programmable alarm thresholds.

Tear-off protection/Cover contact

- For installation as per EN 50131-2-2 grade 3

Variety of mounting possibilities (see illustration)

- Vertical 0° (1) or at a 3° downward angle (2).
- Horizontal 0° or at a 45° angle to the left or right (3).
- Corner mounting (4).
- Mounting on adjustable joint (accessories).



Detection range

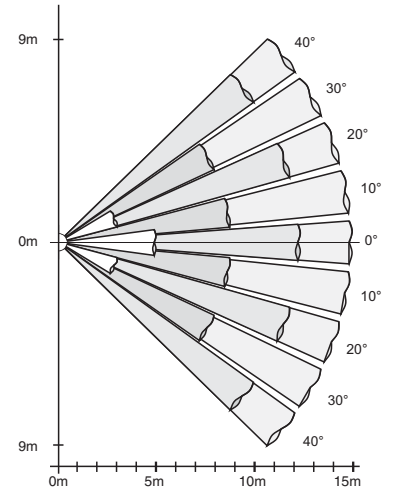
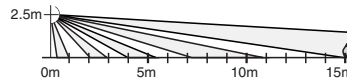
Recommended mounting height **2.5 m** for optimal operating sensitivity.

Typical detection coverage with range setting 15 m:

- **Area optics with sneak-by guard:**

Lens splitting	22 zones at 5 levels
Opening angle	80° hor., 64° vert.
Range	8 / 11 / 13 / 15 m

Mounting 0° inclination



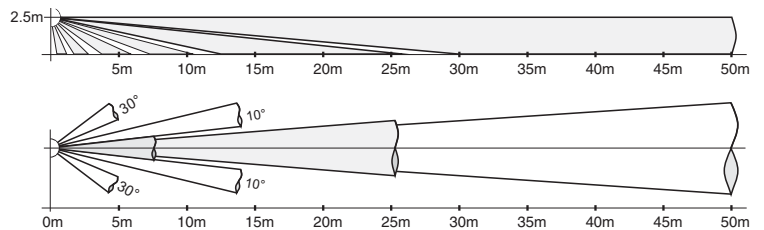
Depending on the detector application, the mirror optics can be exchanged on site. Mirror sets for route or curtain optics are available for this purpose (see accessories).

- **Long-range optics** (Item no. 033435)

Suitable for monitoring corridors

Lens splitting	8 zones on 6 levels
Opening angle	30° hor., 78° vert.
Range	29 / 35 / 42 / 50 m

Mounting 0° inclination

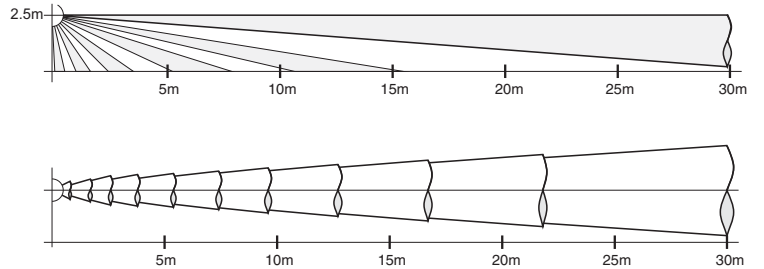


- **Curtain optics** (Item no. 033434)

Suitable for monitoring possible intrusion locations

Lens splitting	11 zones on 11 levels
Opening angle	7.5° hor., 85° vert.
Range	17 / 21 / 25 / 30 m

Mounting 0° inclination

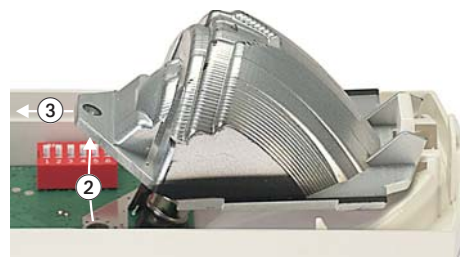


Easy retrofitting of the mirror optics on site:

1. Remove screw
2. Fold up mirror
3. Remove mirror

Installation:

Insert the mirror in reverse order. Insert the screw and tighten slightly. Close housing.



Technical data

Operating voltage U_b	12 V DC
Operating voltage range	8.0 V to 15 V DC
Current consumption at U_b=12 V DC:	
PIR	1.6 mA (BUS-2 and FAI), 3.0 mA (BUS-1)
LED	4 mA
Detection range (programmable):	
Area optics	8 / 11 / 13 / 15 m
Long-range optics (Item no. 033435)	29 / 35 / 42 / 50 m
Curtain optics (Item no. 033434)	17 / 21 / 25 / 30 m
Detection sensitivity (programmable):	normal / high
PIR sensor	temperature compensated
Anti-Mask function (only AM detectors)	up to 30 cm
Contacts: (only FAI detectors)	
Alarm- and fault contact	15 V DC / 0.1 A, Internal resistance $\leq 25 \Omega$
Tamper contact	15 V DC / 0.1 A, Internal resistance $\leq 10 \Omega$
Protection category as per DIN 40 050	IP 30
Environmental class as per VdS	II
Operating temperature range	-10 °C to +55 °C
Storage temperature range	-25 °C to +70 °C
Dimensions W x H x D	64 x 130 x 48 mm
Colour	White (similar to RAL 9010)

VdS approvals

Item no. 033432.20	Viewguard PIR AM BUS-2/BUS-1	G108036 , IDS Class C, with area optics G108037 , IDS Class C, retrofitted with curtain optics G108038 , IDS Class C, retrofitted with long-range optics
Item no. 033332.20	Viewguard PIR BUS-2/BUS-1	G108509 , IDS Class B, with area optics G108510 , IDS Class B, retrofitted with curtain optics G108511 , IDS Class B, retrofitted with long-range optics
Item no. 033430	Viewguard PIR AM EMK	G107087 , IDS Class C, with area optics G107088 , IDS Class C, retrofitted with curtain optics G107091 , IDS Class C, retrofitted with long-range optics
Item no. 033330	Viewguard PIR EMK	G107509 , IDS Class B, with area optics G107510 , IDS Class B, retrofitted with curtain optics G107513 , IDS Class B, retrofitted with long-range optics

Ordering information



033432.20
033430

033332.20
033330

Item no.	Designation
033432.20	Viewguard PIR AM BUS-2/BUS-1
033332.20	Viewguard PIR BUS-2/BUS-1
033430	Viewguard PIR AM FAI
033330	Viewguard PIR FAI

Accessories



033434

033435



033390



033588



033391

Item no.	Designation
Mirrors sets:	
033434	Viewguard PIR Replacement Mirrors Curtain mirror, (PU = 3 piece)
033435	Viewguard PIR Replacement Mirrors Long range mirror, (PU = 3 piece)
Mounting Accessories:	
033390	Adjustable joint for motion detectors suitable for wall and corner mounting horizontal $\pm 20^\circ$, vertical $+4^\circ$ to -8° as per VdS and EN grade 2
033588	Ball-and-socket set for wall and corner mounting horizontal $\pm 45^\circ$, vertical $\pm 20^\circ$ not as per VdS and EN
033391	Seal (PU = 20 piece)

Honeywell Security Group

Novar GmbH
Johannes-Mauthe-Str. 14
72458 Albstadt
Telefon +49(0) 74 31/801-0
Telefax +49(0) 74 31/801-12 20
www.honeywell.com/security/de
info.security.de@honeywell.com

P01542-22-0G0-02
02.2010 • Subject to change without notice
© 2010 Honeywell International Inc.

Honeywell