

Viewguard DUAL AM BUS-2

Viewguard DUAL BUS-2

Motion detector with combined passive infrared and microwave sensor



The Viewguard DUAL / AM BUS-2 motion detectors comprise two sensor systems that operate independently:

- Passive infrared detector and microwave sensor.

The functioning principle of the detector is based on an intelligent linking of the two sensor systems. This type of linking renders the detectors particularly insensitive to air and thermal turbulences. Their distinguishing features being optimum alarm detection and extremely high false alarm security.

To ensure optimum detection, detectors are equipped with high-quality mirror optics.

The detectors are suitable for intrusion alarm panel with BUS-2 technology and are available with or without **Anti-Mask** function (monitoring against covering).

Performance features

Approvals / conformity

Viewguard DUAL AM BUS-2 (033442.10)

- VdS approval G106079 (Class C)
- EN 50131-1 / TS 50131-2-4 grade 3

Viewguard DUAL BUS-2 (033443.10)

- VdS approval G106519 (Class B)
- EN 50131-1 / TS 50131-2-4 grade 2

Anti-Mask function (only 033442.10)

- Detects the covering of the foil at a distance of up to 30 cm, detects the spraying or taping of the foil.

Microwave sensor

- Can be deactivated in the "disarmed" state.

Self-test (only 033442.10)

- Correct functioning of the detector is monitored in cycles.

Monitoring of operating voltage

- If the operating voltage drops below 7.5 V, a fault message is transmitted.

Temperature measurement

- Temperature alarm if ambient temperature is too high. Programmable alarm threshold.

LED indication

- Clearly arranged indication of operating state via two LEDs. Walktest indication.

Detection range

- Range programmable in four stages.

Detection sensitivity

- Sensitivity programmable in two stages.

Save fault / do not save fault

- Save: Fault is saved until it is cleared via the alarm panel.
- Do not save: Fault signal is reset automatically after eliminating the fault.

Walk test function

- Easy way to check function and detection area.

Detector group

- Integration of contacts in the BUS-2 system

Variety of mounting possibilities

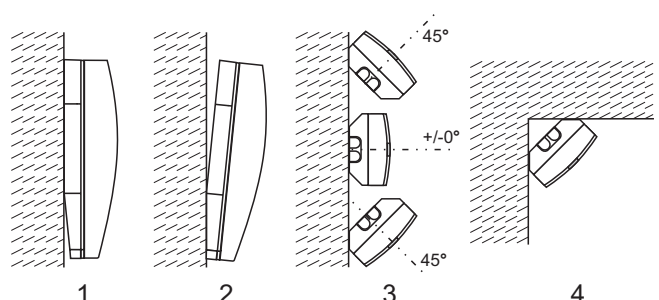
 (see illustration)

- Vertical 0° (1) or at a 3° downward angle (2).
- Horizontal 0° or at a 45° angle to the left or right (3).
- Corner mounting (4).
- Mounting on adjustable joint (accessories).

Tear-off protection/Cover contact

 (only 033442.10)

- For installation as per EN 50131-2-4 grade 3

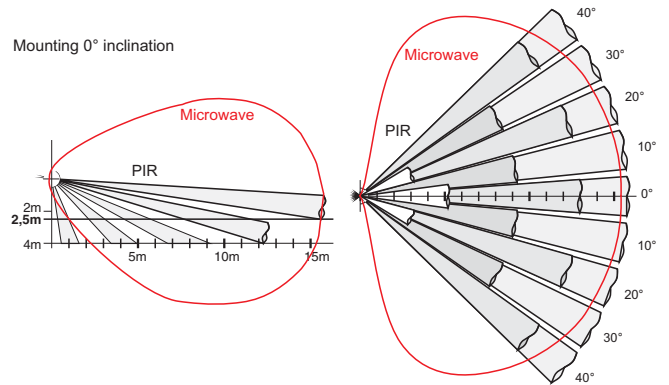


Detection range

• Area optics with sneak-by guard:

Suitable for monitoring rooms of max. 12 m x 12 m.

Lens splitting 22 zones at 5 levels
 Opening angle 80° hor., 64° vert.
 PIR and MW range 8 / 11 / 13 / 15 m
 PIR and MW operate automatically with the same range.



Technical data

Rated operating voltage U_b	12 V DC
Operating voltage range	8 V DC to 15 V DC
Current consumption at U_b=12 V DC:	
Sensors	4.6 mA
LED	4 mA
Detection range (programmable)	8 / 11 / 13 / 15 m
PIR sensor	temperature compensated
Detection sensitivity (programmable)	normal / high
Anti-Mask function (only 033442.10)	up to 30 cm
Frequency microwave	9.35 GHz (X band)
Protection class as per DIN 40 050	IP 30
Environmental class as per VdS	II
Operating voltage range	-10 °C to +55 °C
Dimensions W x H x D	64 x 158 x 48 mm
Colour	white (similar to RAL 9010)

Ordering information



Item no.	Designation
033442.10	Viewguard DUAL AM BUS-2
033443.10	Viewguard DUAL BUS-2

Accessories

Item no.	Designation
033390	Adjustable joint horizontal ±20°, vertical +4° to -8°
033588	Ball-and-socket set for wall and corner mounting
033391	Seal

Honeywell Security Deutschland

Novar GmbH
 Johannes-Mauthe-Str. 14
 72458 Albstadt
 Telefon +49(0) 74 31/801-0
 Telefax +49(0) 74 31/801-12 20
www.honeywell.com/security/de
info.security.de@honeywell.com

P01716-22-0G0-03
 02.2007 • Subject to change without notice
 © 2007 Honeywell International Inc.

