

W315,AUS=LH27 Cylinder padlock - system WSW

Mechanical locking cylinders

Padlocks



A padlock enables you to protect valuables inside and outside a building. IKON provides optimum security - conveniently and safely. IKON padlocks can be employed flexibly and are ideal for securing valuables, even in remote locations. They are available for internal use and as corrosion protected versions for external use. IKON can supply a wide range of padlocks (e.g. as numerical combination locks or padlocks with variable shackle heights for different applications).

Area of Application

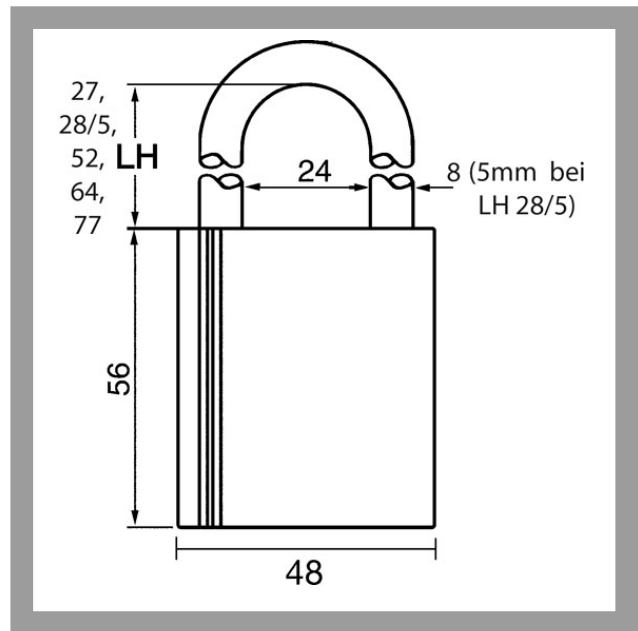
Different IKON padlock versions provide the best solution for every application. IKON padlocks are especially suitable for locking cellars and basements, stables and small gardens, tool sheds and boat houses or wardrobes. Tool trolleys, building vehicles and trailers or oil tank and machine protection equipment is also ideally secured with IKON padlocks. Their weather resistance also makes them ideal for external use on boats or vehicles.

IKON
ASSA ABLOY

ASSA ABLOY, the global leader
in door opening solutions

W315,AUS=LH27 Cylinder padlock - system WSW

With positive locking - key can only be extracted when locked



Product description

- 11 pin tumblers
- Brass cylinder
- Brass housing
- Matt chrome-plated surface
- Standard housing colour black chrome
- Clear vertical shackle height 27 mm
- Other shackle heights (AUS=LH52, 64, 77, 28/5)
- Steel shackle, diameter 8mm, hardened and chrome-plated
- Steel shackle diameter 5mm at shackle height 28mm (AUS=LH28/5), hardened and chrome-plated
- Available for stand-alone locks
- Locking wave (SW=), additional lateral scanning and security card depending on profile (PR=)
- Oval key head shape
- Spherical cylinder core head with reinforced key guide
- Core pins made of special wear-resistant bronze

Compatible ASSA ABLOY products

- Steel cable without padlock 9M74
- Maintenance spray 8511

Scope of delivery

- 1 cylinder padlock
- 2 nickel silver keys



W315,AUS=LH27 Cylinder padlock - system WSW

With positive locking - key can only be extracted when locked

Current profiles for individual locking

Profile (PR=)	Reversible key profile W10
Profile version	67
With security card	Yes
included	
Drilling protection (AB=)	2
Emergency device (GE=)	BS
Locking wave (SW=)	-
VdS class	Class B+
RAL quality symbol	Yes
DIN class	Class 82
Modular system (GBK=)	Yes
Additional lateral pins	5
Factory-keyed profile/Client profile	Factory-keyed profile
Key head shape	Round



ASSA ABLOY
Sicherheitstechnik GmbH
Goerzallee 299
14167 Berlin
berlin@assaabloy.de
Tel. +4930 8106-0
Fax +4930 8106-26 00
www.assaabloy.de

ASSA ABLOY, the global leader
in door opening solutions