

W534,KNF=2 Knob cylinder - system WSW

Mechanical locking cylinders

Knob cylinder

Small tapered knob with 28 mm diameter



Locking cylinders form the core element of secure locking systems and represent IKON's core competency. The product range meets challenging security requirements with sophisticated solutions. High-quality IKON locking cylinders provide high protection against intruders and a huge amount - related to the cylinder type - are certified to meet appropriate standards. Standard equipment in this respect includes anti-drilling devices, security cards and panic functions. Patented profiles are a direct result of decades of experience gained in precision engineering and are effectively equipped against even the latest intrusion or burglary techniques. These features include innovative VECTOR profiles and the IKON reversible key profile WSW-W10.

Area of Application

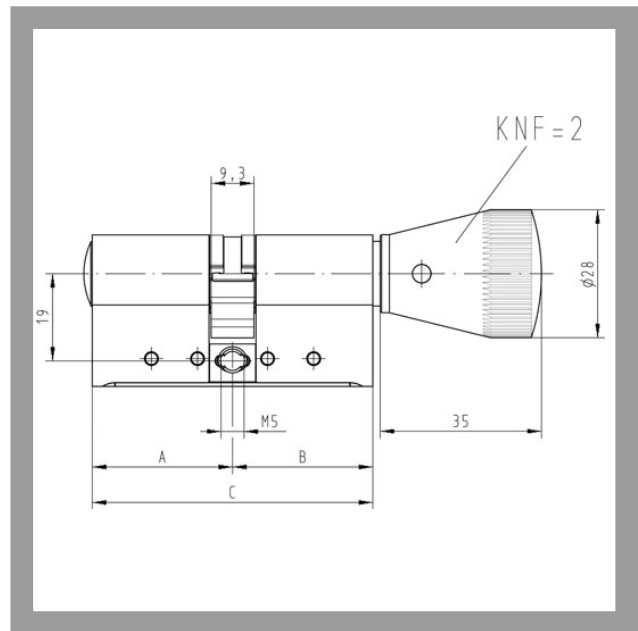
Knob cylinders are frequently used for conference rooms, hotels or care homes and apartment doors. The inner rotary knob is used for simple locking of the door, therefore a key is not required for indoors. IKON supplies different knob designs, ranging for knurled to recessed handle knobs. Due to their characteristics, knob cylinders are especially suitable and easily operated by the young and the elderly.


ASSA ABLOY

ASSA ABLOY, the global leader
in door opening solutions

W534,KNF=2 Knob cylinder - system WSW

Small tapered knob with 28 mm diameter



Product description

- 11 pin tumblers
- Brass cylinder
- Standard knob colour brass, satin nickel-plated (KNF=2MV)
- Other knob colours: brass, mat brushed (KNF=2MG), polished brass (KNF=2MP)
- Standard finish, satin nickel-plated (OF=MV)
- Other surfaces: brass, mat brushed (OF=MG), polished brass (OF=MP)
- Basic cylinder length 61mm (C) - A/B (L=30/30) other installation lengths available
- Modular system for quick and simple length adjustment
- Standard cam position (SST=30°)
- Knob shaft extension in mm (KWV=20, 30, 40, 50, 60, 70, 80, 90, 100)
- Available for stand-alone locks
- Drilling protection 2 (AB=2), additional lateral scanning, with security card
- Certified and marking according to VdS B, DIN class 82 and RAL as standard
- Oval key head shape
- Spherical cylinder core head with reinforced key guide
- Cam made of break and corrosion-resistant nickel silver profile
- Core pins made of special wear-resistant bronze

Accessories/Individual parts

- Cylinder fixing screw 1149

Compatible ASSA ABLOY products

- Maintenance spray 8511
- Garage rod lock standard package 9M31
- Protector bar DRS 8443
- Protector bar DRS 8444
- Protector bar DRS 8446
- Protector bar DRS 8447
- Protector bar DRS 8448
- Protector bar DRS 8449
- Escutcheon with rain protection cover 1279
- Escutcheon with rain protection cover and toggle lock 1288

Scope of delivery

- 1 knob cylinder
- 3 nickel silver keys
- 1 cylinder fixing screw M5 x 85mm

ZIKON
ASSA ABLOY

W534,KNF=2 Knob cylinder - system WSW

Small tapered knob with 28 mm diameter

Current profiles for individual locking

Profile (PR=)	Reversible key profile W10
Profile version	67
With security card	Yes
included	
Drilling protection (AB=)	2
Emergency device (GE=)	BS
Locking wave (SW=)	-
VdS class	Class B+
RAL quality symbol	Yes
DIN class	Class 82
Modular system (GBK=)	Yes
Additional lateral pins	5
Factory-keyed profile/Client profile	Factory-keyed profile
Key head shape	Round



ASSA ABLOY
Sicherheitstechnik GmbH
Goerzallee 299
14167 Berlin
berlin@assaabloy.de
Tel. +4930 8106-0
Fax +4930 8106-26 00
www.assaabloy.de

ASSA ABLOY, the global leader
in door opening solutions