

W933 External and internal cylinder system WSW

Mechanical locking cylinders

External and internal cylinder



Locking cylinders form the core element of secure locking systems and represent IKON's core competency. The product range meets challenging security requirements with sophisticated solutions. High-quality IKON locking cylinders provide high protection against intruders. Standard equipment in this respect includes anti-drilling devices, security cards and panic functions. Patented profiles are a direct result of decades of experience gained in precision engineering and are effectively equipped against even the latest intrusion or burglary techniques. These features include innovative VECTOR profiles and the IKON reversible key profile WSW-W10.

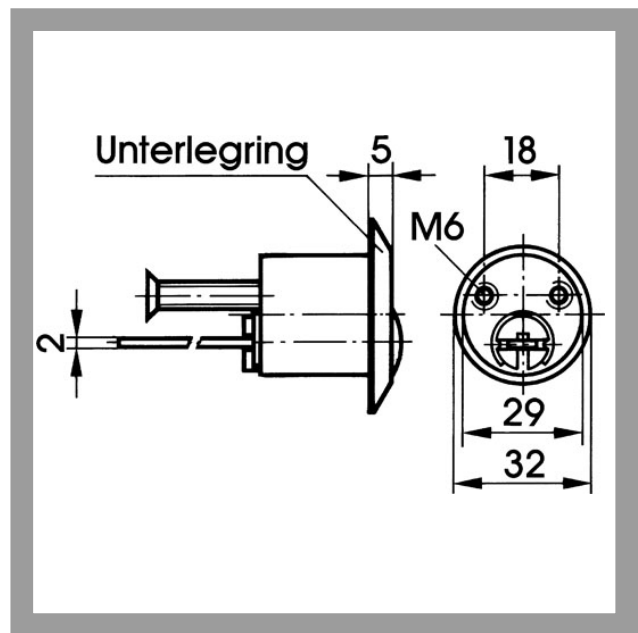
Area of Application

The combination of internal and external cylinders is utilised in conjunction with additional locks (e.g. rim locks and multiple locking systems). This enables actuation of auxiliary locks from inside and outside.

IKON
ASSA ABLOY

ASSA ABLOY, the global leader
in door opening solutions

W933 External and internal cylinder system WSW



Product description

- 11 pin tumblers
- Brass cylinder
- Standard finish, satin nickel-plated (OF=MV)
- Other surfaces: brass, mat brushed (OF=MG), polished brass (OF=MP)
- Available for stand-alone locks
- Drilling protection (AB=), additional lateral scanning, security card depending on profile (PR=)
- Oval key head shape
- Spherical cylinder core head with reinforced key guide
- Core pins made of special wear-resistant bronze
- Both internal and external cylinders are available in P0 system. These should be ordered separately for use in respective rim locks and multiple locking systems.

Accessories/Individual parts

- Fixing screw 1438
- Connection rod 1152
- Shim ring 1156

Compatible ASSA ABLOY products

- Rim lock without cylinder 9133
- Rim lock without cylinder with security link 9136
- Drive unit for multiple locking system without lateral bolt 9257
- Drive unit for multiple locking system with lateral bolt 9258
- Drive unit for multiple locking system with lateral bolt and security link 9259

Scope of delivery

- 1 external and internal cylinder
- 1 shim ring
- 3 nickel silver keys



W933 External and internal cylinder system WSW

Current profiles for individual locking

Profile (PR=)	Reversible key profile W10
Profile version	67
With security card included	Yes
Drilling protection (AB=)	2
Emergency device (GE=)	BS
Locking wave (SW=)	-
VdS class	Class B+
RAL quality symbol	Yes
DIN class	Class 82
Modular system (GBK=)	Yes
Additional lateral pins	5
Factory-keyed profile/Client profile	Factory-keyed profile
Key head shape	Round



ASSA ABLOY
Sicherheitstechnik GmbH
Goerzallee 299
14167 Berlin
berlin@assaabloy.de
Tel. +4930 8106-0
Fax +4930 8106-26 00
www.assaabloy.de

ASSA ABLOY, the global leader
in door opening solutions