

# Z133 Rim lock system SK6

With external and internal cylinder set  
.933

Additional door locks and security devices

Rim locks with mechanical locking cylinders



IKON premium-quality locking cylinders, locks and security fittings constitute the basic equipment of secure house and apartment doors, which are complemented perfectly by IKON additional locks and security devices, not only for doors. Solid rim locks and multiple locking systems, with or without security link, provide effective additional protection as an alternative to built-in multipoint locks. IKON's know-how and decades of experience are reflected in all additional locks and security devices.

## Area of Application

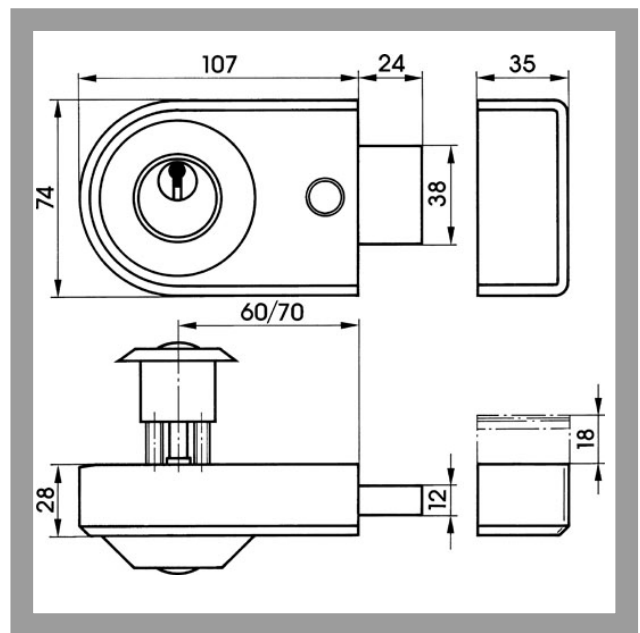
Rim locks are generally fitted in house, apartment and other entrance doors in combination with locking cylinders, mortise locks and security fittings. Rim locks are available in different door hazard warning systems complying with DIN to suit individual installations. Different equipment versions of integrated locking cylinders can be selected. Several cylinders (e.g. double cylinder for the house entrance and locking cylinder for the rim bolt lock) can, of course, be ordered for a uniform locking system, and only a single key can be used for several security components.

  
ASSA ABLOY

ASSA ABLOY, the global leader  
in door opening solutions

# Z133 Rim lock system SK6

With external and internal cylinder set .933



## Product description

- Visual locking display (green/red)
- Standard finish silver grey (FB=SGR)
- Other colours: brown (FB=BN) and white (FB=WS)
- Lock and lock case made of diecast anti-corrosive zinc
- Solid brass bolt, double turn, 24mm projection
- Adjustable backset 60/70mm
- For rebated and non-rebated doors
- Suitable for DIN left (S=R) or DIN right (S=L)
- Brass cylinder
- 6 pin tumblers
- Standard finish, satin nickel-plated (OF=MV)
- Other surfaces: brass, mat brushed (OF=MG), polished brass (OF=MP)
- Drilling protection (AB=), emergency equipment (GE=), locking wave (SW=), additional lateral scanning, security card depending on profile (PR=)
- Spherical cylinder core head with reinforced key guide
- Core pins made of special wear-resistant bronze
- RAL quality symbol, DIN class, depending on profile (PR=)

## Accessories/Individual parts

- Shim for lock case 1949
- Drilling protection for lock cases 1920
- Cylinder cover 1086
- Cylinder cover 1087
- Strike plate for lock case 1938,VAR=1475168
- Strike plate 1938,VAR=1475173
- Strike plate for lock case with angle 1938,VAR=1485433
- Drilling template 1922,VAR=0160450

## Compatible ASSA ABLOY products

- Maintenance spray 8511

## Scope of delivery

- 1 rim lock
- 1 external and internal cylinder set .933
- 1 shim ring
- 3 nickel silver keys
- Lock case shims (2x 1mm und 1x 3mm) for height adjustment up to 18mm



# Z133 Rim lock system SK6

With external and internal cylinder set  
.933

Current profiles for individual locking

Profile (PR=)	Blocking cam profile Vector ...NP	Flat profile Vector FP04	Blocking rib profile Vector 1RP04
<b>Profile version</b>	72	79	76
<b>With security card included</b>	Yes	Yes	Yes
Drilling protection (AB=)	2	2	2
Emergency device (GE=)	BS	BS	BS
Locking wave (SW=)	-	-	-
VdS class	Class B	Class B	Class B+
RAL quality symbol	Yes	Yes	Yes
DIN class	Class 82	Class 82	Class 82
<b>Modular system (GBK=)</b>	optional	-	-
<b>Additional lateral pins</b>	2+2	-	2+2
<b>Factory-keyed profile/Client profile</b>	Client profile	Factory-keyed profile	Factory-keyed profile
<b>Key head shape</b>	Square (colour clip optional)	Square	Square



ASSA ABLOY  
Sicherheitstechnik GmbH  
Goerzallee 299  
14167 Berlin  
berlin@assaabloy.de  
Tel. +4930 8106-0  
Fax +4930 8106-26 00  
www.assaabloy.de

ASSA ABLOY, the global leader  
in door opening solutions

# Z133 Rim lock system SK6

With external and internal cylinder set  
.933

## Current profiles for locking system

Profilobergruppe	Locking wave undercut	Multiprofile	Vector profile 1st security level	Vector profile 2nd security level
<b>Profile version</b>	11	14	15	16
<b>With security card</b>	Yes	Yes	Yes	Yes
<b>Locking system (AA=)</b>	GH, H	GH, H, KH,Z,Z,ZUE	GH, H, KH,Z,Z,ZUE	GH, H,KH,Z,Z,ZUE
<b>Key head shape</b>	Round	Square with (colour clip)	Square	Square
<b>possible equipment</b>				
Drilling protection (AB=)	optional	optional	optional	optional
Emergency device (GE=)	optional	optional	optional	optional
Locking wave (SW=)	1	-	-	-
VdS class	optional (after having technical examined)	optional (after having technical examined)	optional (after having technical examined)	optional (after having technical examined)
<b>Additional lateral pins</b>	pins+strip	pins+strip	pins	pins+strip
<b>standard equipment</b>	Profiles for general master key system and master key system	Separate profiles general master key systems, master key systems and central locking systems	Separate profiles general master key systems, master key systems and central locking systems	Separate profiles general master key systems, master key systems and central locking systems
	10 spring-loaded actively operating tumblers meeting DIN EN1303/2006 and DIN 18252/2006	6 spring loaded, active tumblers complying with DIN EN 1303/2006 and/or DIN 18 252/2006	6 gefederte, aktiv wirkende Zuhaltungen nach DIN EN 1303/2005 bzw. nach DIN 18 252/2006	6 gefederte, aktiv wirkende Zuhaltungen nach DIN EN 1303/2005 bzw. nach DIN 18 252/2006
	Paracentric key profiles with additional encoded locking wave	Keys with combination metal and pvc grip	Paracentric key profile	Paracentric key profiles with additional encoded locking wave
	DIN EN 1303 locking security rating 6, attack resistance 0, optional drilling and extraction protection class 2 DIN 18 252 / 2006 Class 80	DIN EN 1303 locking security rating 6, attack resistance 0, optional drilling and extraction protection class 2 DIN 18 252 / 2006 Class 80	DIN EN 1303 locking security rating 6, attack resistance 0, optional drilling and extraction protection class 2 DIN 18 252 / 2006 Class 80	DIN EN 1303 locking security rating 6, attack resistance 0, optional drilling and extraction protection class 2 DIN 18 252 / 2006 Class 80
	DIN class 82 certification with drilling protection optional, extraction protection on request	DIN class 82 certification with drilling protection optional, extraction protection on request	DIN class 82 certification with drilling protection optional, extraction protection on request	DIN class 82 certification with drilling protection optional, extraction protection on request
	Optional VdS approval, class B, with drilling protection, optionally available with extraction protection	Optional VdS approval, class B, with drilling protection, optionally available with extraction protection	Optional VdS approval, class B, with drilling protection, optionally available with extraction protection	Optional VdS approval, class B, with drilling protection, optionally available with extraction protection



ASSA ABLOY  
Sicherheitstechnik GmbH  
Goerzallee 299  
14167 Berlin  
berlin@assaabloy.de  
Tel. +4930 8106-0  
Fax +4930 8106-26 00  
www.assaabloy.de

ASSA ABLOY, the global leader  
in door opening solutions