

Z258 Drive unit for multiple locking system - system SK6

With external and internal cylinder set
.933

Additional door locks and security devices

Multiple locking systems with mechanical locking cy



IKON premium-quality locking cylinders, locks and security fittings constitute the basic equipment of secure house and apartment doors, which are complemented perfectly by IKON additional locks and security devices, not only for doors. Solid rim locks and multiple locking systems, with or without security link, provide effective additional protection as an alternative to built-in multipoint locks. IKON's know-how and decades of experience are reflected in all additional locks and security devices.

Area of Application

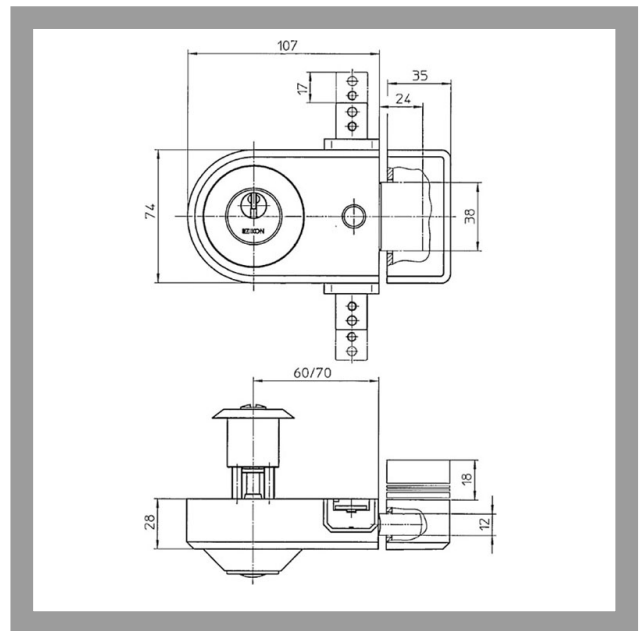
IKON multiple locking systems are generally used on house, apartment and other entrance doors in combination with locking cylinders, mortise locks and security fittings fitted to the door leaf (in contrast to multipoint locking systems integrated in the door leaf). IKON multiple locking systems are available for different DIN door directions, for rebated and non-rebated doors depending on the insulation situation and easy to mount. The integrated locking cylinder is available in different design variants (e.g. drilling protection). Several IKON locking cylinders (e.g. double cylinders for the house entrance door and locking cylinders for the rim lock) are available as keyed-alike versions.




ASSA ABLOY, the global leader
in door opening solutions

Z258 Drive unit for multiple locking system - system SK6

With external and internal cylinder set .933



Product description

- Visual locking display (green/red)
- Standard finish silver grey (FB=SGR)
- Other colours: brown (FB=BN) and white (FB=WS)
- With drilling protection for lock cases
- Die-cast anti-corrosive zinc lock case
- Bolt projection via rods, single turn, 17mm
- Rods and rod covers for door height up to 240cm (1x approx. 1000mm + 1x approx. 1400mm)
- Adjustable backset 60/70mm
- For rebated and non-rebated doors
- Suitable for DIN left (S=R) or DIN right (S=L)
- Brass cylinder
- 6 pin tumblers
- Standard finish, satin nickel-plated (OF=MV)
- Other surfaces: brass, mat brushed (OF=MG), polished brass (OF=MP)
- Drilling protection (AB=), emergency equipment (GE=), locking wave (SW=), additional lateral scanning, security card depending on profile (PR=)
- Spherical cylinder core head with reinforced key guide
- Core pins made of special wear-resistant bronze
- RAL quality symbol, DIN class, depending on profile (PR=)

Accessories/Individual parts

- Bolt for multiple locking system 1080
- Bolt set 1081
- Bolt set 1083
- Shim for lock case 1949
- Cylinder cover 1086
- Cylinder cover 1087
- Drilling protection for lock cases 1920
- Strike plate for lock case 1938,VAR=1475168
- Strike plate 1938,VAR=1475173
- Strike plate for lock case with angle 1938,VAR=1485433

Scope of delivery

- 1 drive unit
- 1 external and internal cylinder set .933
- 1 drilling protection for lock case 1920
- 3 nickel silver keys
- 1 set connection components 1954,AUS=TH240
- Lock case shims (2x 1mm und 2x 3mm) for height adjustment up to 18mm

ZIKON
ASSA ABLOY

Z258 Drive unit for multiple locking system - system SK6

With external and internal cylinder set
.933

Current profiles for individual locking

Profile (PR=)	Blocking cam profile Vector ...NP	Flat profile Vector FP04	Blocking rib profile Vector 1RP04
Profile version	72	79	76
With security card included	Yes	Yes	Yes
Drilling protection (AB=)	2	2	2
Emergency device (GE=)	BS	BS	BS
Locking wave (SW=)	-	-	-
VdS class	Class B	Class B	Class B+
RAL quality symbol	Yes	Yes	Yes
DIN class	Class 82	Class 82	Class 82
Modular system (GBK=)	optional	-	-
Additional lateral pins	2+2	-	2+2
Factory-keyed profile/Client profile	Client profile	Factory-keyed profile	Factory-keyed profile
Key head shape	Square (colour clip optional)	Square	Square



ASSA ABLOY
Sicherheitstechnik GmbH
Goerzallee 299
14167 Berlin
berlin@assaabloy.de
Tel. +4930 8106-0
Fax +4930 8106-26 00
www.assaabloy.de

ASSA ABLOY, the global leader
in door opening solutions

Z258 Drive unit for multiple locking system - system SK6

With external and internal cylinder set
.933

Current profiles for locking system

Profilobergruppe	Locking wave undercut	Multiprofile	Vector profile 1st security level	Vector profile 2nd security level
Profile version	11	14	15	16
With security card	Yes	Yes	Yes	Yes
Llocking system (AA=)	GH, H	GH, H, KHZ,Z,ZUE	GH, H, KHZ,Z,ZUE	GH, H,KHZ,Z,ZUE
Key head shape	Round	Square with (colour clip	Square	Square
possible equipment				
Drilling protection (AB=)	optional	optional	optional	optional
Emergency device (GE=)	optional	optional	optional	optional
Locking wave (SW=)	1	-	-	-
VdS class	optional (after having technical examined)	optional (after having technical examined)	optional (after having technical examined)	optional (after having technical examined)
Additional lateral pins	pins+strip	pins+strip	pins	pins+strip
standard equipment	Profiles for general master key system and master key system	Separate profiles general master key systems, master key systems and central locking systems	Separate profiles general master key systems, master key systems and central locking systems	Separate profiles general master key systems, master key systems and central locking systems
	10 spring-loaded actively operating tumblers meeting DIN EN1303/2006 and DIN 18252/2006	6 spring loaded, active tumblers complying with DIN EN 1303/2006 and/or DIN 18 252/2006	6 gefederte, aktiv wirkende Zuhaltungen nach DIN EN 1303/2005 bzw. nach DIN 18 252/2006	6 gefederte, aktiv wirkende Zuhaltungen nach DIN EN 1303/2005 bzw. nach DIN 18 252/2006
	Paracentric key profiles with additional encoded locking wave	Keys with combination metal and pvc grip	Paracentric key profile	Paracentric key profiles with additional encoded locking wave
	DIN EN 1303 locking security rating 6, attack resistance 0, optional drilling and extraction protection class 2	DIN EN 1303 locking security rating 6, attack resistance 0, optional drilling and extraction protection class 2	DIN EN 1303 locking security rating 6, attack resistance 0, optional drilling and extraction protection class 2	DIN EN 1303 locking security rating 6, attack resistance 0, optional drilling and extraction protection class 2
	DIN 18 252 / 2006 Class 80	DIN 18 252 / 2006 Class 80	DIN 18 252 / 2006 Class 80	DIN 18 252 / 2006 Class 80
	DIN class 82 certification with drilling protection optional, extraction protection on request	DIN class 82 certification with drilling protection optional, extraction protection on request	DIN class 82 certification with drilling protection optional, extraction protection on request	DIN class 82 certification with drilling protection optional, extraction protection on request
	Optional VdS approval, class B, with drilling protection, optionally available with extraction protection	Optional VdS approval, class B, with drilling protection, optionally available with extraction protection	Optional VdS approval, class B, with drilling protection, optionally available with extraction protection	Optional VdS approval, class B, with drilling protection, optionally available with extraction protection



ASSA ABLOY
Sicherheitstechnik GmbH
Goerzallee 299
14167 Berlin
berlin@assaabloy.de
Tel. +4930 8106-0
Fax +4930 8106-26 00
www.assaabloy.de

ASSA ABLOY, the global leader
in door opening solutions