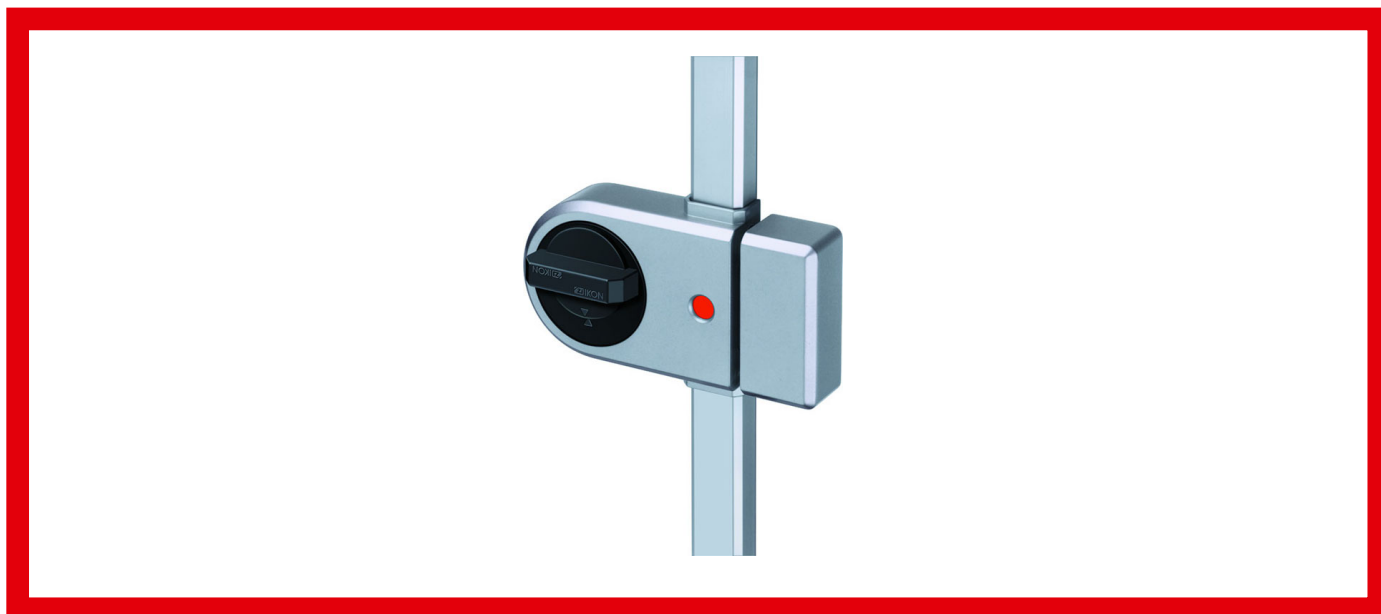


Z261 Drive unit for multiple locking system - system SK6

Additional door locks and security devices

Multiple locking systems with mechanical locking cy

With external cylinder .063



IKON premium-quality locking cylinders, locks and security fittings constitute the basic equipment of secure house and apartment doors, which are complemented perfectly by IKON additional locks and security devices, not only for doors. Solid rim locks and multiple locking systems, with or without security link, provide effective additional protection as an alternative to built-in multipoint locks. IKON's know-how and decades of experience are reflected in all additional locks and security devices.

Area of Application

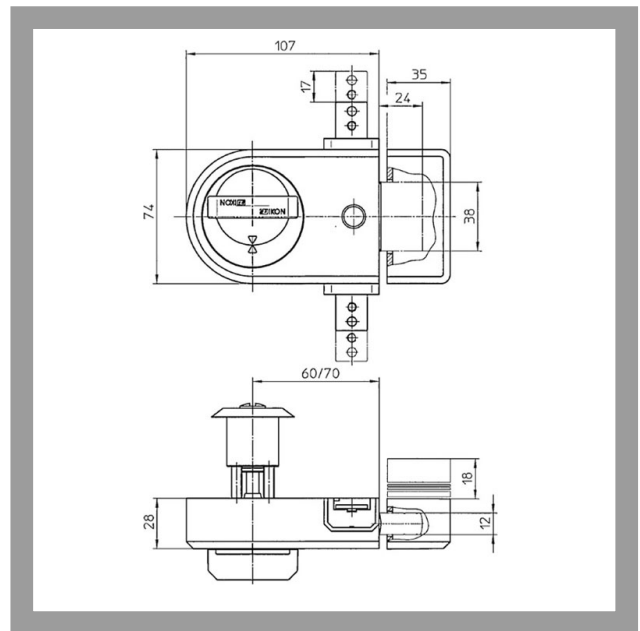
IKON multiple locking systems are generally used on house, apartment and other entrance doors in combination with locking cylinders, mortise locks and security fittings fitted to the door leaf (in contrast to multipoint locking systems integrated in the door leaf). IKON multiple locking systems are available for different DIN door directions, for rebated and non-rebated doors depending on the insulation situation and easy to mount. The integrated locking cylinder is available in different design variants (e.g. drilling protection). Several IKON locking cylinders (e.g. double cylinders for the house entrance door and locking cylinders for the rim lock) are available as keyed-alike versions.




ASSA ABLOY, the global leader
in door opening solutions

Z261 Drive unit for multiple locking system - system SK6

With external cylinder .063



Product description

- Visual locking display (green/red)
- Standard finish silver grey (FB=SGR)
- Other colours: brown (FB=BN) and white (FB=WS)
- With drilling protection for lock cases
- Die-cast anti-corrosive zinc lock case
- Bolt projection via rods, single turn, 17mm
- Rods and rod covers for door height up to 240cm (1x approx. 1000mm + 1x approx. 1400mm)
- Brass lateral bolt, solid, double turn, 24mm projection
- AUS=AT240 for single and double-leaf doors with profile and/or door stop
- Adjustable backset 60/70mm
- For rebated and non-rebated doors
- Suitable for DIN left (S=R) or DIN right (S=L)
- Brass cylinder
- 6 pin tumblers
- Standard finish, satin nickel-plated (OF=MV)
- Other surfaces: brass, mat brushed (OF=MG), polished brass (OF=MP)
- Drilling protection (AB=), emergency equipment (GE=), locking wave (SW=), additional lateral scanning, security card depending on profile (PR=)
- Spherical cylinder core head with reinforced key guide
- Core pins made of special wear-resistant bronze
- RAL quality symbol, DIN class, depending on profile (PR=)

Accessories/Individual parts

- Bolt for multiple locking system 1080
- Bolt set 1081
- Bolt set 1083
- Shim for lock case 1949
- Drilling protection for lock cases 1920
- Cylinder cover 1086
- Cylinder cover 1087
- Strike plate for lock case 1938,VAR=1475168
- Strike plate 1938,VAR=1475173
- Strike plate for lock case with angle 1938,VAR=1485433

Scope of delivery

- 1 drive unit
- 1 external cylinder .063
- 1 drilling protection for lock case 1920
- 3 nickel silver keys
- Lock case shims (2x 1mm und 2x 3mm) for height adjustment up to 18mm
- 1 set connection components 1954,AUS=TH240

ZIKON
ASSA ABLOY

Z261 Drive unit for multiple locking system - system SK6

With external cylinder .063

Current profiles for individual locking

| Profile (PR=) | Blocking cam profile Vector ...NP | Blocking rib profile Vector 1RP04 |
|---|--|--|
| Profile version | 72 | 76 |
| With security card included | Yes | Yes |
| Drilling protection (AB=) | 2 | 2 |
| Emergency device (GE=) | BS | BS |
| Locking wave (SW=) | - | - |
| VdS class | Class B | Class B+ |
| RAL quality symbol | Yes | Yes |
| DIN class | Class 82 | Class 82 |
| Modular system (GBK=) | optional | - |
| Additional lateral pins | 2+2 | 2+2 |
| Factory-keyed profile/Client profile | Client profile | Factory-keyed profile |
| Key head shape | Square (colour clip optional) | Square |



ASSA ABLOY
Sicherheitstechnik GmbH
Goerzallee 299
14167 Berlin
berlin@assaabloy.de
Tel. +4930 8106-0
Fax +4930 8106-26 00
www.assaabloy.de

ASSA ABLOY, the global leader
in door opening solutions

Z261 Drive unit for multiple locking system - system SK6

With external cylinder .063

Current profiles for locking system

| Profilobergruppe | Locking wave undercut | Multiprofile | Vector profile 1st security level | Vector profile 2nd security level |
|--------------------------------|---|---|---|---|
| Profile version | 11 | 14 | 15 | 16 |
| With security card | Yes | Yes | Yes | Yes |
| Llocking system (AA=) | GH, H | GH, H, KHZ,Z,ZUE | GH, H, KHZ,Z,ZUE | GH, H,KHZ,Z,ZUE |
| Key head shape | Round | Square with (colour clip | Square | Square |
| possible equipment | | | | |
| Drilling protection (AB=) | optional | optional | optional | optional |
| Emergency device (GE=) | optional | optional | optional | optional |
| Locking wave (SW=) | 1 | - | - | - |
| VdS class | optional (after having technical examined) | optional (after having technical examined) | optional (after having technical examined) | optional (after having technical examined) |
| Additional lateral pins | pins+strip | pins+strip | pins | pins+strip |
| standard equipment | Profiles for general master key system and master key system | Separate profiles general master key systems, master key systems and central locking systems | Separate profiles general master key systems, master key systems and central locking systems | Separate profiles general master key systems, master key systems and central locking systems |
| | 10 spring-loaded actively operating tumblers meeting DIN EN1303/2006 and DIN 18252/2006 | 6 spring loaded, active tumblers complying with DIN EN 1303/2006 and/or DIN 18 252/2006 | 6 gefederte, aktiv wirkende Zuhaltungen nach DIN EN 1303/2005 bzw. nach DIN 18 252/2006 | 6 gefederte, aktiv wirkende Zuhaltungen nach DIN EN 1303/2005 bzw. nach DIN 18 252/2006 |
| | Paracentric key profiles with additional encoded locking wave | Keys with combination metal and pvc grip | Paracentric key profile | Paracentric key profiles with additional encoded locking wave |
| | DIN EN 1303 locking security rating 6, attack resistance 0, optional drilling and extraction protection class 2 | DIN EN 1303 locking security rating 6, attack resistance 0, optional drilling and extraction protection class 2 | DIN EN 1303 locking security rating 6, attack resistance 0, optional drilling and extraction protection class 2 | DIN EN 1303 locking security rating 6, attack resistance 0, optional drilling and extraction protection class 2 |
| | DIN 18 252 / 2006 Class 80 | DIN 18 252 / 2006 Class 80 | DIN 18 252 / 2006 Class 80 | DIN 18 252 / 2006 Class 80 |
| | DIN class 82 certification with drilling protection optional, extraction protection on request | DIN class 82 certification with drilling protection optional, extraction protection on request | DIN class 82 certification with drilling protection optional, extraction protection on request | DIN class 82 certification with drilling protection optional, extraction protection on request |
| | Optional VdS approval, class B, with drilling protection, optionally available with extraction protection | Optional VdS approval, class B, with drilling protection, optionally available with extraction protection | Optional VdS approval, class B, with drilling protection, optionally available with extraction protection | Optional VdS approval, class B, with drilling protection, optionally available with extraction protection |



ASSA ABLOY
Sicherheitstechnik GmbH
Goerzallee 299
14167 Berlin
berlin@assaabloy.de
Tel. +4930 8106-0
Fax +4930 8106-26 00
www.assaabloy.de

ASSA ABLOY, the global leader
in door opening solutions