

Z315,AUS=LH27 Cylinder padlock - system SK6

Mechanical locking cylinders

Padlocks



A padlock enables you to protect valuables inside and outside a building. IKON provides optimum security - conveniently and safely. IKON padlocks can be employed flexibly and are ideal for securing valuables, even in remote locations. They are available for internal use and as corrosion protected versions for external use. IKON can supply a wide range of padlocks (e.g. as numerical combination locks or padlocks with variable shackle heights for different applications).

Area of Application

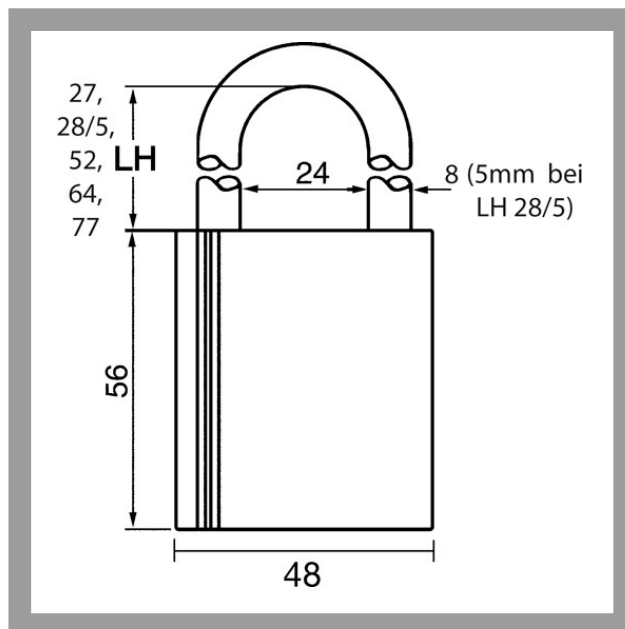
Different IKON padlock versions provide the best solution for every application. IKON padlocks are especially suitable for locking cellars and basements, stables and small gardens, tool sheds and boat houses or wardrobes. Tool trolleys, building vehicles and trailers or oil tank and machine protection equipment is also ideally secured with IKON padlocks. Their weather resistance also makes them ideal for external use on boats or vehicles.


ASSA ABLOY

ASSA ABLOY, the global leader
in door opening solutions

Z315,AUS=LH27 Cylinder padlock - system SK6

With positive locking - key can only be extracted when locked



Product description

- 6 pin tumblers
- Brass cylinder
- Brass housing
- Matt chrome-plated surface
- Standard housing colour black chrome
- Clear vertical shackle height 27 mm
- Other shackle heights (AUS=LH52, 64, 77, 28/5)
- Steel shackle, diameter 8mm, hardened and chrome-plated
- Steel shackle diameter 5mm at shackle height 28mm (AUS=LH28/5), hardened and chrome-plated
- Available for individual lockings and locking systems
- Available for stand-alone locks with registered and restricted locking (AA=SP) and registration card (proof of ownership)
- Available for locking systems in different system types (AA=...)
- Locking wave (SW=), additional lateral scanning and security card depending on profile (PR=)
- Spherical cylinder core head with reinforced key guide
- Core pins made of special wear-resistant bronze

Compatible ASSA ABLOY products

- Steel cable without padlock 9M74
- Maintenance spray 8511

Scope of delivery

- 1 cylinder padlock
- 2 nickel silver keys



Z315,AUS=LH27 Cylinder padlock - system SK6

With positive locking - key can only be extracted when locked

Current profiles for individual locking

Profile (PR=)	Blocking cam profile Vector ...NP	Flat profile Vector FP04	Blocking rib profile Vector 1RP04
Profile version	72	79	76
With security card	Yes	Yes	Yes
included			
Drilling protection (AB=)	2	2	2
Emergency device (GE=)	BS	BS	BS
Locking wave (SW=)	-	-	-
VdS class	Class B	Class B	Class B+
RAL quality symbol	Yes	Yes	Yes
DIN class	Class 82	Class 82	Class 82
Modular system (GBK=)	optional	-	-
Additional lateral pins	2+2	-	2+2
Factory-keyed profile/Client profile	Client profile	Factory-keyed profile	Factory-keyed profile
Key head shape	Square (colour clip optional)	Square	Square



ASSA ABLOY
Sicherheitstechnik GmbH
Goerzallee 299
14167 Berlin
berlin@assaabloy.de
Tel. +4930 8106-0
Fax +4930 8106-26 00
www.assaabloy.de

ASSA ABLOY, the global leader
in door opening solutions

Z315,AUS=LH27 Cylinder padlock - system SK6

With positive locking - key can only be extracted when locked

Current profiles for locking system

Profilobergruppe	Locking wave undercut	Multiprofile	Vector profile 1st security level	Vector profile 2nd security level
Profile version	11	14	15	16
With security card	Yes	Yes	Yes	Yes
Llocking system (AA=)	GH, H	GH, H, KH,Z,Z,ZUE	GH, H, KH,Z,Z,ZUE	GH, H,KH,Z,Z,ZUE
Key head shape	Round	Square with (colour clip	Square	Square
possible equipment				
Drilling protection (AB=)	optional	optional	optional	optional
Emergency device (GE=)	optional	optional	optional	optional
Locking wave (SW=)	1	-	-	-
VdS class	optional (after having technical examined)	optional (after having technical examined)	optional (after having technical examined)	optional (after having technical examined)
Additional lateral pins	pins+strip	pins+strip	pins	pins+strip
standard equipment	Profiles for general master key system and master key system	Separate profiles general master key systems, master key systems and central locking systems	Separate profiles general master key systems, master key systems and central locking systems	Separate profiles general master key systems, master key systems and central locking systems
	10 spring-loaded actively operating tumblers meeting DIN EN1303/2006 and DIN 18252/2006	6 spring loaded, active tumblers complying with DIN EN 1303/2006 and/or DIN 18 252/2006	6 gefederte, aktiv wirkende Zuhaltungen nach DIN EN 1303/2005 bzw. nach DIN 18 252/2006	6 gefederte, aktiv wirkende Zuhaltungen nach DIN EN 1303/2005 bzw. nach DIN 18 252/2006
	Paracentric key profiles with additional encoded locking wave	Keys with combination metal and pvc grip	Paracentric key profile	Paracentric key profiles with additional encoded locking wave
	DIN EN 1303 locking security rating 6, attack resistance 0, optional drilling and extraction protection class 2	DIN EN 1303 locking security rating 6, attack resistance 0, optional drilling and extraction protection class 2	DIN EN 1303 locking security rating 6, attack resistance 0, optional drilling and extraction protection class 2	DIN EN 1303 locking security rating 6, attack resistance 0, optional drilling and extraction protection class 2
	DIN 18 252 / 2006 Class 80	DIN 18 252 / 2006 Class 80	DIN 18 252 / 2006 Class 80	DIN 18 252 / 2006 Class 80
	DIN class 82 certification with drilling protection optional, extraction protection on request	DIN class 82 certification with drilling protection optional, extraction protection on request	DIN class 82 certification with drilling protection optional, extraction protection on request	DIN class 82 certification with drilling protection optional, extraction protection on request
	Optional VdS approval, class B, with drilling protection, optionally available with extraction protection	Optional VdS approval, class B, with drilling protection, optionally available with extraction protection	Optional VdS approval, class B, with drilling protection, optionally available with extraction protection	Optional VdS approval, class B, with drilling protection, optionally available with extraction protection



ASSA ABLOY
Sicherheitstechnik GmbH
Goerzallee 299
14167 Berlin
berlin@assaabloy.de
Tel. +4930 8106-0
Fax +4930 8106-26 00
www.assaabloy.de

ASSA ABLOY, the global leader
in door opening solutions