

# Z426 Furniture push- in cylinder - system SK6

Mechanical locking cylinders

Furniture cylinders and locks



29mm diameter for wooden sliding doors



Locking cylinders form the core element of secure locking systems and represent IKON's core competency. The product range meets challenging security requirements with sophisticated solutions. High-quality IKON locking cylinders provide high protection against intruders. Standard equipment in this respect includes anti-drilling devices, security cards and panic functions. Patented profiles are a direct result of decades of experience gained in precision engineering and are effectively equipped against even the latest intrusion or burglary techniques. These features include innovative VECTOR profiles and the IKON reversible key profile WSW-W10.

## Area of Application

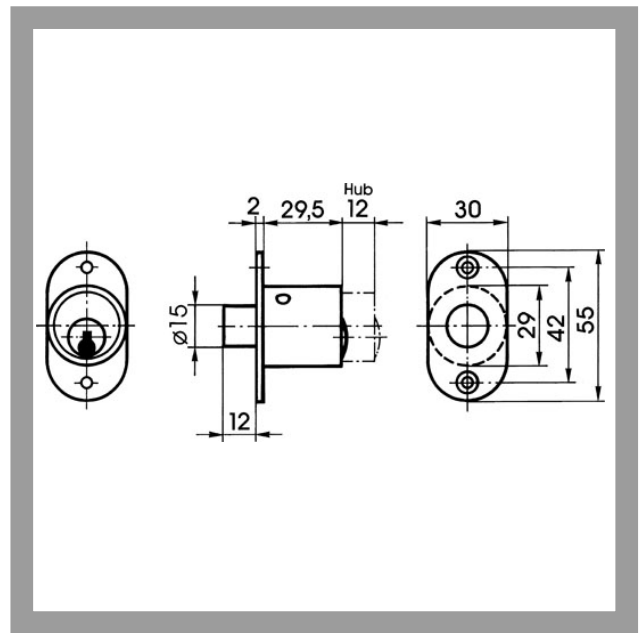
Furniture cylinders are used in conjunction with IKON furniture locks. Furniture cylinders can, depending on the version, be integrated in locking systems.

**ZIKON**  
ASSA ABLOY

ASSA ABLOY, the global leader  
in door opening solutions

# Z426 Furniture push- in cylinder - system SK6

29mm diameter for wooden sliding doors



## Product description

- 6 pin tumblers
- Brass cylinder
- Standard finish, satin nickel-plated (OF=MV)
- Other surfaces: satin nickel-plated (OF=MV), brass, mat brushed (OF=MG), polished brass (OF=MP)
- Extended round bolt at rear
- Lock actuated by pressing in cylinder
- Unlocking with key
- Key withdrawal in both end positions
- Available for individual lockings and locking systems
- Locking wave (SW=), additional lateral scanning and security card depending on profile (PR=)
- Spherical cylinder core head with reinforced key guide
- Core pins made of special wear-resistant bronze

## Compatible ASSA ABLOY products

- Maintenance spray 8511

## Scope of delivery

- 1 furniture push-in cylinder
- 2 nickel silver keys
- 1 escutcheon



# Z426 Furniture push- in cylinder - system SK6

29mm diameter for wooden sliding doors

Current profiles for individual locking

Profile (PR=)	Blocking rib profile Vector 1RP04	Flat profile Vector FP04	Blocking cam profile Vector ...NP
<b>Profile version</b>	76	79	72
<b>With security card</b>	Yes	Yes	Yes
<b>included</b>			
Drilling protection (AB=)	2	2	2
Emergency device (GE=)	BS	BS	BS
Locking wave (SW=)	-	-	-
VdS class	Class B+	Class B	Class B
RAL quality symbol	Yes	Yes	Yes
DIN class	Class 82	Class 82	Class 82
<b>Modular system (GBK=)</b>	-	-	optional
<b>Additional lateral pins</b>	2+2	-	2+2
<b>Factory-keyed profile/Client profile</b>	Factory-keyed profile	Factory-keyed profile	Client profile
<b>Key head shape</b>	Square	Square	Square (colour clip optional)



ASSA ABLOY  
Sicherheitstechnik GmbH  
Goerzallee 299  
14167 Berlin  
berlin@assaabloy.de  
Tel. +4930 8106-0  
Fax +4930 8106-26 00  
www.assaabloy.de

ASSA ABLOY, the global leader  
in door opening solutions

# Z426 Furniture push- in cylinder - system SK6

29mm diameter for wooden sliding doors

Current profiles for locking system

Profilobergruppe	Locking wave undercut	Multiprofile	Vector profile 1st security level
<b>Profile version</b>	11	14	15
<b>With security card</b>	Yes	Yes	Yes
<b>Llocking system (AA=)</b>	GH, H	GH, H, KHZ,Z,ZUE	GH, H, KHZ,Z,ZUE
<b>Key head shape</b>	Round	Square with (colour clip	Square
<b>possible equipment</b>			
Drilling protection (AB=)	optional	optional	optional
Emergency device (GE=)	optional	optional	optional
Locking wave (SW=)	1	-	-
VdS class	optional (after having technical examined)	optional (after having technical examined)	optional (after having technical examined)
<b>Additional lateral pins</b>	pins+strip	pins+strip	pins
<b>standard equipment</b>	Profiles for general master key system and master key system	Separate profiles general master key systems, master key systems and central locking systems	Separate profiles general master key systems, master key systems and central locking systems
	10 spring-loaded actively operating tumblers meeting DIN EN1303/2006 and DIN 18252/2006	6 spring loaded, active tumblers complying with DIN EN 1303/2006 and/or DIN 18 252/2006	6 gefederte, aktiv wirkende Zuhaltungen nach DIN EN 1303/2005 bzw. nach DIN 18 252/2006
	Paracentric key profiles with additional encoded locking wave	Keys with combination metal and pvc grip	Paracentric key profile
	DIN EN 1303 locking security rating 6, attack resistance 0, optional drilling and extraction protection class 2	DIN EN 1303 locking security rating 6, attack resistance 0, optional drilling and extraction protection class 2	DIN EN 1303 locking security rating 6, attack resistance 0, optional drilling and extraction protection class 2
	DIN 18 252 / 2006 Class 80	DIN 18 252 / 2006 Class 80	DIN 18 252 / 2006 Class 80
	DIN class 82 certification with drilling protection optional, extraction protection on request	DIN class 82 certification with drilling protection optional, extraction protection on request	DIN class 82 certification with drilling protection optional, extraction protection on request
	Optional VdS approval, class B, with drilling protection, optionally available with extraction protection	Optional VdS approval, class B, with drilling protection, optionally available with extraction protection	Optional VdS approval, class B, with drilling protection, optionally available with extraction protection



ASSA ABLOY  
Sicherheitstechnik GmbH  
Goerzallee 299  
14167 Berlin  
berlin@assaabloy.de  
Tel. +4930 8106-0  
Fax +4930 8106-26 00  
www.assaabloy.de

ASSA ABLOY, the global leader  
in door opening solutions