

Z449,AUS=E29- 34 Universal locking lever cylinder with adjustable lever distance - system SK6

Mechanical locking cylinders

Locking lever cylinder

30mm diameter, laterally flattened to 22mm



Locking cylinders form the core element of secure locking systems and represent IKON's core competency. The product range meets challenging security requirements with sophisticated solutions. High-quality IKON locking cylinders provide high protection against intruders. Standard equipment in this respect includes anti-drilling devices, security cards and panic functions. Patented profiles are a direct result of decades of experience gained in precision engineering and are effectively equipped against even the latest intrusion or burglary techniques. These features include innovative VECTOR profiles and the IKON reversible key profile WSW-W10.

Area of Application

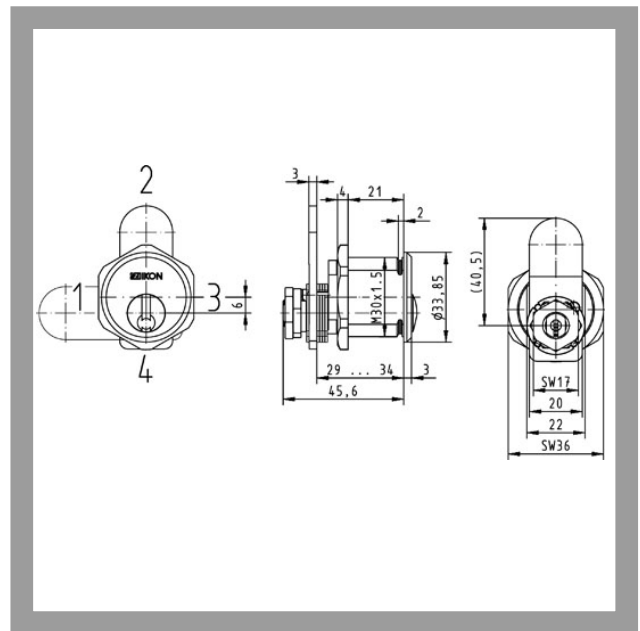
Locking lever cylinders are mainly used for letterboxes, vending machines, control cabinets, haunch flaps, wardrobe lockers or security lockers. IKON supplies locking lever variants to suit different areas of application.

IKON
ASSA ABLOY

ASSA ABLOY, the global leader
in door opening solutions

Z449,AUS=E29- 34 Universal locking lever cylinder with adjustable lever distance - system SK6

30mm diameter, laterally flattened to 22mm



Product description

- 6 pin tumblers
- Brass cylinder
- Standard finish, matt chrome-plated (OF=MC)
- Other surfaces: satin nickel-plated (OF=MV), brass, mat brushed (OF=MG), polished brass (OF=MP)
- Not available with drilling protection (AB=2)
- The lever distance can be variably adjusted by 1-5mm depending on the installation location. Bending the lever is no longer necessary.
- Locking lever SLHB= 1647004 (other locking levers available on request)
- Two locking lever end positions
- Locking lever path 90°
- Key rotation 360° (2 key retraction positions)
- Available for individual lockings and locking systems
- Drilling protection (AB=), locking wave (SW=), additional lateral scanning, security card depending on profile (PR=)
- Spherical cylinder core head with reinforced key guide
- Core pins made of special wear-resistant bronze
- Fixing with M30x1.5 housing nut
- Locking direction of locking lever must be specified when ordering

Accessories/Individual parts

- Shim (gap filler) 1901,VAR=0160508
- Shim (gap filler) 1901,VAR=0160501
- Shim (gap filler) 1901,VAR=0160503
- Shim (gap filler) 1901,VAR=0160510
- Ring nut 1903,VAR=1656002

Compatible ASSA ABLOY products

- Escutcheon with rain protection cover 1254,AUS=1
- Maintenance spray 8511

Scope of delivery

- 1 locking lever cylinder
- 2 nickel silver keys
- 1 housing nut M30 x 1.5
- 1 installation kit 1915,AUS=SATZ 001 (2 locking lever nuts M10 x 0,75, 5 shim 1mm, 1 catchplate, 1 setscrew M2,5 x 10)

ZIKON
ASSA ABLOY

Z449,AUS=E29- 34 Universal locking lever cylinder with adjustable lever distance - system SK6

30mm diameter, laterally flattened to 22mm

Current profiles for individual locking

Profile (PR=)	Blocking cam profile Vector ...NP	Flat profile Vector FP04
Profile version	72	79
With security card included	Yes	Yes
Drilling protection (AB=)	2	2
Emergency device (GE=)	BS	BS
Locking wave (SW=)	-	-
VdS class	Class B	Class B
RAL quality symbol	Yes	Yes
DIN class	Class 82	Class 82
Modular system (GBK=)	optional	-
Additional lateral pins	2+2	-
Factory-keyed profile/Client profile	Client profile	Factory-keyed profile
Key head shape	Square (colour clip optional)	Square



ASSA ABLOY
Sicherheitstechnik GmbH
Goerzallee 299
14167 Berlin
berlin@assaabloy.de
Tel. +4930 8106-0
Fax +4930 8106-26 00
www.assaabloy.de

ASSA ABLOY, the global leader
in door opening solutions

Z449,AUS=E29- 34 Universal locking lever cylinder with adjustable lever distance - system SK6

30mm diameter, laterally flattened to 22mm

Current profiles for locking system

Profilobergruppe	Locking wave undercut	Vector profile 1st security level	Multiprofile
Profile version	11	15	14
With security card	Yes	Yes	Yes
Locking system (AA=)	GH, H	GH, H, KHZ,Z,ZUE	GH, H, KHZ,Z,ZUE
Key head shape	Round	Square	Square with (colour clip)
possible equipment			
Drilling protection (AB=)	optional	optional	optional
Emergency device (GE=)	optional	optional	optional
Locking wave (SW=)	1	-	-
VdS class	optional (after having technical examined)	optional (after having technical examined)	optional (after having technical examined)
Additional lateral pins	pins+strip	pins	pins+strip
standard equipment	Profiles for general master key system and master key system	Separate profiles general master key systems, master key systems and central locking systems	Separate profiles general master key systems, master key systems and central locking systems
	10 spring-loaded actively operating tumblers meeting DIN EN1303/2006 and DIN 18252/2006	6 gefederte, aktiv wirkende Zuhaltungen nach DIN EN 1303/2005 bzw. nach DIN 18 252/2006	6 spring loaded, active tumblers complying with DIN EN 1303/2006 and/or DIN 18 252/2006
	Paracentric key profiles with additional encoded locking wave	Paracentric key profile	Keys with combination metal and pvc grip
	DIN EN 1303 locking security rating 6, attack resistance 0, optional drilling and extraction protection class 2 DIN 18 252 / 2006 Class 80	DIN EN 1303 locking security rating 6, attack resistance 0, optional drilling and extraction protection class 2 DIN 18 252 / 2006 Class 80	DIN EN 1303 locking security rating 6, attack resistance 0, optional drilling and extraction protection class 2 DIN 18 252 / 2006 Class 80
	DIN class 82 certification with drilling protection optional, extraction protection on request	DIN class 82 certification with drilling protection optional, extraction protection on request	DIN class 82 certification with drilling protection optional, extraction protection on request
	Optional VdS approval, class B, with drilling protection, optionally available with extraction protection	Optional VdS approval, class B, with drilling protection, optionally available with extraction protection	Optional VdS approval, class B, with drilling protection, optionally available with extraction protection



ASSA ABLOY
Sicherheitstechnik GmbH
Goerzallee 299
14167 Berlin
berlin@assaabloy.de
Tel. +4930 8106-0
Fax +4930 8106-26 00
www.assaabloy.de

ASSA ABLOY, the global leader
in door opening solutions