

Z511 Switching cylinder - system SK6

Mechanical locking cylinders

Switching cylinder

30mm diameter, laterally flattened to 22mm



Locking cylinders form the core element of secure locking systems and represent IKON's core competency. The product range meets challenging security requirements with sophisticated solutions. High-quality IKON locking cylinders provide high protection against intruders. Standard equipment in this respect includes anti-drilling devices, security cards and panic functions. Patented profiles are a direct result of decades of experience gained in precision engineering and are effectively equipped against even the latest intrusion or burglary techniques. These features include innovative VECTOR profiles and the IKON reversible key profile WSW-W10.

Area of Application

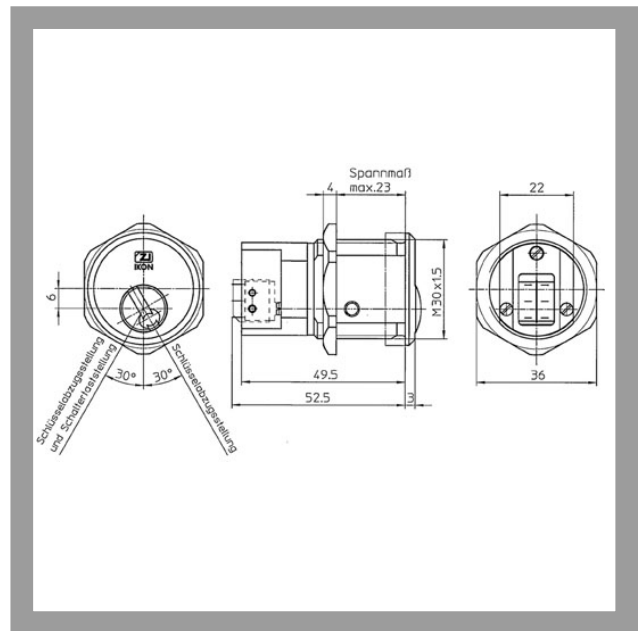
Switching cylinders are mainly used for electrical equipment, switching systems or lift controls. IKON supplies different switch cylinder versions to suit various areas of application.


ASSA ABLOY

ASSA ABLOY, the global leader
in door opening solutions

Z511 Switching cylinder - system SK6

30mm diameter, laterally flattened to 22mm



Product description

- 6 pin tumblers
- Brass cylinder
- Standard finish, satin nickel-plated (OF=MV)
- Other surfaces: brass, mat brushed (OF=MG), polished brass (OF=MP)
- Switching cylinder with 2 key withdrawal positions
- Two microswitches F477 (Burgess) (VAC 250 V/ resistive load 5A, VAC 250 V/ inductive load 0.5 A)
- Key rotation 60°
- A rotation actuates switching device (e.g. underground car parks, etc.).
- Available for stand-alone locks
- Spherical cylinder core head with reinforced key guide

Scope of delivery

- 1 switching cylinder
- 2 nickel silver keys

ZIKON
ASSA ABLOY

Z511 Switching cylinder - system SK6

30mm diameter, laterally flattened to
22mm

Current profiles for individual locking

Profile (PR=)	Blocking cam profile Vector ...NP	Blocking rib profile Vector 1RP04	Flat profile Vector FP04
Profile version	72	76	79
With security card included	Yes	Yes	Yes
Drilling protection (AB=)	2	2	2
Emergency device (GE=)	BS	BS	BS
Locking wave (SW=)	-	-	-
VdS class	Class B	Class B+	Class B
RAL quality symbol	Yes	Yes	Yes
DIN class	Class 82	Class 82	Class 82
Modular system (GBK=)	optional	-	-
Additional lateral pins	2+2	2+2	-
Factory-keyed profile/Client profile	Client profile	Factory-keyed profile	Factory-keyed profile
Key head shape	Square (colour clip optional)	Square	Square



ASSA ABLOY
Sicherheitstechnik GmbH
Goerzallee 299
14167 Berlin
berlin@assaabloy.de
Tel. +4930 8106-0
Fax +4930 8106-26 00
www.assaabloy.de

ASSA ABLOY, the global leader
in door opening solutions