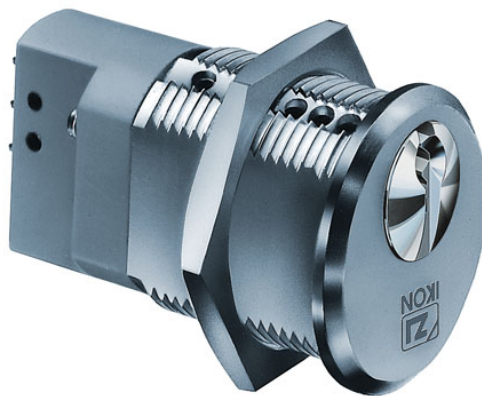


Z512 Switching cylinder - system SK6

Mechanical locking cylinders

Switching cylinder

30mm diameter, laterally flattened to 22mm



Locking cylinders form the core element of secure locking systems and represent IKON's core competency. The product range meets challenging security requirements with sophisticated solutions. High-quality IKON locking cylinders provide high protection against intruders. Standard equipment in this respect includes anti-drilling devices, security cards and panic functions. Patented profiles are a direct result of decades of experience gained in precision engineering and are effectively equipped against even the latest intrusion or burglary techniques. These features include innovative VECTOR profiles and the IKON reversible key profile WSW-W10.

Area of Application

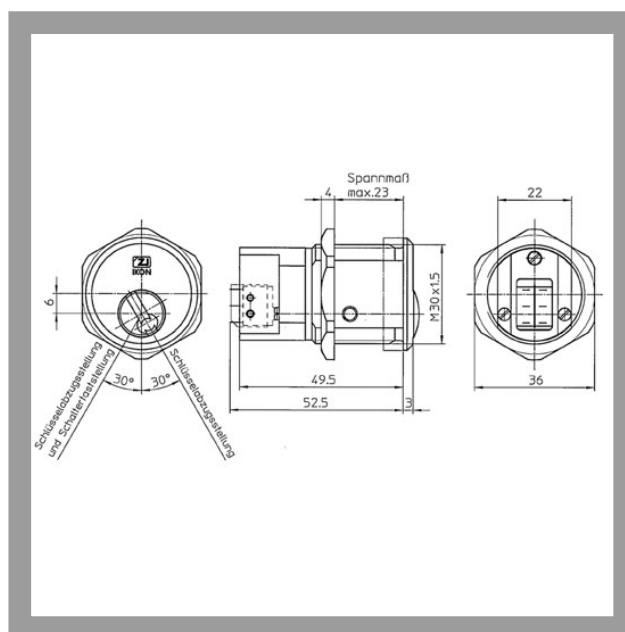
Switching cylinders are mainly used for electrical equipment, switching systems or lift controls. IKON supplies different switch cylinder versions to suit various areas of application.


ASSA ABLOY

ASSA ABLOY, the global leader
in door opening solutions

Z512 Switching cylinder - system SK6

30mm diameter, laterally flattened to 22mm



Product description

- 6 pin tumblers
- Brass cylinder
- Standard finish, satin nickel-plated (OF=MV)
- Other surfaces: brass, mat brushed (OF=MG), polished brass (OF=MP)
- Switching cylinder with 1 scanning and 1 key withdrawal position
- Two microswitches F477 (Burgess) (VAC 250 V/ resistive load 5A, VAC 250 V/ inductive load 0.5 A)
- Key rotation 60°
- A rotation actuates switching device (e.g. underground car parks, etc.).
- Available for individual lockings and locking systems
- Spherical cylinder core head with reinforced key guide

Scope of delivery

- 1 switching cylinder
- 2 nickel silver keys

ZIKON
ASSA ABLOY

ASSA ABLOY, the global leader
in door opening solutions

Z512 Switching cylinder - system SK6

30mm diameter, laterally flattened to
22mm

Current profiles for individual locking

| Profile (PR=) | Blocking rib profile Vector 1RP04 | Flat profile Vector FP04 | Blocking cam profile Vector ...NP |
|---|-----------------------------------|--------------------------|-----------------------------------|
| Profile version | 76 | 79 | 72 |
| With security card included | Yes | Yes | Yes |
| Drilling protection (AB=) | 2 | 2 | 2 |
| Emergency device (GE=) | BS | BS | BS |
| Locking wave (SW=) | - | - | - |
| VdS class | Class B+ | Class B | Class B |
| RAL quality symbol | Yes | Yes | Yes |
| DIN class | Class 82 | Class 82 | Class 82 |
| Modular system (GBK=) | - | - | optional |
| Additional lateral pins | 2+2 | - | 2+2 |
| Factory-keyed profile/Client profile | Factory-keyed profile | Factory-keyed profile | Client profile |
| Key head shape | Square | Square | Square (colour clip optional) |



ASSA ABLOY
Sicherheitstechnik GmbH
Goerzallee 299
14167 Berlin
berlin@assaabloy.de
Tel. +4930 8106-0
Fax +4930 8106-26 00
www.assaabloy.de

ASSA ABLOY, the global leader
in door opening solutions

Z512 Switching cylinder - system SK6

30mm diameter, laterally flattened to
22mm

Current profiles for locking system

| Profilobergruppe | Locking wave undercut | Multiprofile | Vector profile 1st security level | Vector profile 2nd security level |
|--------------------------------|---|---|---|---|
| Profile version | 11 | 14 | 15 | 16 |
| With security card | Yes | Yes | Yes | Yes |
| Locking system (AA=) | GH, H | GH, H, KH,Z,Z,ZUE | GH, H, KH,Z,Z,ZUE | GH, H,KH,Z,Z,ZUE |
| Key head shape | Round | Square with (colour clip) | Square | Square |
| possible equipment | | | | |
| Drilling protection (AB=) | optional | optional | optional | optional |
| Emergency device (GE=) | optional | optional | optional | optional |
| Locking wave (SW=) | 1 | - | - | - |
| VdS class | optional (after having technical examined) | optional (after having technical examined) | optional (after having technical examined) | optional (after having technical examined) |
| Additional lateral pins | pins+strip | pins+strip | pins | pins+strip |
| standard equipment | Profiles for general master key system and master key system | Separate profiles general master key systems, master key systems and central locking systems | Separate profiles general master key systems, master key systems and central locking systems | Separate profiles general master key systems, master key systems and central locking systems |
| | 10 spring-loaded actively operating tumblers meeting DIN EN1303/2006 and DIN 18252/2006 | 6 spring loaded, active tumblers complying with DIN EN 1303/2006 and/or DIN 18 252/2006 | 6 gefederte, aktiv wirkende Zuhaltungen nach DIN EN 1303/2005 bzw. nach DIN 18 252/2006 | 6 gefederte, aktiv wirkende Zuhaltungen nach DIN EN 1303/2005 bzw. nach DIN 18 252/2006 |
| | Paracentric key profiles with additional encoded locking wave | Keys with combination metal and pvc grip | Paracentric key profile | Paracentric key profiles with additional encoded locking wave |
| | DIN EN 1303 locking security rating 6, attack resistance 0, optional drilling and extraction protection class 2 DIN 18 252 / 2006 Class 80 | DIN EN 1303 locking security rating 6, attack resistance 0, optional drilling and extraction protection class 2 DIN 18 252 / 2006 Class 80 | DIN EN 1303 locking security rating 6, attack resistance 0, optional drilling and extraction protection class 2 DIN 18 252 / 2006 Class 80 | DIN EN 1303 locking security rating 6, attack resistance 0, optional drilling and extraction protection class 2 DIN 18 252 / 2006 Class 80 |
| | DIN class 82 certification with drilling protection optional, extraction protection on request | DIN class 82 certification with drilling protection optional, extraction protection on request | DIN class 82 certification with drilling protection optional, extraction protection on request | DIN class 82 certification with drilling protection optional, extraction protection on request |
| | Optional VdS approval, class B, with drilling protection, optionally available with extraction protection | Optional VdS approval, class B, with drilling protection, optionally available with extraction protection | Optional VdS approval, class B, with drilling protection, optionally available with extraction protection | Optional VdS approval, class B, with drilling protection, optionally available with extraction protection |



ASSA ABLOY
Sicherheitstechnik GmbH
Goerzallee 299
14167 Berlin
berlin@assaabloy.de
Tel. +4930 8106-0
Fax +4930 8106-26 00
www.assaabloy.de

ASSA ABLOY, the global leader
in door opening solutions