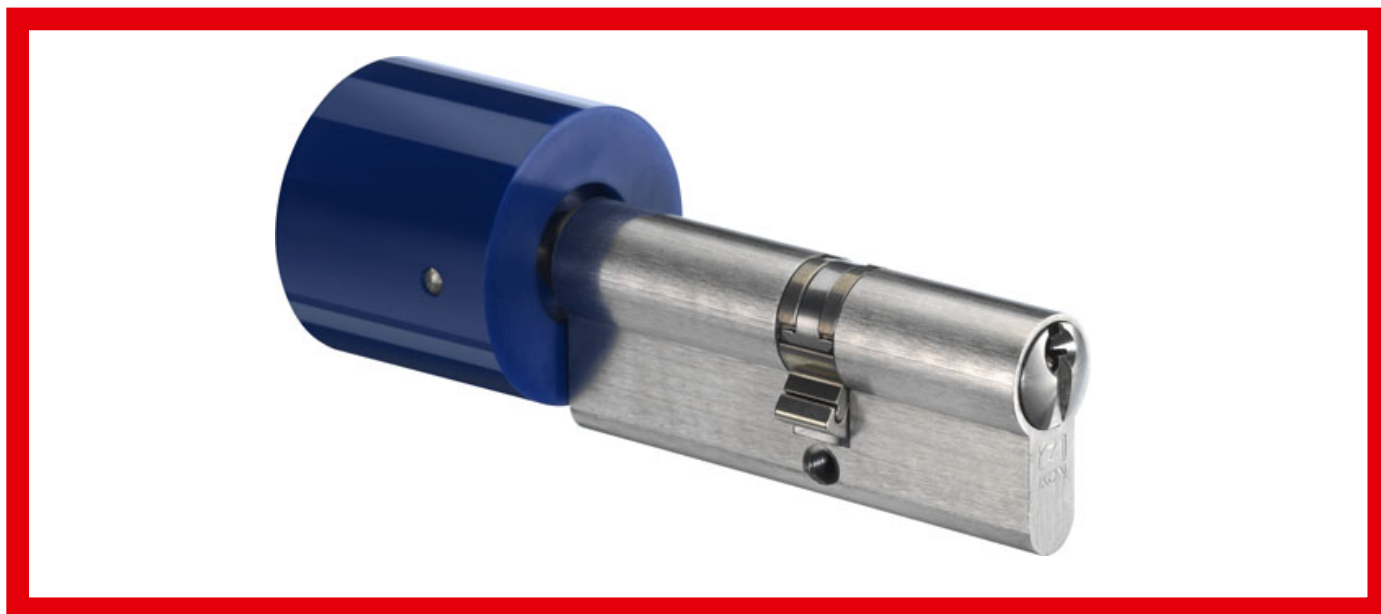


Z534,KNF=7 Knob cylinder - system SK6

Mechanical locking cylinders

Knob cylinder

Round nylon knob, 42mm diameter



Locking cylinders form the core element of secure locking systems and represent IKON's core competency. The product range meets challenging security requirements with sophisticated solutions. High-quality IKON locking cylinders provide high protection against intruders and a huge amount - related to the cylinder type - are certified to meet appropriate standards. Standard equipment in this respect includes anti-drilling devices, security cards and panic functions. Patented profiles are a direct result of decades of experience gained in precision engineering and are effectively equipped against even the latest intrusion or burglary techniques. These features include innovative VECTOR profiles and the IKON reversible key profile WSW-W10.

Area of Application

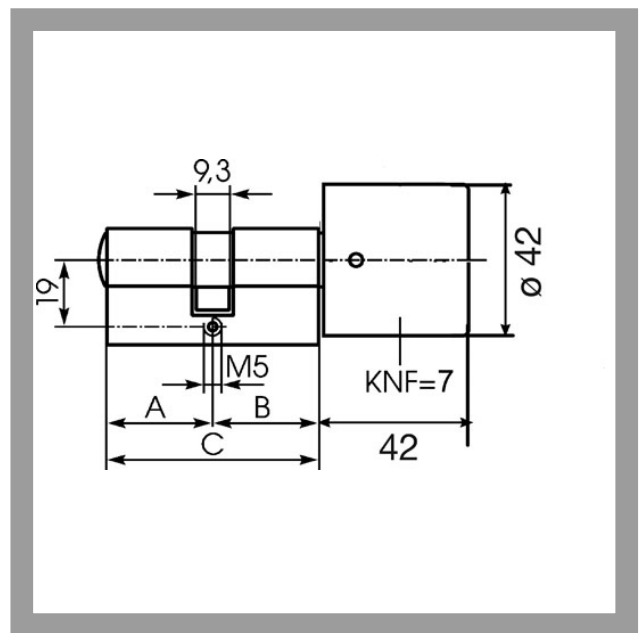
Knob cylinders are frequently used for conference rooms, hotels or care homes and apartment doors. The inner rotary knob is used for simple locking of the door, therefore a key is not required for indoors. IKON supplies different knob designs, ranging for knurled to recessed handle knobs. Due to their characteristics, knob cylinders are especially suitable and easily operated by the young and the elderly.


ASSA ABLOY

ASSA ABLOY, the global leader
in door opening solutions

Z534,KNF=7 Knob cylinder - system SK6

Round nylon knob, 42mm diameter



Product description

- 6 pin tumblers
- Brass cylinder
- Standard knob colour blue (KNF=7BL)
- Other knob colours: brown (KNF=7BN), yellow (KNF=7GE), red (KNF=7RT), dark blue (KNF=7DBL), green (KNF=7GN), white (KNF=7WS), dark green (KNF=7DGN), grey (KNF=7GR), black (KNF=7SW), dark red (KNF=7DRT), light grey (KNF=7LGR), silver (KNF=7F1)
- Standard finish, satin nickel-plated (OF=MV)
- Other surfaces: brass, mat brushed (OF=MG), polished brass (OF=MP)
- Basic cylinder length 61mm (C) - A/B (L=30/30) other installation lengths available
- Standard cam position (SST=30°)
- Knob shaft extension in mm (KWV=20, 30, 40, 50, 60, 70, 80, 90, 100)
- Available for individual lockings and locking systems
- Drilling protection class (AB=2), locking wave (SW=), additional lateral scanning, security card depending on profile (PR=)
- Certified and marking according to VdS B, DIN class 82 and RAL as standard
- Spherical cylinder core head with reinforced key guide
- Cam made of break and corrosion-resistant nickel silver profile
- Core pins made of special wear-resistant bronze

Accessories/Individual parts

- Cylinder fixing screw 1149

Compatible ASSA ABLOY products

- Maintenance spray 8511
- Garage rod lock standard package 9M31
- Protector bar DRS 8443
- Protector bar DRS 8444
- Protector bar DRS 8446
- Protector bar DRS 8447
- Protector bar DRS 8448
- Protector bar DRS 8449
- Escutcheon with rain protection cover 1279
- Escutcheon with rain protection cover and toggle lock 1288

Scope of delivery

- 1 knob cylinder
- 3 nickel silver keys
- 1 cylinder fixing screw M5 x 85mm

ZIKON
ASSA ABLOY

Z534,KNF=7 Knob cylinder - system SK6

Round nylon knob, 42mm diameter

Current profiles for individual locking

Profile (PR=)	Blocking cam profile Vector ...NP	Flat profile Vector FP04	Blocking rib profile Vector 1RP04
Profile version	72	79	76
With security card included	Yes	Yes	Yes
Drilling protection (AB=)	2	2	2
Emergency device (GE=)	BS	BS	BS
Locking wave (SW=)	-	-	-
VdS class	Class B	Class B	Class B+
RAL quality symbol	Yes	Yes	Yes
DIN class	Class 82	Class 82	Class 82
Modular system (GBK=)	optional	-	-
Additional lateral pins	2+2	-	2+2
Factory-keyed profile/Client profile	Client profile	Factory-keyed profile	Factory-keyed profile
Key head shape	Square (colour clip optional)	Square	Square



ASSA ABLOY
Sicherheitstechnik GmbH
Goerzallee 299
14167 Berlin
berlin@assaabloy.de
Tel. +4930 8106-0
Fax +4930 8106-26 00
www.assaabloy.de

ASSA ABLOY, the global leader
in door opening solutions

Z534,KNF=7 Knob cylinder - system SK6

Round nylon knob, 42mm diameter

Current profiles for locking system

Profilobergruppe	Locking wave undercut	Multiprofile	Vector profile 1st security level	Vector profile 2nd security level
Profile version	11	14	15	16
With security card	Yes	Yes	Yes	Yes
Llocking system (AA=)	GH, H	GH, H, KHZ,Z,ZUE	GH, H, KHZ,Z,ZUE	GH, H,KHZ,Z,ZUE
Key head shape	Round	Square with (colour clip	Square	Square
possible equipment				
Drilling protection (AB=)	optional	optional	optional	optional
Emergency device (GE=)	optional	optional	optional	optional
Locking wave (SW=)	1	-	-	-
VdS class	optional (after having technical examined)	optional (after having technical examined)	optional (after having technical examined)	optional (after having technical examined)
Additional lateral pins	pins+strip	pins+strip	pins	pins+strip
standard equipment	Profiles for general master key system and master key system	Separate profiles general master key systems, master key systems and central locking systems	Separate profiles general master key systems, master key systems and central locking systems	Separate profiles general master key systems, master key systems and central locking systems
	10 spring-loaded actively operating tumblers meeting DIN EN1303/2006 and DIN 18252/2006	6 spring loaded, active tumblers complying with DIN EN 1303/2006 and/or DIN 18 252/2006	6 gefederte, aktiv wirkende Zuhaltungen nach DIN EN 1303/2005 bzw. nach DIN 18 252/2006	6 gefederte, aktiv wirkende Zuhaltungen nach DIN EN 1303/2005 bzw. nach DIN 18 252/2006
	Paracentric key profiles with additional encoded locking wave	Keys with combination metal and pvc grip	Paracentric key profile	Paracentric key profiles with additional encoded locking wave
	DIN EN 1303 locking security rating 6, attack resistance 0, optional drilling and extraction protection class 2	DIN EN 1303 locking security rating 6, attack resistance 0, optional drilling and extraction protection class 2	DIN EN 1303 locking security rating 6, attack resistance 0, optional drilling and extraction protection class 2	DIN EN 1303 locking security rating 6, attack resistance 0, optional drilling and extraction protection class 2
	DIN 18 252 / 2006 Class 80	DIN 18 252 / 2006 Class 80	DIN 18 252 / 2006 Class 80	DIN 18 252 / 2006 Class 80
	DIN class 82 certification with drilling protection optional, extraction protection on request	DIN class 82 certification with drilling protection optional, extraction protection on request	DIN class 82 certification with drilling protection optional, extraction protection on request	DIN class 82 certification with drilling protection optional, extraction protection on request
	Optional VdS approval, class B, with drilling protection, optionally available with extraction protection	Optional VdS approval, class B, with drilling protection, optionally available with extraction protection	Optional VdS approval, class B, with drilling protection, optionally available with extraction protection	Optional VdS approval, class B, with drilling protection, optionally available with extraction protection



ASSA ABLOY
Sicherheitsstechnik GmbH
Goerzallee 299
14167 Berlin
berlin@assaabloy.de
Tel. +4930 8106-0
Fax +4930 8106-26 00
www.assaabloy.de

ASSA ABLOY, the global leader
in door opening solutions