

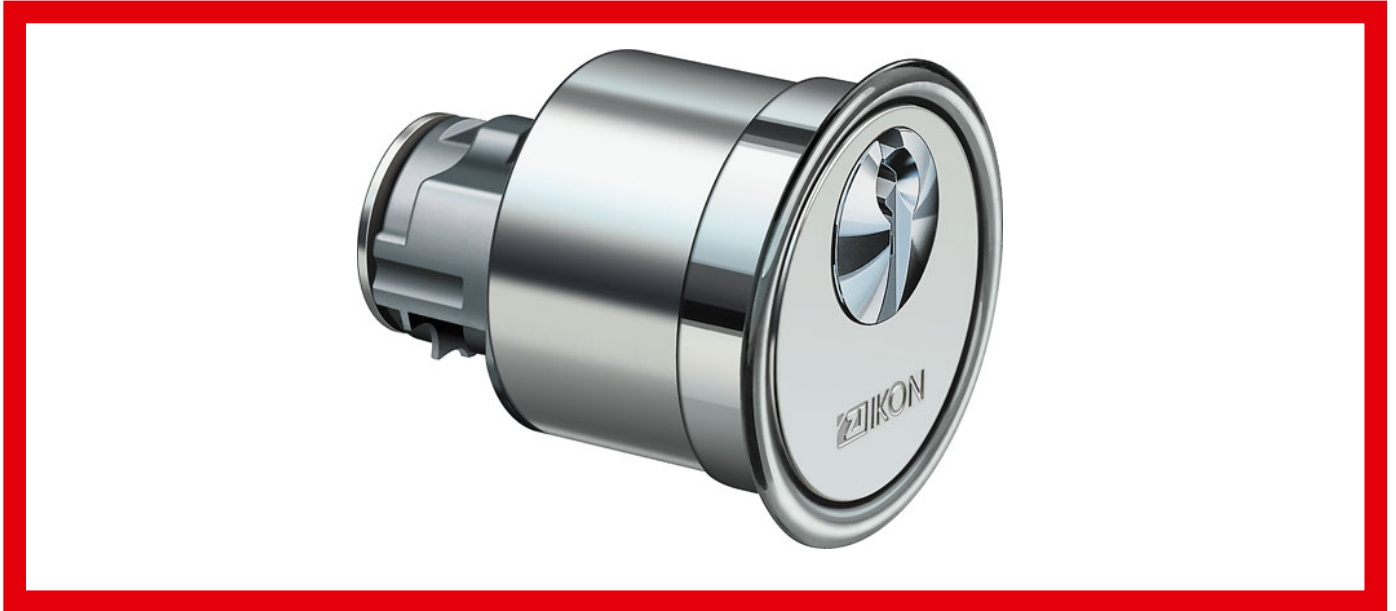
Z577,AUS=1 Furniture cylinder - system SK6

Mechanical locking cylinders

Furniture cylinders and locks



With adapter, 29mm diameter



Locking cylinders form the core element of secure locking systems and represent IKON's core competency. The product range meets challenging security requirements with sophisticated solutions. High-quality IKON locking cylinders provide high protection against intruders. Standard equipment in this respect includes anti-drilling devices, security cards and panic functions. Patented profiles are a direct result of decades of experience gained in precision engineering and are effectively equipped against even the latest intrusion or burglary techniques. These features include innovative VECTOR profiles and the IKON reversible key profile WSW-W10.

Area of Application

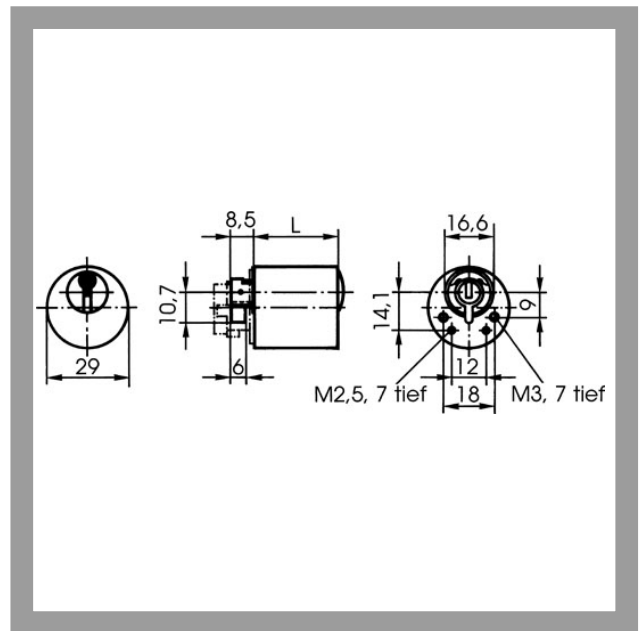
Furniture cylinders are used in conjunction with IKON furniture locks. Furniture cylinders can, depending on the version, be integrated in locking systems.

IKON
ASSA ABLOY

ASSA ABLOY, the global leader
in door opening solutions

Z577,AUS=1 Furniture cylinder - system SK6

With adapter, 29mm diameter



Product description

- 6 pin tumblers
- Brass cylinder
- Standard finish, satin nickel-plated (OF=MV)
- Other surfaces: brass, mat brushed (OF=MG), polished brass (OF=MP)
- Standard cylinder length L=A 30mm
- Available for individual lockings and locking systems
- Drilling protection (AB=), locking wave (SW=), additional lateral scanning, security card depending on profile (PR=)
- Spherical cylinder core head with reinforced key guide
- Core pins made of special wear-resistant bronze

Compatible ASSA ABLOY products

- Furniture bolt lock 8635
- Furniture espagnolette lock 8660
- Maintenance spray 8511

Scope of delivery

- 1 furniture cylinder
- 2 nickel silver keys (Articel P048 and P648 keys brass nickel-plated)
- 1 escutcheon

ZIKON
ASSA ABLOY

Z577,AUS=1 Furniture cylinder - system SK6

With adapter, 29mm diameter

Current profiles for individual locking

Profile (PR=)	Blocking cam profile Vector ...NP	Flat profile Vector FP04	Blocking rib profile Vector 1RP04
Profile version	72	79	76
With security card included	Yes	Yes	Yes
Drilling protection (AB=)	2	2	2
Emergency device (GE=)	BS	BS	BS
Locking wave (SW=)	-	-	-
VdS class	Class B	Class B	Class B+
RAL quality symbol	Yes	Yes	Yes
DIN class	Class 82	Class 82	Class 82
Modular system (GBK=)	optional	-	-
Additional lateral pins	2+2	-	2+2
Factory-keyed profile/Client profile	Client profile	Factory-keyed profile	Factory-keyed profile
Key head shape	Square (colour clip optional)	Square	Square



ASSA ABLOY
Sicherheitstechnik GmbH
Goerzallee 299
14167 Berlin
berlin@assaabloy.de
Tel. +4930 8106-0
Fax +4930 8106-26 00
www.assaabloy.de

ASSA ABLOY, the global leader
in door opening solutions

Z577,AUS=1 Furniture cylinder - system SK6

With adapter, 29mm diameter

Current profiles for locking system

Profilobergruppe	Locking wave undercut	Multiprofile	Vector profile 1st security level	Vector profile 2nd security level
Profile version	11	14	15	16
With security card	Yes	Yes	Yes	Yes
Llocking system (AA=)	GH, H	GH, H, KHZ,Z,ZUE	GH, H, KHZ,Z,ZUE	GH, H,KHZ,Z,ZUE
Key head shape	Round	Square with (colour clip	Square	Square
possible equipment				
Drilling protection (AB=)	optional	optional	optional	optional
Emergency device (GE=)	optional	optional	optional	optional
Locking wave (SW=)	1	-	-	-
VdS class	optional (after having technical examined)	optional (after having technical examined)	optional (after having technical examined)	optional (after having technical examined)
Additional lateral pins	pins+strip	pins+strip	pins	pins+strip
standard equipment	Profiles for general master key system and master key system	Separate profiles general master key systems, master key systems and central locking systems	Separate profiles general master key systems, master key systems and central locking systems	Separate profiles general master key systems, master key systems and central locking systems
	10 spring-loaded actively operating tumblers meeting DIN EN1303/2006 and DIN 18252/2006	6 spring loaded, active tumblers complying with DIN EN 1303/2006 and/or DIN 18 252/2006	6 gefederte, aktiv wirkende Zuhaltungen nach DIN EN 1303/2005 bzw. nach DIN 18 252/2006	6 gefederte, aktiv wirkende Zuhaltungen nach DIN EN 1303/2005 bzw. nach DIN 18 252/2006
	Paracentric key profiles with additional encoded locking wave	Keys with combination metal and pvc grip	Paracentric key profile	Paracentric key profiles with additional encoded locking wave
	DIN EN 1303 locking security rating 6, attack resistance 0, optional drilling and extraction protection class 2	DIN EN 1303 locking security rating 6, attack resistance 0, optional drilling and extraction protection class 2	DIN EN 1303 locking security rating 6, attack resistance 0, optional drilling and extraction protection class 2	DIN EN 1303 locking security rating 6, attack resistance 0, optional drilling and extraction protection class 2
	DIN 18 252 / 2006 Class 80	DIN 18 252 / 2006 Class 80	DIN 18 252 / 2006 Class 80	DIN 18 252 / 2006 Class 80
	DIN class 82 certification with drilling protection optional, extraction protection on request	DIN class 82 certification with drilling protection optional, extraction protection on request	DIN class 82 certification with drilling protection optional, extraction protection on request	DIN class 82 certification with drilling protection optional, extraction protection on request
	Optional VdS approval, class B, with drilling protection, optionally available with extraction protection	Optional VdS approval, class B, with drilling protection, optionally available with extraction protection	Optional VdS approval, class B, with drilling protection, optionally available with extraction protection	Optional VdS approval, class B, with drilling protection, optionally available with extraction protection



ASSA ABLOY
Sicherheits Technik GmbH
Goerzallee 299
14167 Berlin
berlin@assaabloy.de
Tel. +4930 8106-0
Fax +4930 8106-26 00
www.assaabloy.de

ASSA ABLOY, the global leader
in door opening solutions